

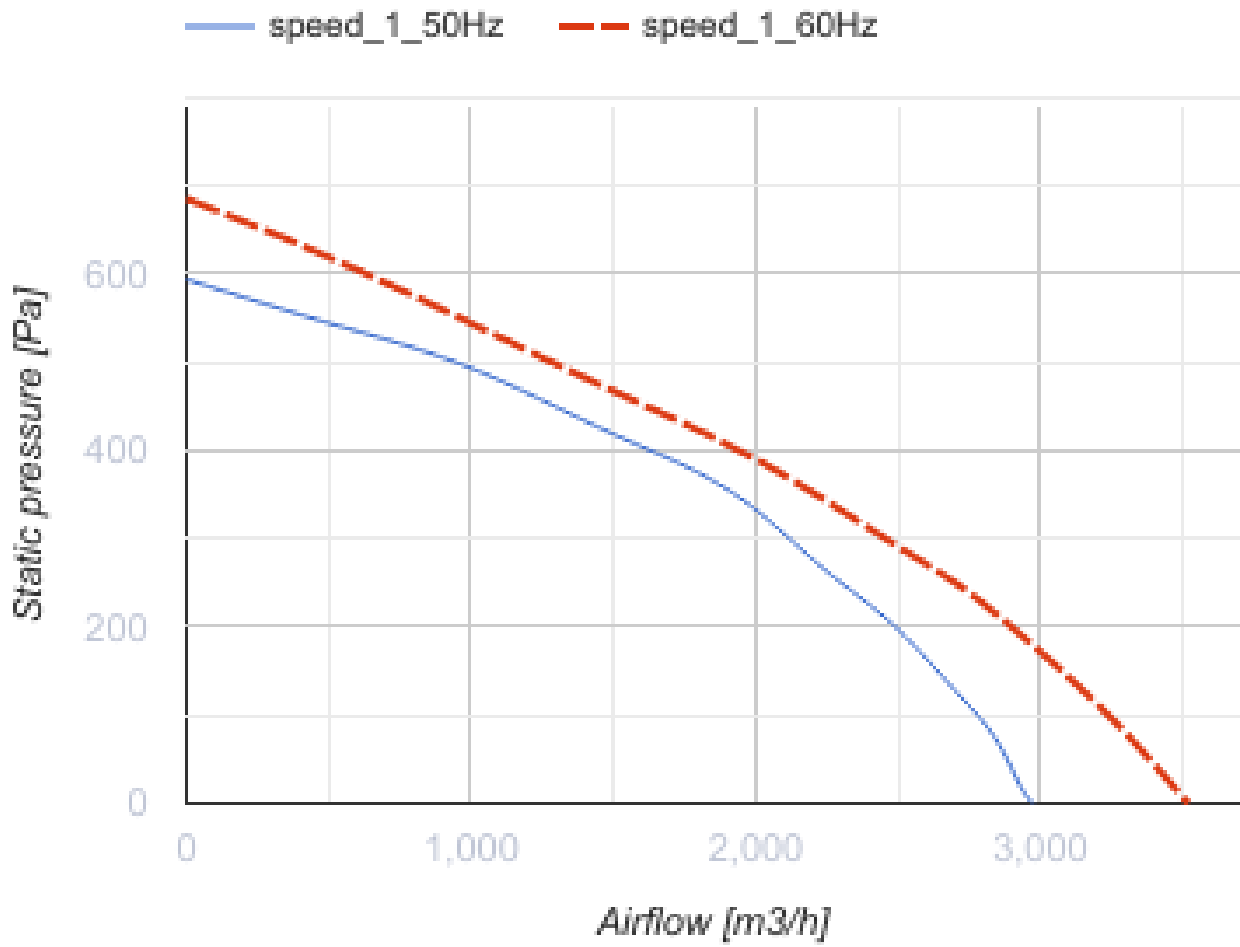


## Box 60x35 4E

Centrifugal inline fans with backward curved blades

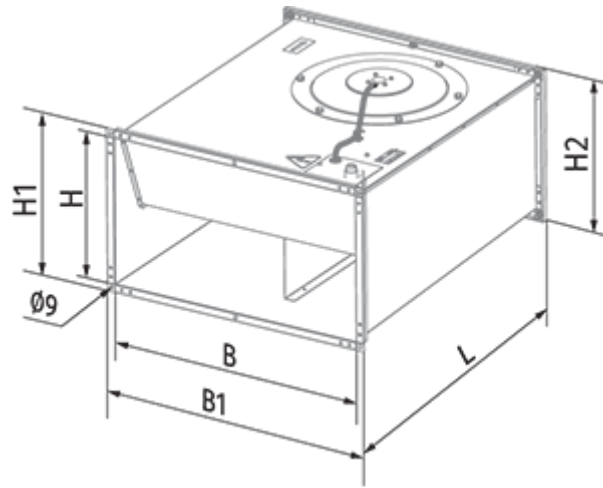
- Maximum airflow: 2950
- Sound pressure level LpA at 3 m: 52
- Motor type: AC
- Impeller type: Centrifugal backward curved blades
- Casing material: Galvanized steel
- Installation in any position

|  | Unit of measurement | Box 60x35 4E |
|--|---------------------|--------------|
| Connected air duct size                | mm                  | 600x350      |
| Minimum supply voltage                 | V                   | 220          |
| Maximum supply voltage                 | V                   | 240          |
| Power supply frequency                 | Hz                  | 50/60        |
| Rated power                            | W                   | 470          |
| Unit current                           | A                   | 2.37         |
| Maximum airflow                        | m <sup>3</sup> /h   | 2950         |
| Sound pressure level LpA at 3 m        | dB(A)               | 52           |
| Weight                                 | kg                  | 36.38        |
| Transported air temperature (max)      | °C                  | 80           |
| Transported air temperature (min)      | °C                  | -30          |
| Ingress protection rating              | -                   | IPX4         |
| Ingress protection rating of the drive | -                   | IP44         |



## Dimensions

| B   | B1  | H   | H1  | H2  | L   |
|-----|-----|-----|-----|-----|-----|
| 600 | 640 | 350 | 390 | 390 | 735 |



## Ecodesign

|                                       |                     |
|---------------------------------------|---------------------|
| Trademark                             | Blauberg            |
| Model                                 | Box 60x35 4E        |
| Type of ventilation unit              | Unidirectional      |
| Type of drive installed               | External MSD or VSD |
| Type of heat recovery system          | None                |
| Nominal flow rate (m <sup>3</sup> /s) | 0.55                |
| Nominal external pressure (Pa)        | 335                 |
| Maximum external leakage rates (%)    | 2.7                 |
| Static efficiency (%)                 | 43.7                |
| Declared typology                     | NRVU UVU            |
| Sound power level (dB(A))             | 87                  |
| Effective electric power input (kW)   | 0.43                |

## Accessories

### Other accessories

| Name                     | Photo   | Description                |
|--------------------------|---|----------------------------|
| <a href="#">CDT E1.8</a> |  | Thyristor speed controller |