

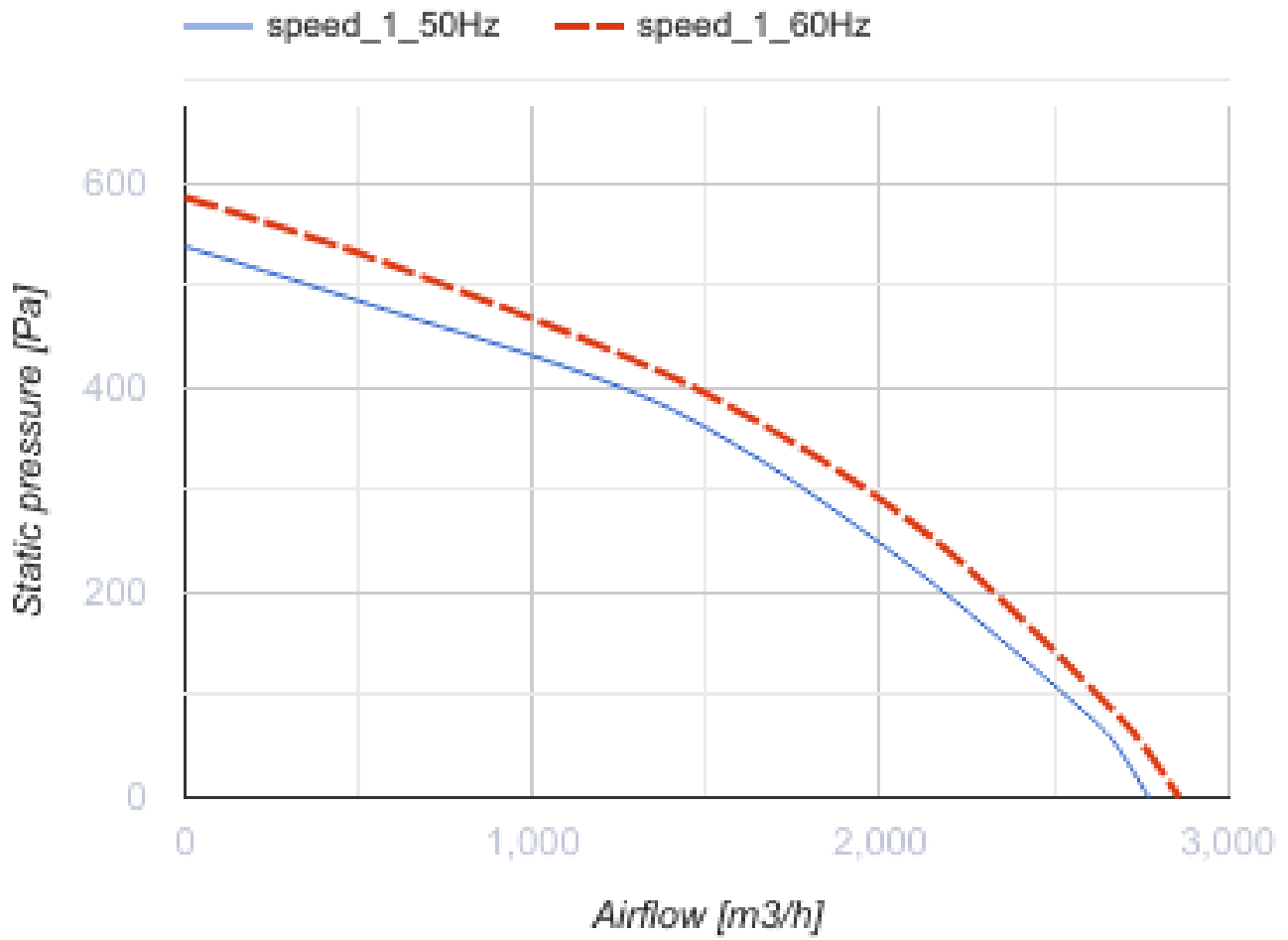


Box 60x35 4D (3~ 400 Y)

Centrifugal fans for rectangular ducts

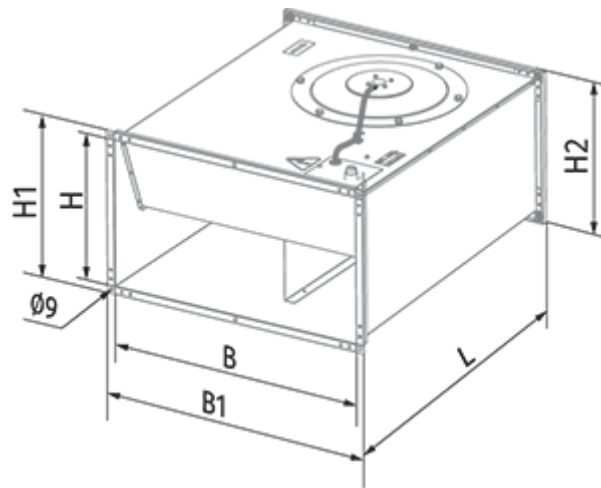
- Maximum airflow: 2660
- Sound pressure level LpA at 3 m: 50
- Motor type: AC
- Impeller type: Centrifugal backward curved blades
- Casing material: Galvanized steel
- Installation in any position

	Unit of measurement	Box 60x35 4D (3~ 400 Y)
Connected air duct size	mm	600x350
Connection type	-	Y
Minimum supply voltage	V	400
Maximum supply voltage	V	400
Power supply frequency	Hz	50/60
Rated power	W	380
Unit current	A	0.7
Maximum airflow	m ³ /h	2660
Sound pressure level LpA at 3 m	dB(A)	50
Weight	kg	36.38
Transported air temperature (max)	°C	80
Transported air temperature (min)	°C	-30
Ingress protection rating	-	IPX4
Ingress protection rating of the drive	-	IP44




Dimensions

B	B1	H	H1	H2	L
600	640	350	390	390	735



Accessories

Thyristor speed controllers

Name	Photo	Description
CDT E1.8		Thyristor speed controller