



Box 60x30 4E

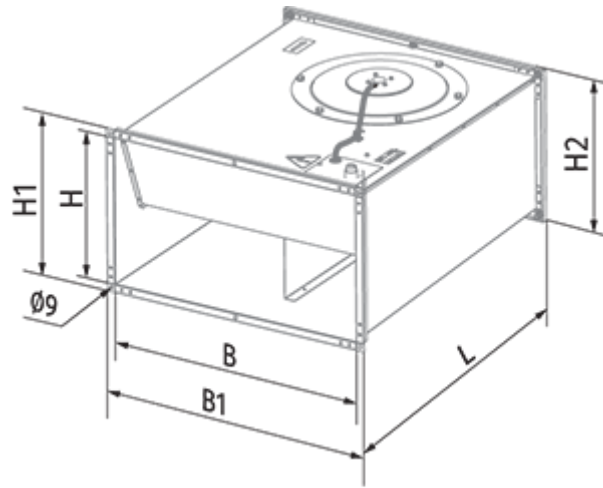
Centrifugal fans for rectangular ducts

- Maximum airflow: 2470
- Sound pressure level LpA at 3 m: 52
- Motor type: AC
- Impeller type: Centrifugal backward curved blades
- Casing material: Galvanized steel
- Installation in any position

	Unit of measurement	Box 60x30 4E
Connected air duct size	mm	600x300
Minimum supply voltage	V	220
Maximum supply voltage	V	240
Power supply frequency	Hz	50/60
Rated power	W	220
Unit current	A	0.9
Maximum airflow	m ³ /h	2470
Sound pressure level LpA at 3 m	dB(A)	52
Weight	kg	27.77
Transported air temperature (max)	°C	45
Transported air temperature (min)	°C	-25
Ingress protection rating	-	IPX4
Ingress protection rating of the drive	-	IP44

Dimensions

B	B1	H	H1	H2	L
600	640	300	340	342	680



Ecodesign

Trademark	Blauberg
Model	Box 60x30 4E
Type of ventilation unit	Unidirectional
Type of drive installed	External MSD or VSD
Type of heat recovery system	None
Nominal flow rate (m ³ /s)	0.271
Nominal external pressure (Pa)	300
Maximum external leakage rates (%)	2.7
Static efficiency (%)	39.6
Declared typology	NRVU UVU
Sound power level (dB(A))	75
Effective electric power input (kW)	0.21