

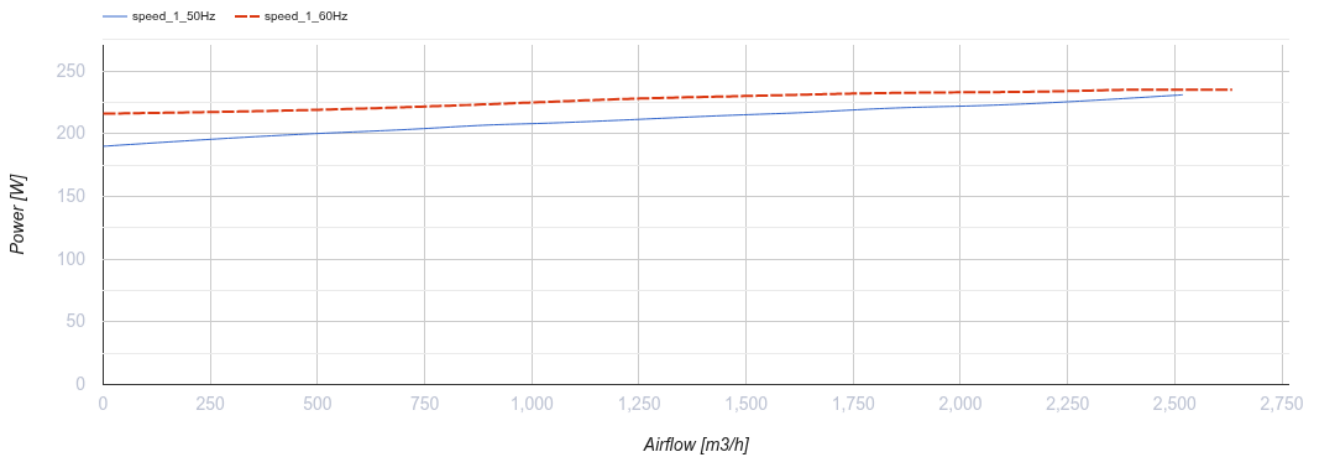
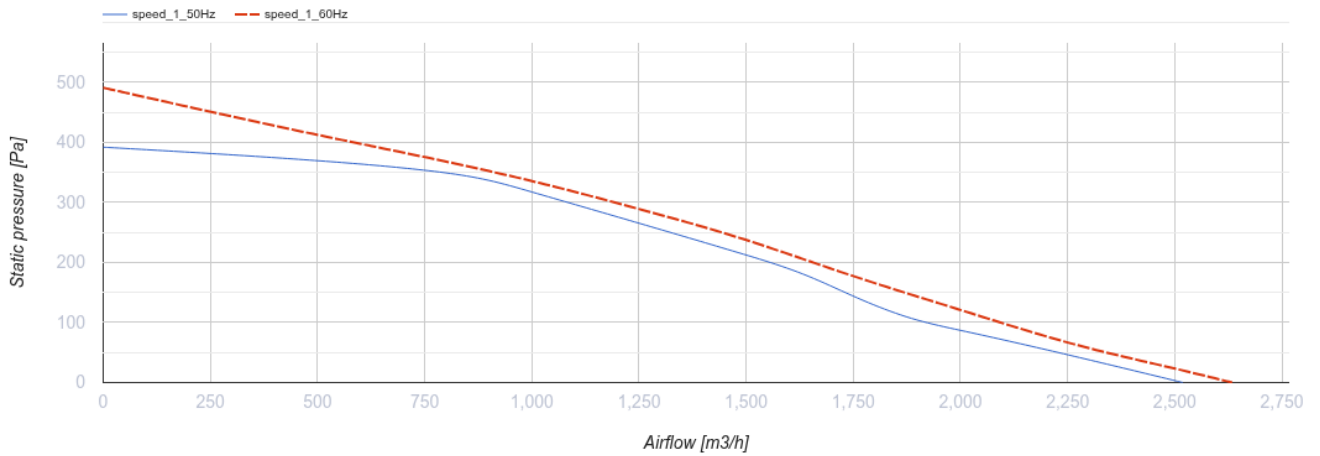


Box 60x30 4D

Centrifugal inline fans with backward curved blades

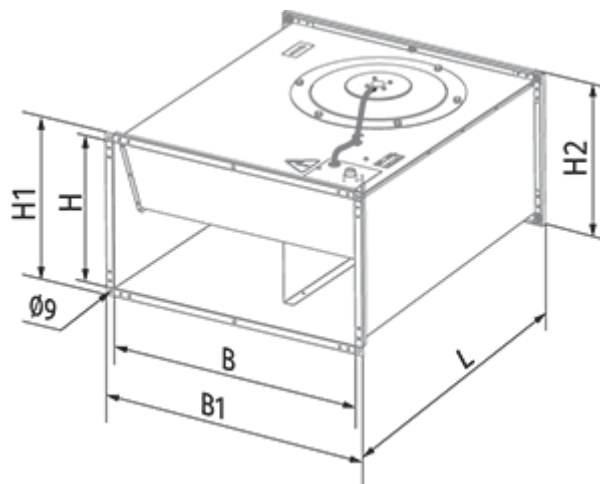
- Sound pressure level LpA at 3 m: 51
- Impeller type: Centrifugal impeller with backward curved blades
- Casing material: Galvanized steel
- Installation in any position

	Unit of measurement	Box 60x30 4D
Connected air duct size	mm	600x300
Phases	-	3
Minimum supply voltage	V	400
Maximum supply voltage	V	400
Power supply frequency	Hz	50/60
Rated power	W	230
Unit current	A	0.52
Maximum airflow	m ³ /h	2530
Rotation speed at 50hz	-	1360
Sound pressure level LpA at 3 m	dB(A)	51
Weight	kg	27.77
Transported air temperature (max)	°C	70
Transported air temperature (min)	°C	-25
Ingress protection rating	-	IPX4
Ingress protection rating of the drive	-	IP44
Impeller material	-	Aluminium
Article	-	8013836



Dimensions

B	B1	H	H1	H2	L
600	640	300	340	342	680



Ecodesign

Trademark	Blauberg
Model	Box 60x30 4D
Type of ventilation unit	Unidirectional
Type of drive installed	External MSD or VSD
Type of heat recovery system	None
Nominal external pressure (Pa)	297
Maximum external leakage rates (%)	2.7
Static efficiency (%)	44.1
Effective electric power input (kW)	0.209
Sound power level (dB(A))	73
Declared typology	NRVU UVU