

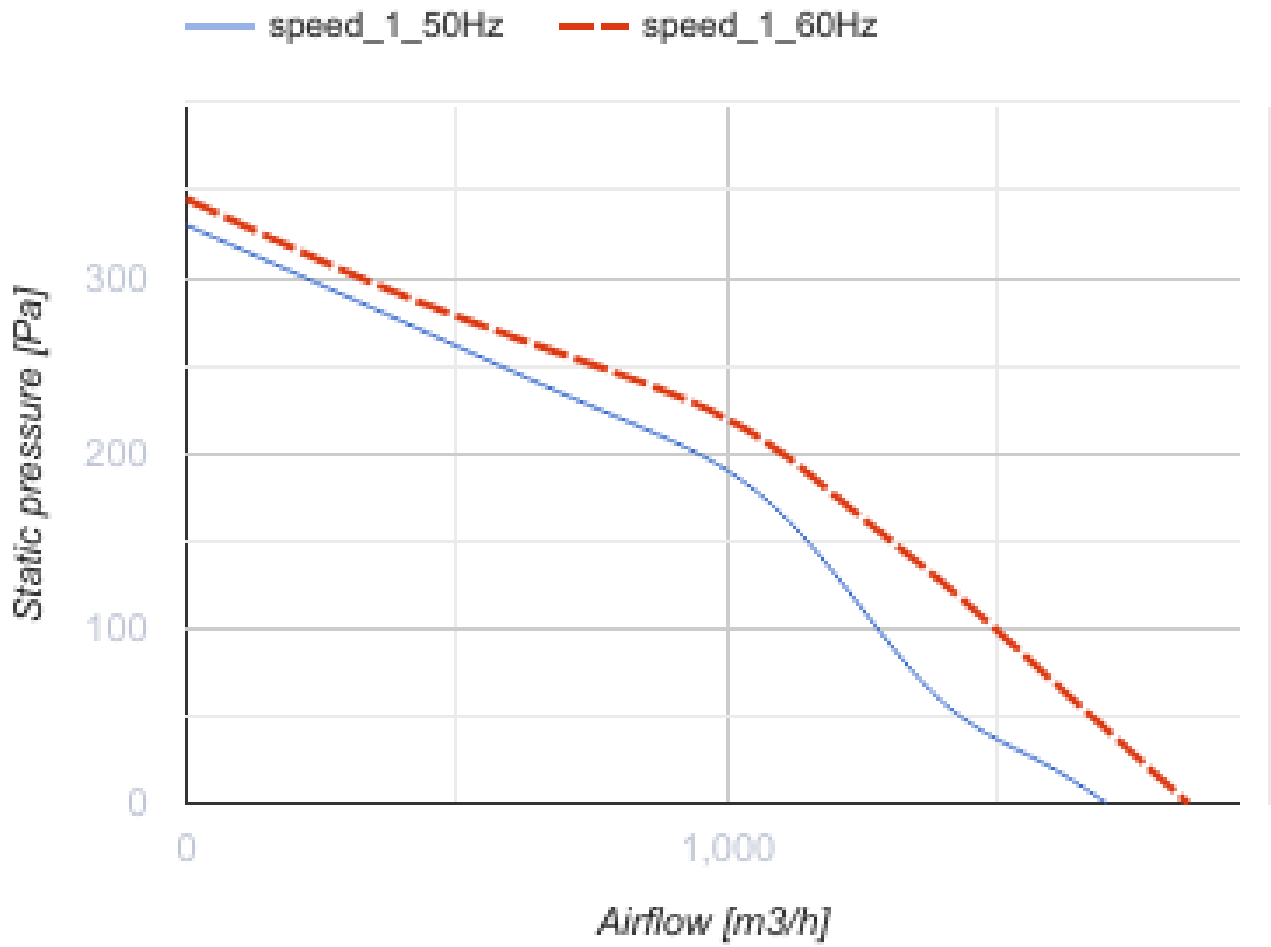


Box 50x30 4E

Centrifugal inline fans with backward curved blades

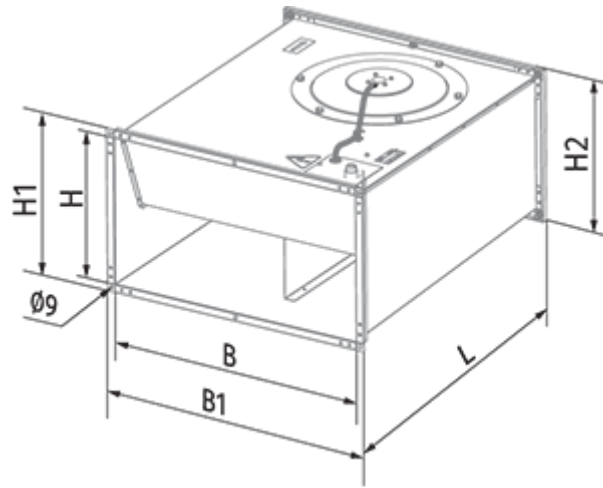
- Maximum airflow: 1700
- Sound pressure level LpA at 3 m: 53
- Motor type: AC
- Impeller type: Centrifugal backward curved blades
- Casing material: Galvanized steel
- Installation in any position

| | Unit of measurement | Box 50x30 4E |
|--|---------------------|--------------|
| Connected air duct size | mm | 500x300 |
| Minimum supply voltage | V | 220 |
| Maximum supply voltage | V | 240 |
| Power supply frequency | Hz | 50/60 |
| Rated power | W | 140 |
| Unit current | A | 0.57 |
| Maximum airflow | m ³ /h | 1700 |
| Sound pressure level LpA at 3 m | dB(A) | 53 |
| Weight | kg | 19.8 |
| Transported air temperature (max) | °C | 45 |
| Transported air temperature (min) | °C | -25 |
| Ingress protection rating | - | IPX4 |
| Ingress protection rating of the drive | - | IP44 |



Dimensions

| B | B1 | H | H1 | H2 | L |
|-----|-----|-----|-----|-----|-----|
| 500 | 540 | 300 | 340 | 340 | 680 |



Ecodesign

| | |
|---------------------------------------|---------------------|
| Trademark | Blauberg |
| Model | Box 50x30 4E |
| Type of ventilation unit | Unidirectional |
| Type of drive installed | External MSD or VSD |
| Type of heat recovery system | None |
| Nominal flow rate (m ³ /s) | 0.261 |
| Nominal external pressure (Pa) | 200 |
| Maximum external leakage rates (%) | 2.7 |
| Static efficiency (%) | 49.7 |
| Declared typology | NRVU UVU |
| Sound power level (dB(A)) | 73 |
| Effective electric power input (kW) | 0.107 |

Accessories

Other accessories

| Name | Photo | Description |
|--------------------------|---|----------------------------|
| CDT E1.8 |  | Thyristor speed controller |