

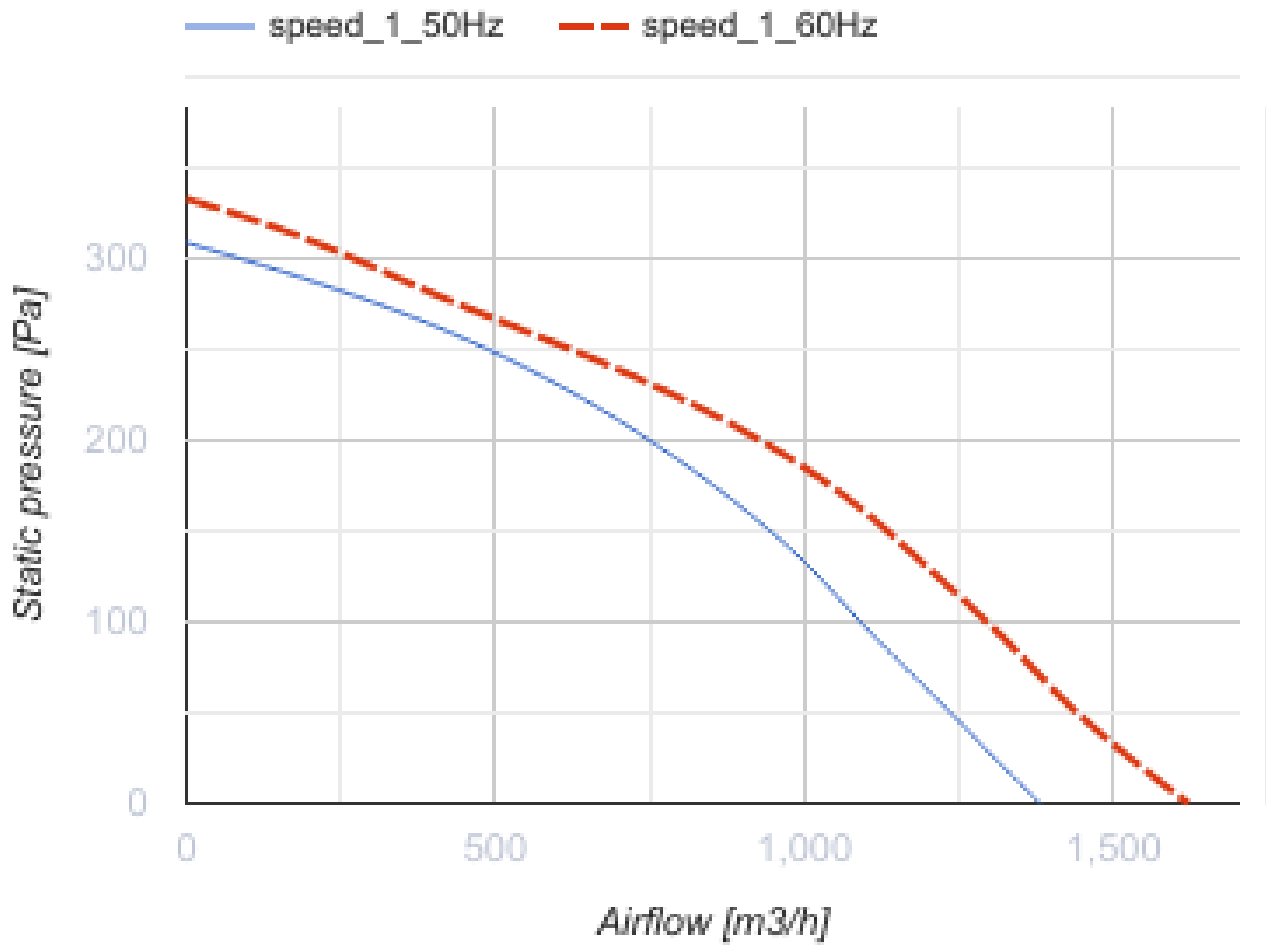


Box 50x30 4D

Centrifugal fans for rectangular ducts

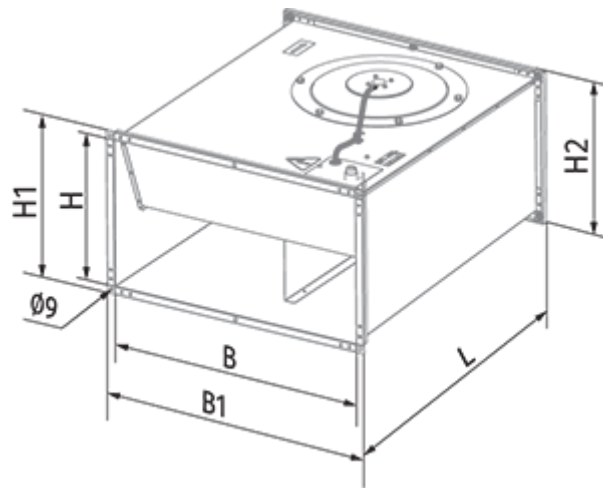
- Maximum airflow: 1380
- Sound pressure level LpA at 3 m: 52
- Motor type: AC
- Impeller type: Centrifugal backward curved blades
- Casing material: Galvanized steel
- Installation in any position

	Unit of measurement	Box 50x30 4D
Connected air duct size	mm	500x300
Minimum supply voltage	V	400
Maximum supply voltage	V	400
Power supply frequency	Hz	50/60
Rated power	W	136
Unit current	A	0.34
Maximum airflow	m ³ /h	1380
Sound pressure level LpA at 3 m	dB(A)	52
Weight	kg	19.8
Transported air temperature (max)	°C	65
Transported air temperature (min)	°C	-25
Ingress protection rating	-	IPX4
Ingress protection rating of the drive	-	IP44



Dimensions

B	B1	H	H1	H2	L
500	540	300	340	340	680



Ecodesign

Trademark	Blauberg
Model	Box 50x30 4D
Type of ventilation unit	Unidirectional
Type of drive installed	External MSD or VSD
Type of heat recovery system	None
Nominal flow rate (m ³ /s)	0.227
Nominal external pressure (Pa)	184
Maximum external leakage rates (%)	2.7
Static efficiency (%)	38.3
Declared typology	NRVU UVU
Sound power level (dB(A))	73
Effective electric power input (kW)	0.111

Accessories

Thyristor speed controllers

Name	Photo	Description
CDT E1.8		Thyristor speed controller