

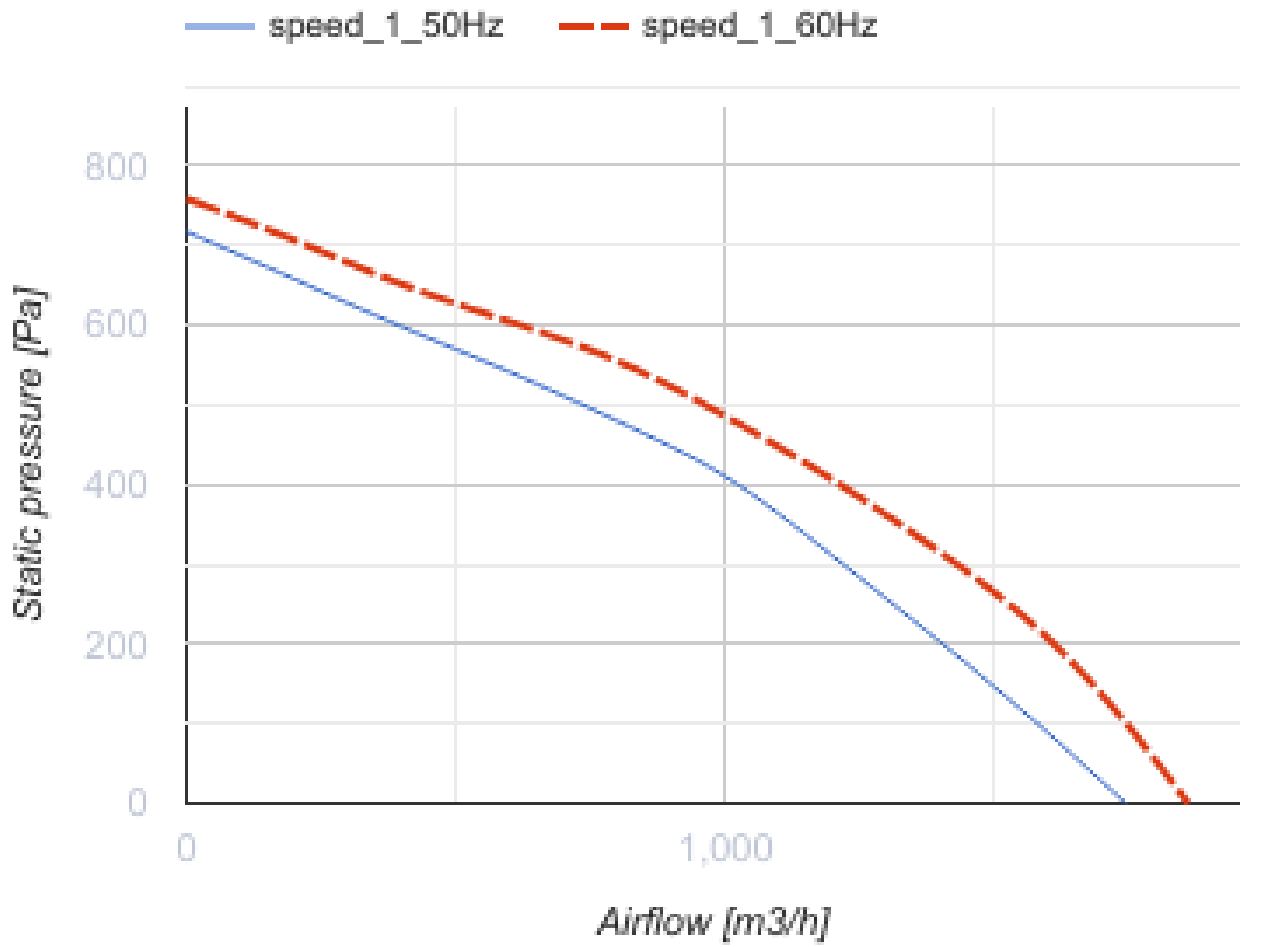


Box 50x25 2E

Centrifugal inline fans with backward curved blades

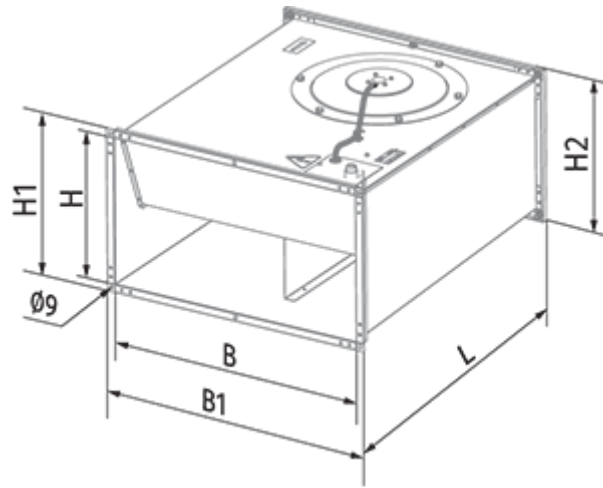
- Maximum airflow: 1720
- Sound pressure level LpA at 3 m: 57
- Motor type: AC
- Impeller type: Centrifugal backward curved blades
- Casing material: Galvanized steel
- Installation in any position

	Unit of measurement	Box 50x25 2E
Connected air duct size	mm	500x250
Minimum supply voltage	V	220
Maximum supply voltage	V	240
Power supply frequency	Hz	50/60
Rated power	W	305
Unit current	A	1.32
Maximum airflow	m ³ /h	1720
Sound pressure level LpA at 3 m	dB(A)	57
Weight	kg	17.88
Transported air temperature (max)	°C	45
Transported air temperature (min)	°C	-25
Ingress protection rating	-	IPX4
Ingress protection rating of the drive	-	IP44



Dimensions

B	B1	H	H1	H2	L
500	540	250	290	290	640



Ecodesign

Trademark	Blauberg
Model	Box 50x25 2E
Type of ventilation unit	Unidirectional
Type of drive installed	External MSD or VSD
Type of heat recovery system	None
Nominal flow rate (m ³ /s)	0.277
Nominal external pressure (Pa)	400
Maximum external leakage rates (%)	2.7
Static efficiency (%)	40.5
Declared typology	NRVU UVU
Sound power level (dB(A))	81
Effective electric power input (kW)	0.279

Accessories

Other accessories

Name	Photo	Description
CDT E1.8		Thyristor speed controller