

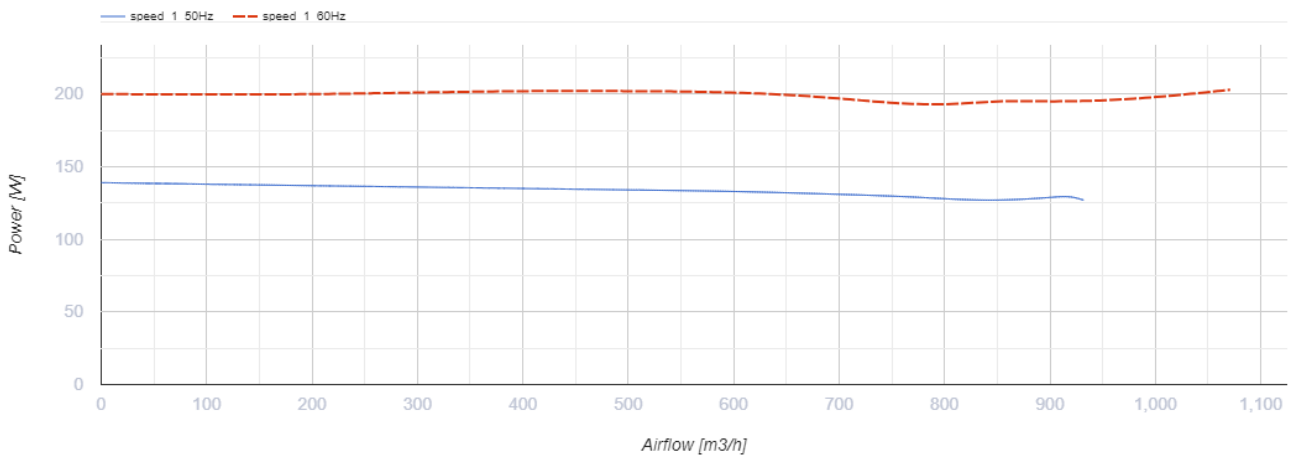
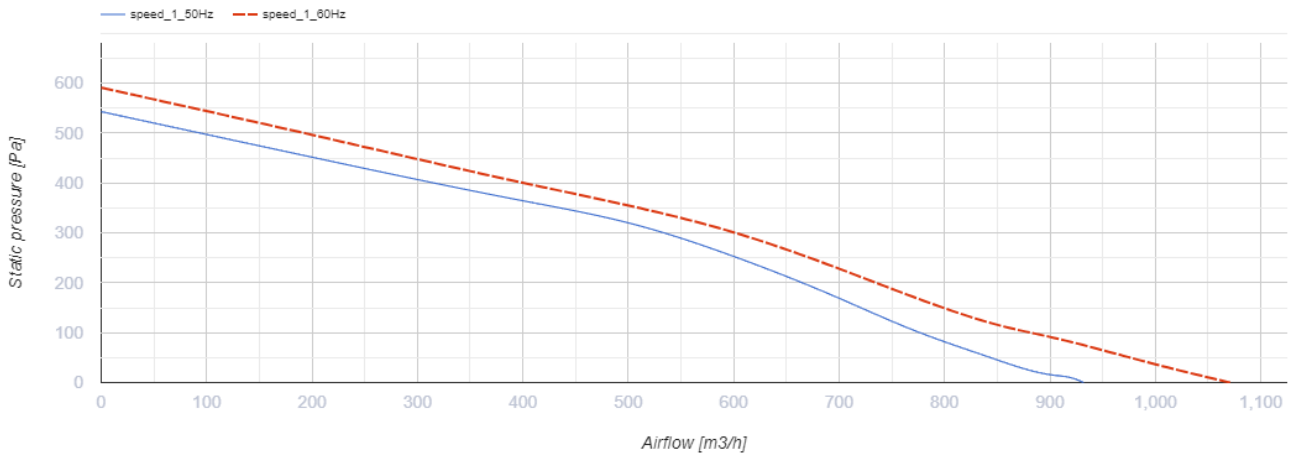


Box 40x20 2E

Centrifugal fans for rectangular ducts

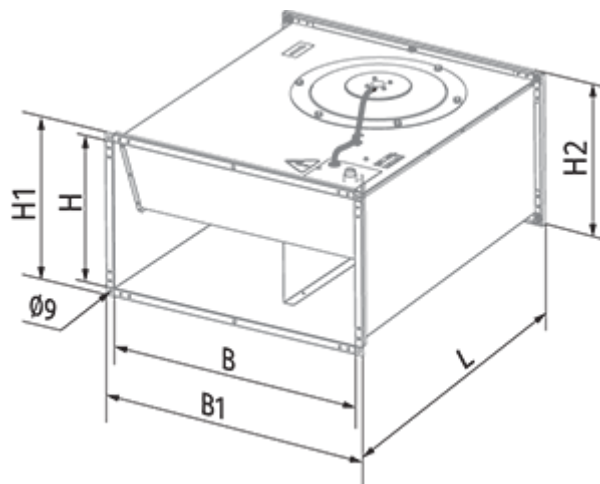
- Maximum airflow: 930
- Sound pressure level LpA at 3 m: 50
- Motor type: AC
- Impeller type: Centrifugal backward curved blades
- Casing material: Galvanized steel
- Installation in any position

	Unit of measurement	Box 40x20 2E
Connected air duct size	mm	400x200
Minimum supply voltage	V	220
Maximum supply voltage	V	240
Power supply frequency	Hz	50/60
Rated power	W	138
Unit current	A	0.6
Maximum airflow	m ³ /h	930
Sound pressure level LpA at 3 m	dB(A)	50
Weight	kg	11.25
Transported air temperature (max)	°C	45
Transported air temperature (min)	°C	-25
Ingress protection rating	-	IPX4
Ingress protection rating of the drive	-	IP44

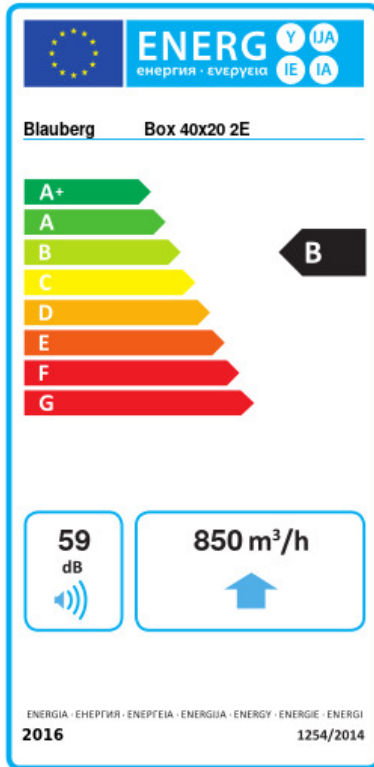


Dimensions

B	B1	H	H1	H2	L
400	440	200	240	240	500



Ecodesign



Trademark	Blaubeerg			
Model	Box 40x20 2E			
Specific energy consumption (SEC) (kWh/(m ² /a))	Cold	Average	Warm	
	-53.7	A+	-26.6	B
Type of ventilation unit	Unidirectional			
Type of drive installed	Multi-speed			
Type of heat recovery system	None			
Maximum flow rate (m ³ /h)	850			
Electric power input (W)	138			
Reference flow rate (m ³ /s)	0.165			
Reference pressure difference (Pa)	50			
Specific power input (SPI) (W/(m ³ /h))	0.128			
Control typology	Local demand control			
Maximum external leakage rates (%)	2.7			
Declared typology	RVU UVU			
Sound power level (dB(A))	59			
The annual electricity consumption (AEC) (kWh/a)	Cold	Average	Warm	
	68	68	68	
The annual heating saved (AHS) (kWh/a)	Cold	Average	Warm	
	5536	2830	1280	

Accessories

Thyristor speed controllers

Name	Photo	Description
CDT E1.8		Thyristor speed controller