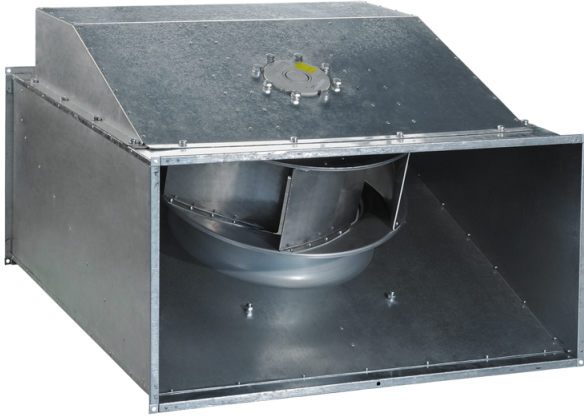


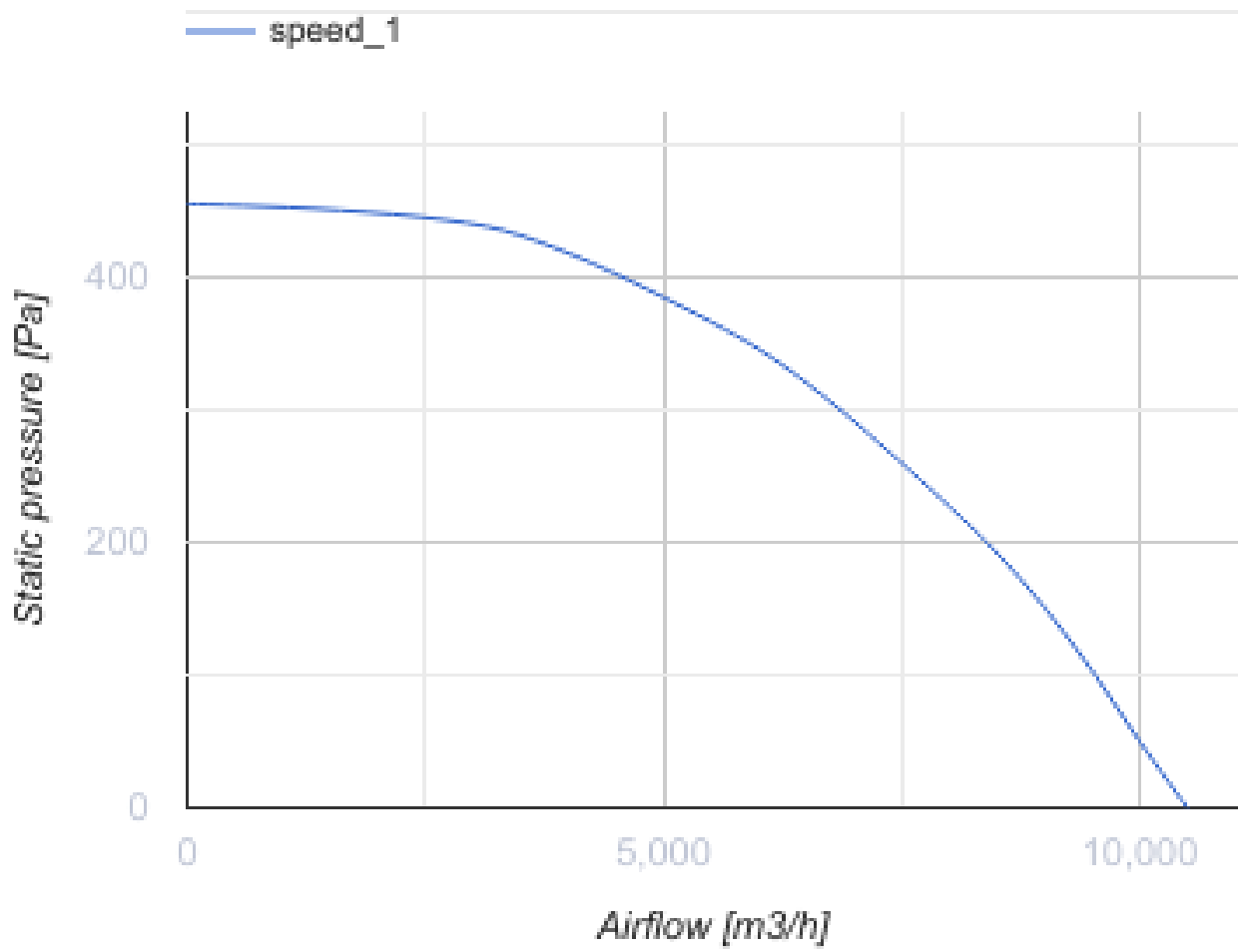
Box 100x50 6D

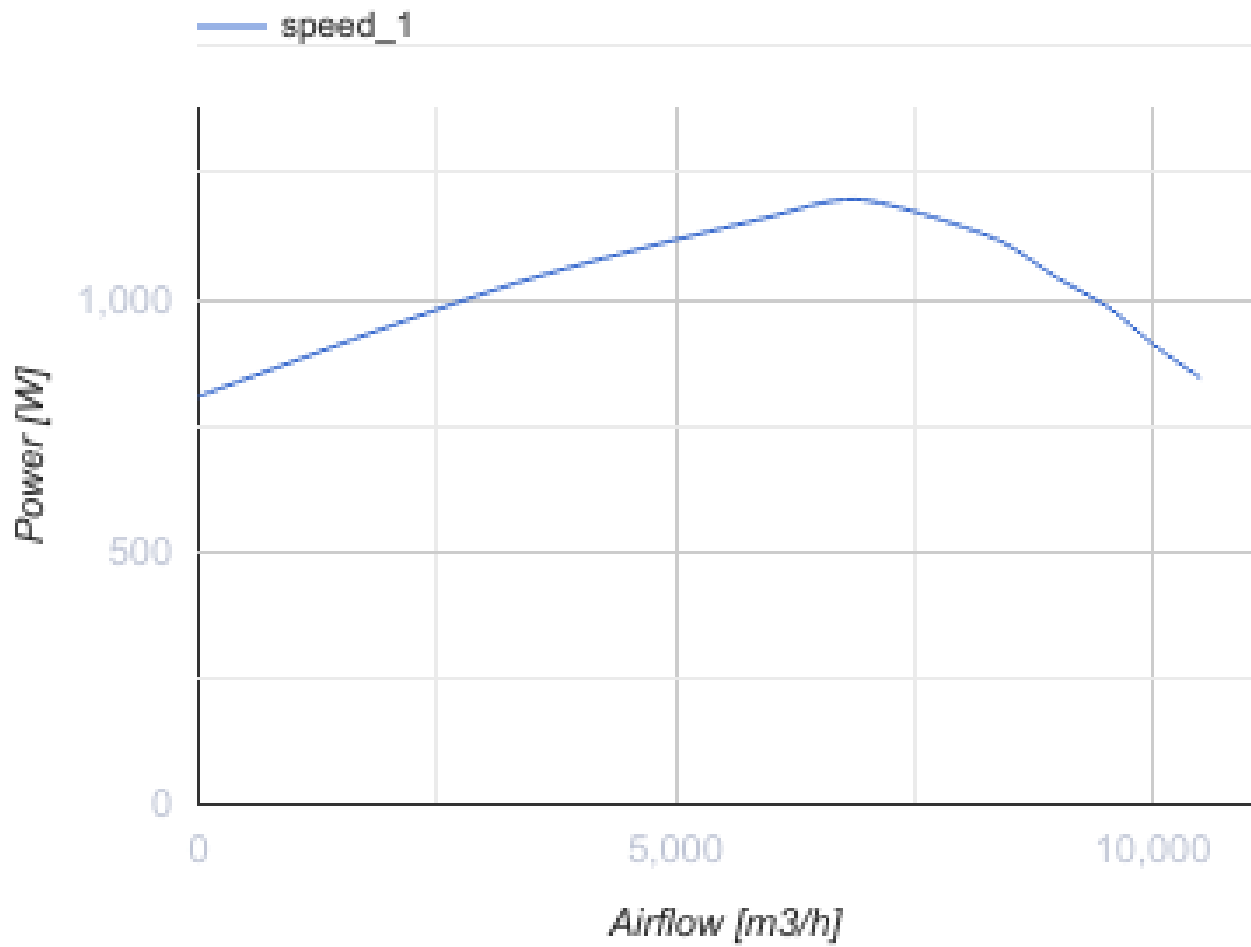
Centrifugal fans for rectangular ducts



- Maximum airflow: 10500
- Sound pressure level LpA at 3 m: 69
- Motor type: AC
- Impeller type: Centrifugal backward curved blades
- Casing material: Galvanized steel
- Installation in any position

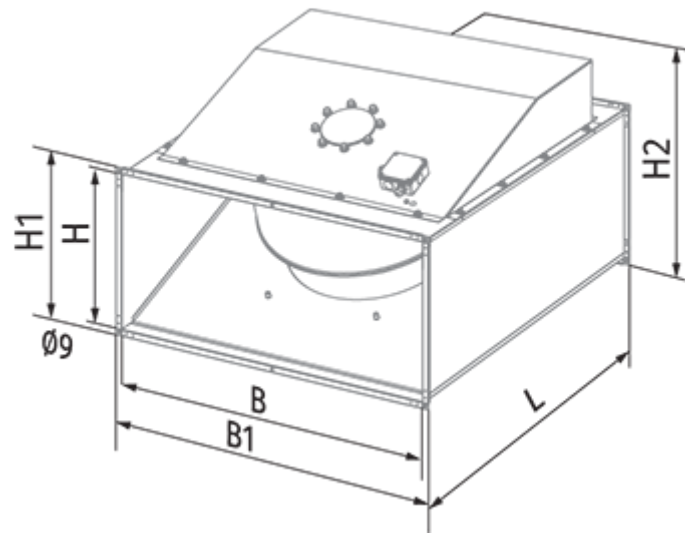
	Unit of measurement	Box 100x50 6D
Connected air duct size	mm	1000x500
Minimum supply voltage	V	400
Maximum supply voltage	V	400
Power supply frequency	Hz	50
Rated power	W	1198
Unit current	A	2.7
Maximum airflow	m ³ /h	10500
Sound pressure level LpA at 3 m	dB(A)	69
Weight	kg	120
Transported air temperature (max)	°C	50
Transported air temperature (min)	°C	-25
Ingress protection rating	-	IPX4
Ingress protection rating of the drive	-	IP44





Dimensions

B	B1	H	H1	H2	L
1000	1040	500	540	720	1150




Ecodesign

Trademark	Blauberg
Model	Box 100x50 6D
Type of ventilation unit	Unidirectional
Type of drive installed	External MSD or VSD
Type of heat recovery system	None
Nominal flow rate (m ³ /s)	1.667
Nominal external pressure (Pa)	340
Maximum external leakage rates (%)	2.7
Static efficiency (%)	48.2
Declared typology	NRVU UVU
Sound power level (dB(A))	84
Effective electric power input (kW)	1.2

Accessories

Thyristor speed controllers

Name	Photo	Description
CDT E1.8		Thyristor speed controller