



BLAUBOX ME 3500-25.2 Pro

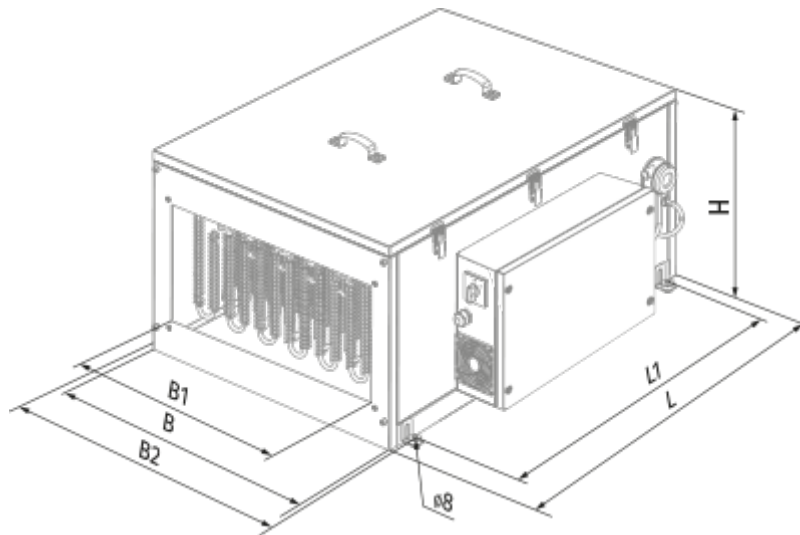
Supply ventilation units

- Power of electrical reheater: 25200
- Maximum airflow: 3500
- Sound pressure level LpA at 3 m: 53
- Sound insulation
- Motor type: AC
- Reheater: Electric
- Control: Remote Control
- Casing material: Galvanized steel

	Unit of measurement	BLAUBOX ME 3500-25.2 Pro
Connected air duct size	mm	600x350
Speed	-	1
Connection type	-	Y
Minimum supply voltage	V	400
Maximum supply voltage	V	400
Power supply frequency	Hz	50
Rated power	W	1270
Power of electrical reheater	W	25200
Unit current	A	38.7
Maximum airflow	m ³ /h	3500
Sound pressure level LpA at 3 m	dB(A)	53
Weight	kg	69.3
Transported air temperature (max)	°C	45
Transported air temperature (min)	°C	-40
Ambient air temperature min	°C	1
Ambient air temperature max	°C	40
Ambient air humidity max	%	80
Ingress protection rating	-	IP22
Ingress protection rating of the drive	-	IP44


Dimensions

B	B1	B2	H	L	L1
710	600	759	530	1000	880




Accessories


Other accessories

Name	Photo	Description
FP 653x440x47 G4		G4 panel filter


For rectangular ducts

Name	Photo	Description
SD 60x35		Silencers for rectangular ducts


Freon coolers

Name	Photo	Description
KFK 60x35-3		Duct DX cooling units for rectangular air ducts

Airflow regulators

Name	Photo	Description
SL 60x35		Air dampers for rectangular ducts

For rectangular ducts

Name	Photo	Description
EVA 60x35		Flexible anti-vibration connectors for rectangular ducts