



BLAUBOX ME 2500-18 Pro

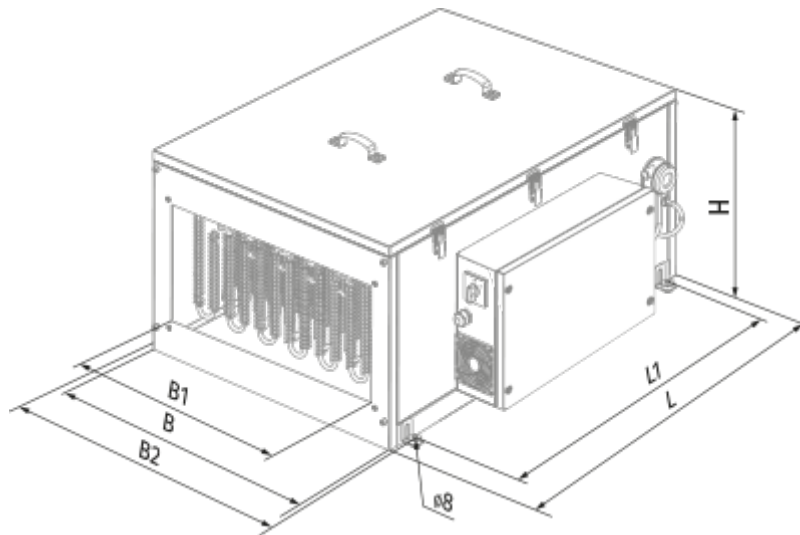
Supply ventilation units

- Power of electrical reheater: 18000
- Maximum airflow: 2500
- Sound pressure level LpA at 3 m: 45
- Sound insulation
- Motor type: AC
- Reheater: Electric
- Control: Remote Control
- Casing material: Galvanized steel

	Unit of measurement	BLAUBOX ME 2500-18 Pro
Connected air duct size	mm	500x300
Speed	-	1
Minimum supply voltage	V	400
Maximum supply voltage	V	400
Power supply frequency	Hz	50
Rated power	W	650
Power of electrical reheater	W	18000
Unit current	A	28.8
Maximum airflow	m ³ /h	2500
Sound pressure level LpA at 3 m	dB(A)	45
Weight	kg	62
Transported air temperature (max)	°C	45
Transported air temperature (min)	°C	-25
Ambient air temperature min	°C	1
Ambient air temperature max	°C	40
Ambient air humidity max	%	80
Ingress protection rating	-	IP22
Ingress protection rating of the drive	-	IP44


Dimensions

B	B1	B2	H	L	L1
600	500	649	480	800	680

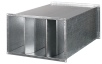


Accessories


Other accessories

Name	Photo	Description
FP 545x390x47 G4		G4 panel filter


For rectangular ducts

Name	Photo	Description
SD 50x30		Silencers for rectangular ducts


Freon coolers

Name	Photo	Description
KFK 50x30-3		Duct DX cooling units for rectangular air ducts

Airflow regulators

Name	Photo	Description
SL 50x30		Air dampers for rectangular ducts

For rectangular ducts

Name	Photo	Description
EVA 50x30		Flexible anti-vibration connectors for rectangular ducts