



# BLAUBOX ME 2000-18 Pro

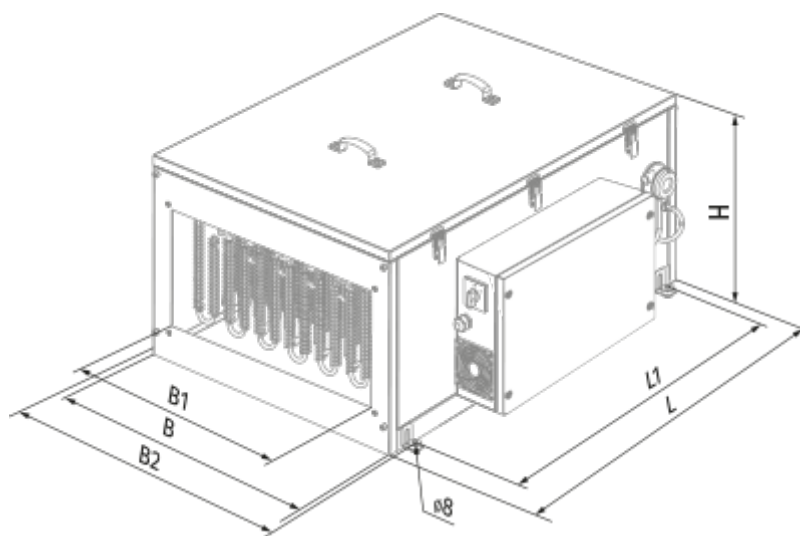
Supply ventilation units

- Power of electrical reheater: 18000
- Maximum airflow: 2000
- Sound pressure level LpA at 3 m: 40
- Sound insulation
- Motor type: AC
- Reheater: Electric
- Control: Remote Control
- Casing material: Galvanized steel

	Unit of measurement	BLAUBOX ME 2000-18 Pro
Connected air duct size	mm	500x250
Speed	-	1
Minimum supply voltage	V	400
Maximum supply voltage	V	400
Power supply frequency	Hz	50
Rated power	W	490
Power of electrical reheater	W	18000
Unit current	A	28.15
Maximum airflow	m <sup>3</sup> /h	2000
Sound pressure level LpA at 3 m	dB(A)	40
Weight	kg	61.5
Transported air temperature (max)	°C	45
Transported air temperature (min)	°C	-25
Ambient air temperature min	°C	1
Ambient air temperature max	°C	40
Ambient air humidity max	%	80
Ingress protection rating	-	IP22
Ingress protection rating of the drive	-	IP44

## Dimensions

B	B1	B2	H	L	L1
600	500	649	480	800	680



## Accessories


### Other accessories

Name	Photo	Description
FP 545x390x47 G4		G4 panel filter



### Other accessories

Name	Photo	Description
<a href="#">SD 50x25</a>		Silencers for rectangular ducts

### Other accessories

Name	Photo	Description
<a href="#">KFK 50x25-3</a>		Duct DX cooling units for rectangular air ducts

### Other accessories

Name	Photo	Description
<a href="#">SL 50x25</a>		Air dampers for rectangular ducts
<a href="#">EVA 50x25</a>		Flexible anti-vibration connectors for rectangular ducts