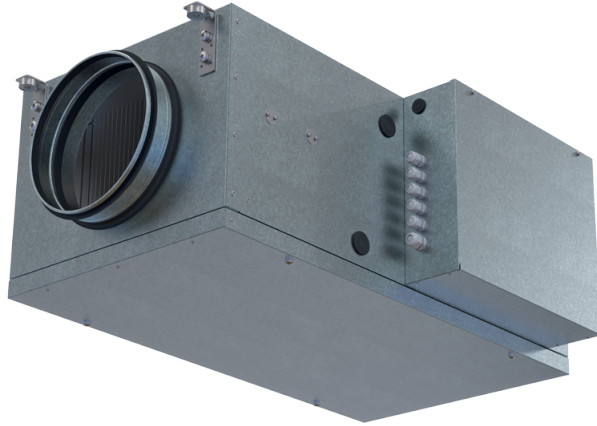


Blaubox EC MW 700 S31

Supply ventilation units with a water heater

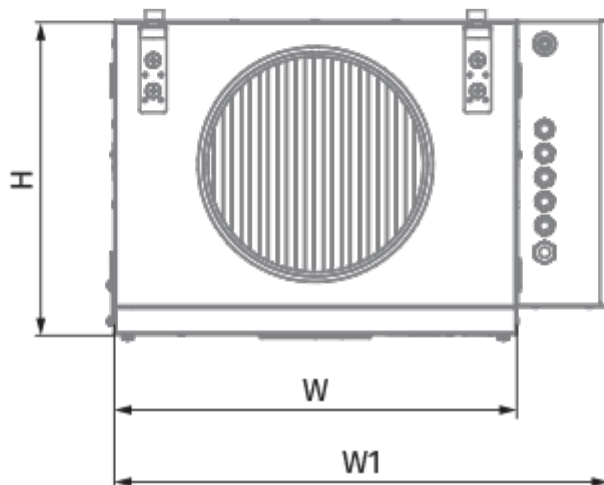
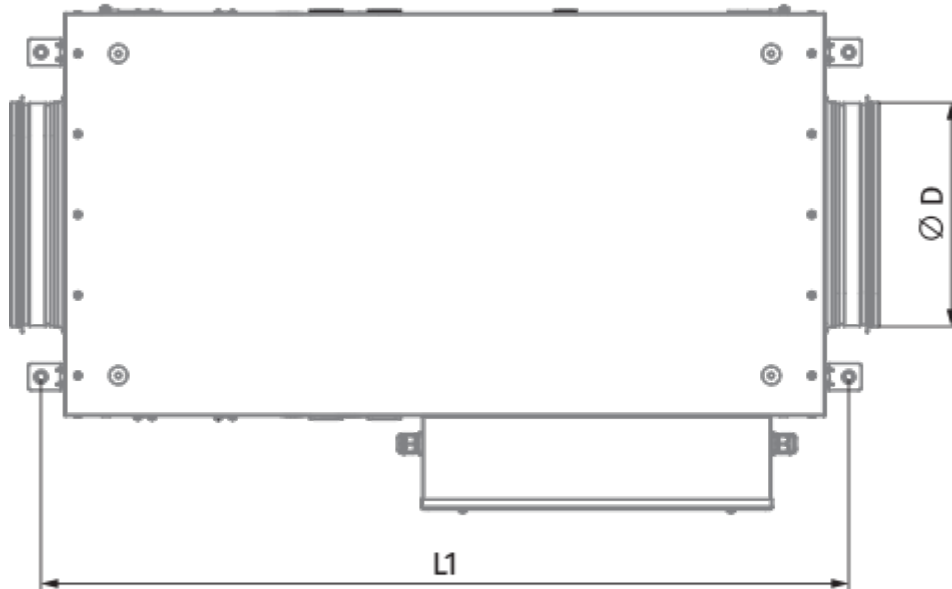
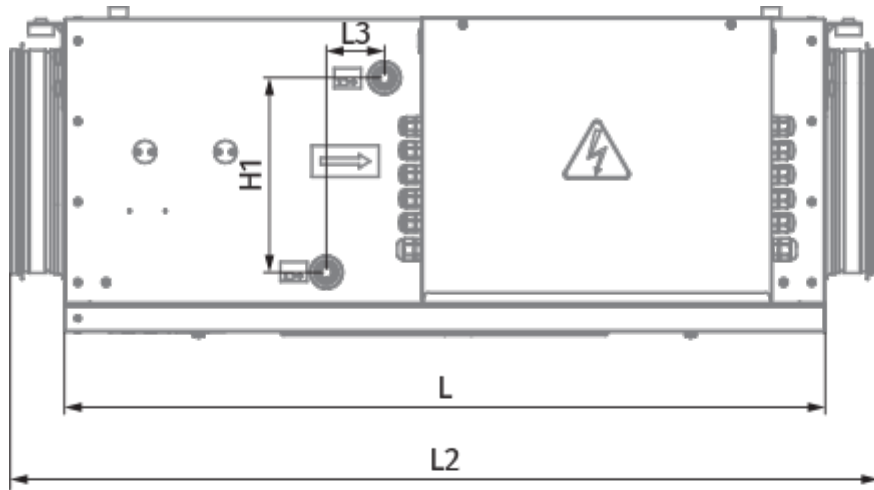


- Maximum airflow: 800
- Sound pressure level LpA at 3 m: 44
- Filter: Coarse 90% / G4 (option: ePM1 70% / F7), Coarse 90% / G4 (опция: ePM1 70% / F7)
- Sound insulation
- Motor type: EC
- Reheater: Water
- BMS protocol: ModBus
- Control: Wired control panel
- Casing material: Aluzinc steel

	Unit of measurement	Blaubox EC MW 700 S31
Connected air duct size	mm	250
Phases	-	1
Minimum supply voltage	V	230
Maximum supply voltage	V	230
Power supply frequency	Hz	50
Rated power	W	139
Unit current	A	1.05
Maximum airflow	m ³ /h	800
Sound pressure level LpA at 3 m	dB(A)	44
Weight	kg	27
Filter	-	Coarse 90% / G4 (option: ePM1 70% / F7), Coarse 90% / G4 (опция: ePM1 70% / F7)
Transported air temperature (max)	°C	40
Transported air temperature (min)	°C	-30
Ambient air temperature min	°C	1
Ambient air temperature max	°C	40
Ambient air humidity max	%	80
Ingress protection rating	-	IP22
Ingress protection rating of the drive	-	IP44


Dimensions

D	H	H1	L	L1	L2	L3	W	W1
250	350	218	850	903	972	65	460	565

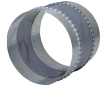


Accessories




Other accessories

Name	Photo	Description
FP 384x287x48 Coarse 90% / G4		G4 panel filter
FP 384x287x48 ePM1 70% / F7		F7 panel filter


For round ducts

Name	Photo	Description
EVA 250		Flexible anti-vibration connectors for round ducts

For round ducts

Name	Photo	Description
SD 250/600		Silencers for round ducts
SD 250/900		Silencers for round ducts
SD 250/1200		Silencers for round ducts

For round ducts

Name	Photo	Description
VKA 250		Air dampers for round ducts

Electric actuators

Name	Photo	Description
------	-------	-------------

Belimo TF24		Electric actuators
Belimo TF230		Electric actuators