

# Blaubox EC MW 4000 S31

Supply ventilation units with a water heater

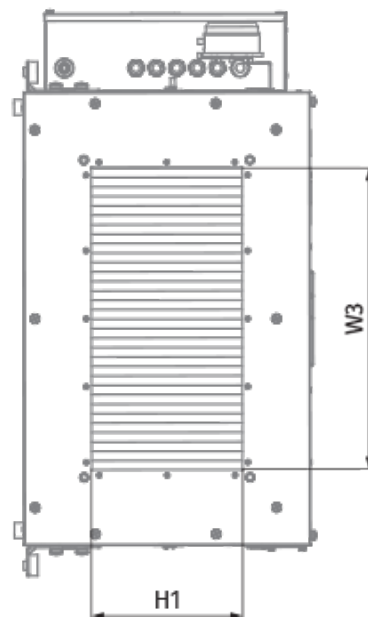
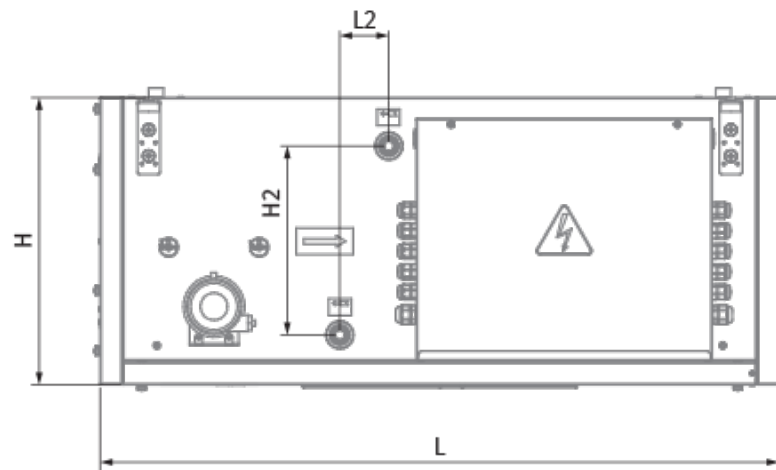
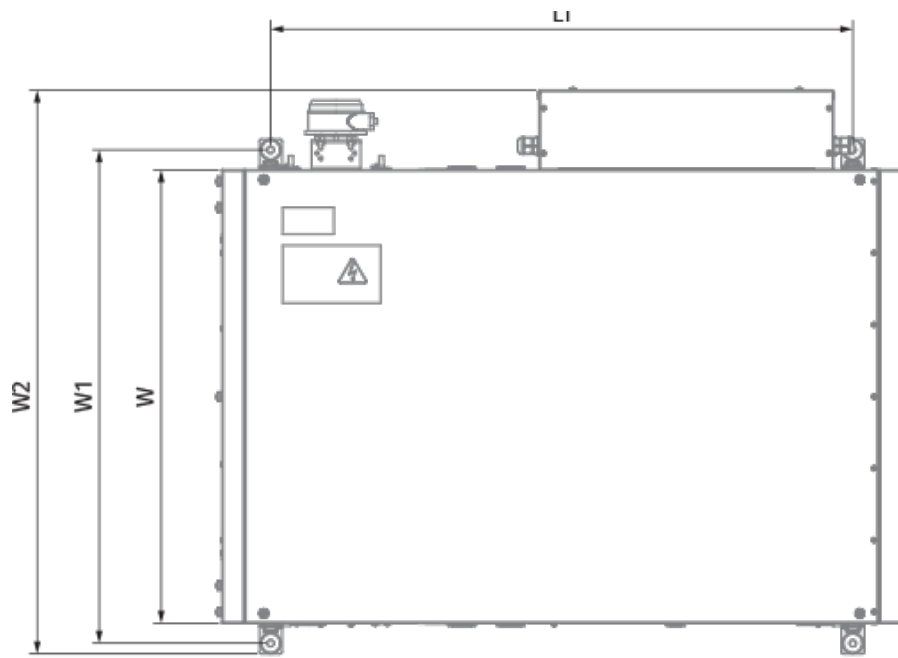


- Maximum airflow: 4950
- Sound pressure level LpA at 3 m: 54
- Filter: Coarse 90 % / G4 (optional: ePM1 70 % / F7)
- Sound insulation
- Motor type: EC
- Reheater: Water
- BMS protocol: ModBus
- Control: Wired control panel
- Casing material: Aluzinc steel

	Unit of measurement	Blaubox EC MW 4000 S31
Connected air duct size	mm	700x400
Phases	-	1
Minimum supply voltage	V	230
Maximum supply voltage	V	230
Power supply frequency	Hz	50
Rated power	W	698
Unit current	A	1.06
Maximum airflow	m <sup>3</sup> /h	4950
Sound pressure level LpA at 3 m	dB(A)	54
Weight	kg	58
Filter	-	Coarse 90 % / G4 (optional: ePM1 70 % / F7)
Transported air temperature (max)	°C	40
Transported air temperature (min)	°C	-30
Ambient air temperature min	°C	1
Ambient air temperature max	°C	40
Ambient air humidity max	%	80
Ingress protection rating	-	IP22
Ingress protection rating of the drive	-	IP44



## Dimensions

H	H1	H2	L	L1	L2	W	W1	W2	W3
550	400	380	1200	1070	65	940	993	1087	700





## Accessories

### Other accessories

Name	Photo	Description
FP 874x485x80 Coarse 90% / G4		G4 panel filter
FP 874x485x80 ePM1 70% / F7		F7 panel filter



### Other accessories

Name	Photo	Description
<a href="#">EVA 70x40</a>		Flexible anti-vibration connectors for rectangular ducts
<a href="#">SL 70x40</a>		Air dampers for rectangular ducts

### Other accessories

Name	Photo	Description
<a href="#">SD 70x40</a>		Silencers for rectangular ducts

### Other accessories

Name	Photo	Description
<a href="#">Belimo TF24</a>		Electric actuators
<a href="#">Belimo TF230</a>		Electric actuators