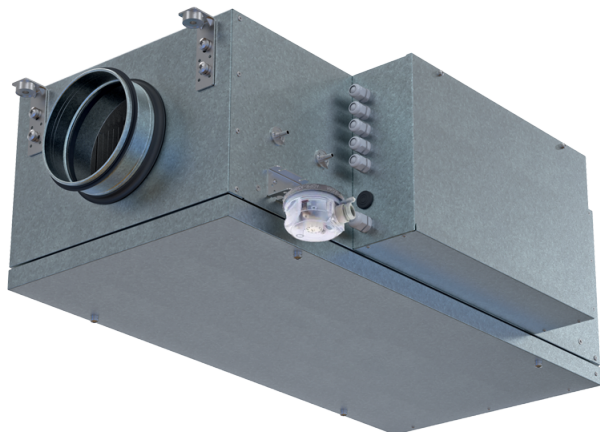


# Blaubox EC ME 700-6 S31

Supply ventilation units with an electric heater

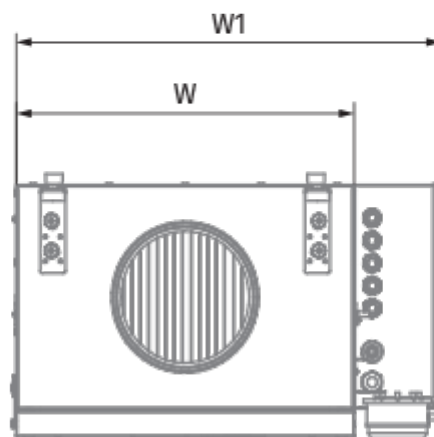
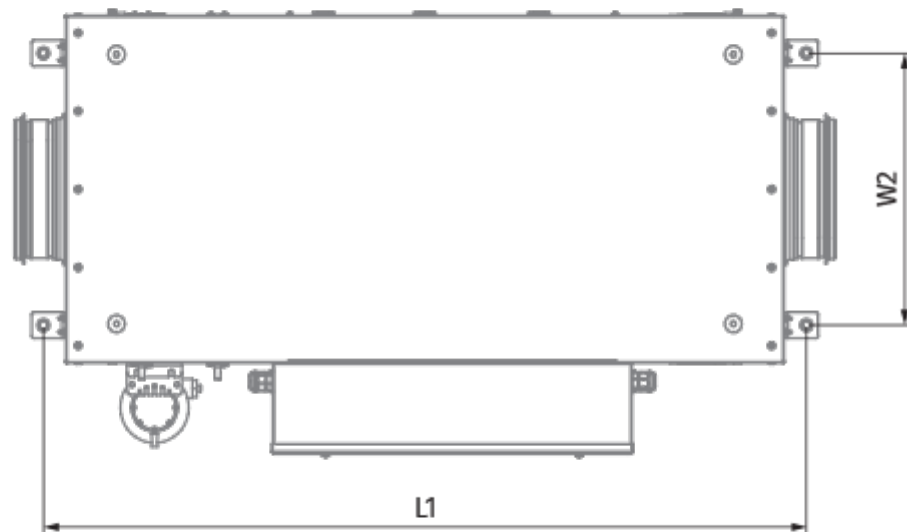


- Power of electrical reheater: 6000
- Maximum airflow: 760
- Sound pressure level LpA at 3 m: 41
- Filter: Coarse 90% / G4 (опция: ePM1 70% / F7), Coarse 90% / G4 (option: ePM1 70% / F7)
- Sound insulation
- Motor type: EC
- Reheater: Electric
- BMS protocol: ModBus
- Control: Wired control panel
- Casing material: Aluzinc steel

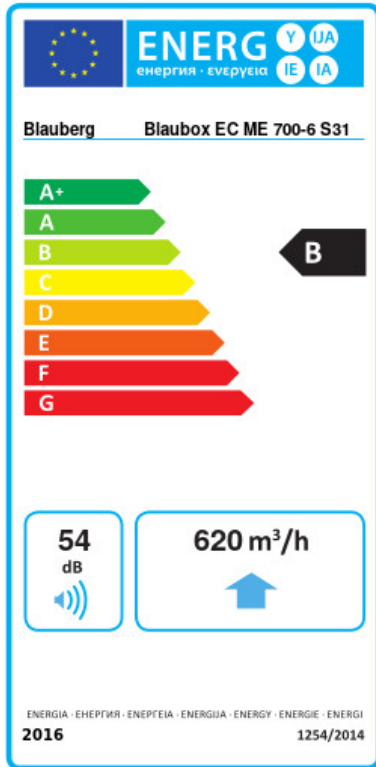
	Unit of measurement	Blaubox EC ME 700-6 S31
Connected air duct size	mm	250
Phases	-	3
Minimum supply voltage	V	400
Maximum supply voltage	V	400
Power supply frequency	Hz	50
Rated power	W	116
Power of electrical reheater	W	6000
Unit current	A	10
Maximum airflow	m <sup>3</sup> /h	760
Sound pressure level LpA at 3 m	dB(A)	41
Weight	kg	27
Filter	-	Coarse 90% / G4 (опция: ePM1 70% / F7), Coarse 90% / G4 (option: ePM1 70% / F7)
Transported air temperature (max)	°C	40
Transported air temperature (min)	°C	-30
Ambient air temperature min	°C	1
Ambient air temperature max	°C	40
Ambient air humidity max	%	80
Ingress protection rating	-	IP22
Ingress protection rating of the drive	-	IP44

## Dimensions

D	H	L	L1	L2	W	W1	W2
250	350	850	903	972	460	565	353



## Ecodesign




Trademark	Blauberg					
Model	Blaubox EC ME 700-6 S31					
Specific energy consumption (SEC) (kWh/(m <sup>2</sup> /a))	Cold		Average		Warm	
	-53.9	A+	-26.8	B	-11.3	E
Type of ventilation unit	Unidirectional					
Type of drive installed	Variable speed					
Type of heat recovery system	None					
Maximum flow rate (m <sup>3</sup> /h)	620					
Electric power input (W)	116					
Reference flow rate (m <sup>3</sup> /s)	0.139					
Reference pressure difference (Pa)	50					
Specific power input (SPI) (W/(m <sup>3</sup> /h))	0.11					
Control typology	Local demand control					
Maximum internal leakage rates (%)	2.7					
Maximum external leakage rates (%)	2.7					
Declared typology	RVU UVU					
Sound power level (dB(A))	54					
The annual electricity consumption (AEC) (kWh/a)	Cold		Average		Warm	
	58		58		58	
The annual heating saved (AHS) (kWh/a)	Cold		Average		Warm	
	5536		2830		1280	

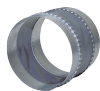
## Accessories

### Other accessories




Name	Photo	Description
FP 384x287x48 Coarse 90% / G4		G4 panel filter

FP 384x287x48 ePM1 70% / F7		F7 panel filter
-----------------------------	---	-----------------

### For round ducts

Name	Photo	Description
<a href="#">EVA 250</a>		Flexible anti-vibration connectors for round ducts



### For round ducts

Name	Photo	Description
<a href="#">SD 250/600</a>		Silencers for round ducts
<a href="#">SD 250/900</a>		Silencers for round ducts
<a href="#">SD 250/1200</a>		Silencers for round ducts

### For round ducts

Name	Photo	Description
<a href="#">VKA 250</a>		Air dampers for round ducts

### Electric actuators

Name	Photo	Description
<a href="#">Belimo TF24</a>		Electric actuators
<a href="#">Belimo TF230</a>		Electric actuators