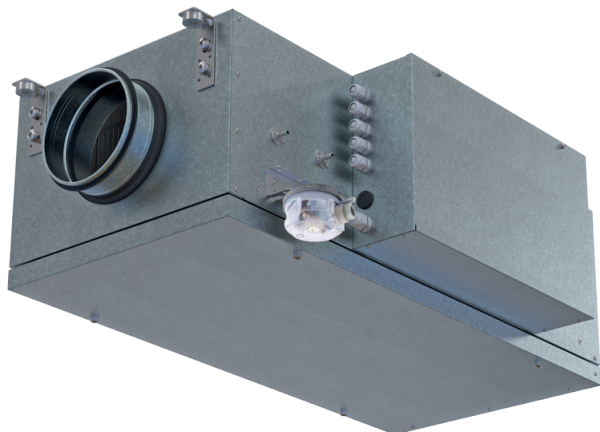


Blaubox EC ME 400-2.4 S31

Supply ventilation units with an electric heater

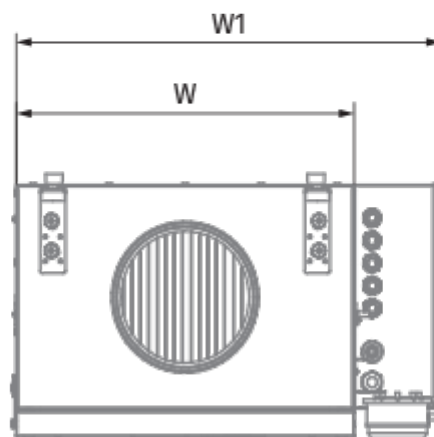
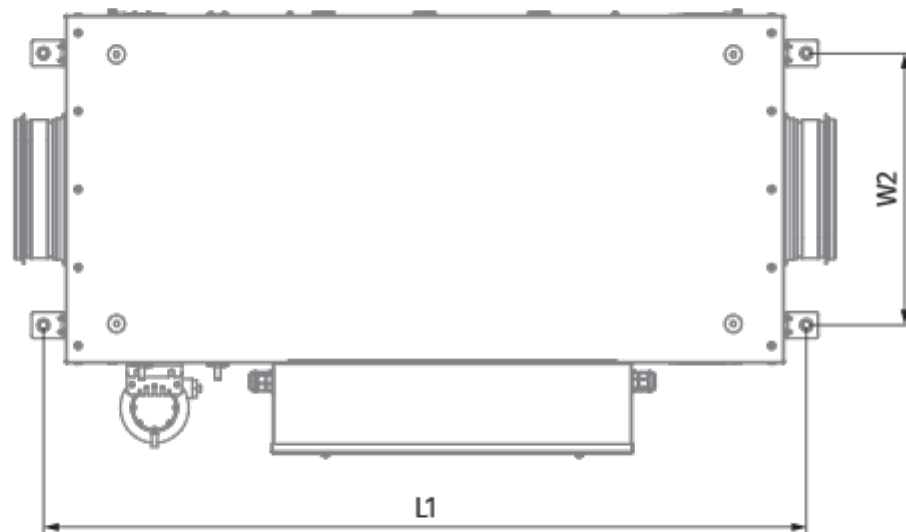
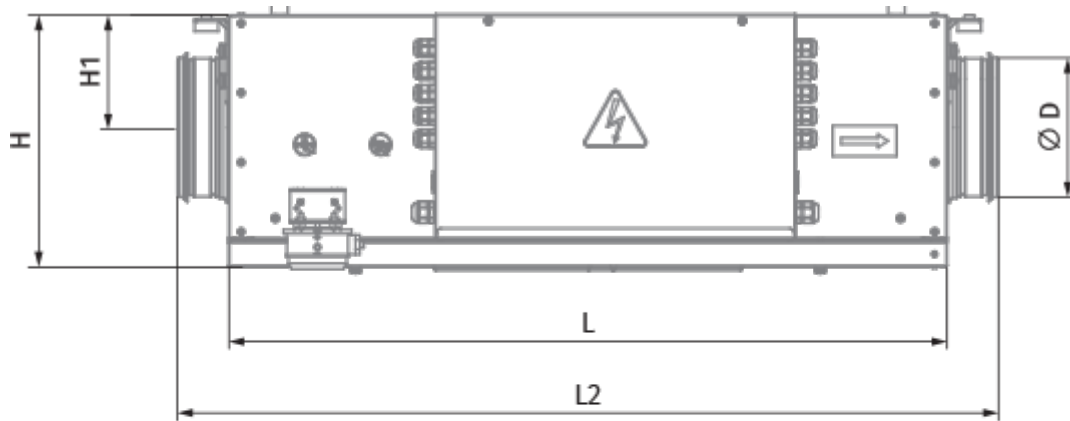


- Power of electrical reheater: 2400
- Maximum airflow: 430
- Sound pressure level LpA at 3 m: 31
- Filter: Coarse 90% / G4 (option: ePM1 70% / F7)
- Sound insulation
- Motor type: EC
- Reheater: Electric
- BMS protocol: ModBus
- Control: Wired control panel
- Casing material: Aluzinc steel

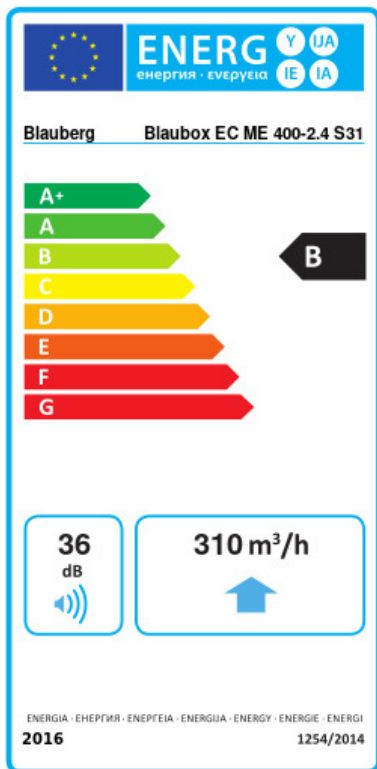
	Unit of measurement	Blaubox EC ME 400-2.4 S31
Connected air duct size	mm	200
Phases	-	1
Minimum supply voltage	V	230
Maximum supply voltage	V	230
Power supply frequency	Hz	50
Rated power	W	62
Power of electrical reheater	W	2400
Unit current	A	12
Maximum airflow	m ³ /h	430
Sound pressure level LpA at 3 m	dB(A)	31
Weight	kg	25
Filter	-	Coarse 90% / G4 (option: ePM1 70% / F7)
Transported air temperature (max)	°C	40
Transported air temperature (min)	°C	-30
Ambient air temperature min	°C	1
Ambient air temperature max	°C	40
Ambient air humidity max	%	80
Ingress protection rating	-	IP22
Ingress protection rating of the drive	-	IP44

Dimensions

D	H	L	L1	L2	W	W1	W2
200	350	850	903	972	400	514	313



Ecodesign




Trademark	Blauberg					
Model	Blaubox EC ME 400-2.4 S31					
Specific energy consumption (SEC) (kWh/(m ² /a))	Cold		Average		Warm	
	54	A+	26.9	B	11.4	E
Type of ventilation unit	Unidirectional					
Type of drive installed	Variable speed					
Type of heat recovery system	None					
Maximum flow rate (m ³ /h)	310					
Electric power input (W)	62					
Reference flow rate (m ³ /s)	0.061					
Reference pressure difference (Pa)	50					
Specific power input (SPI) (W/(m ³ /h))	0.105					
Control typology	Local demand control					
Maximum internal leakage rates (%)	2.7					
Maximum external leakage rates (%)	2.7					
Sound power level (dB(A))	36					
Declared typology	RVU UVU					
The annual electricity consumption (AEC) (kWh/a)	Cold		Average		Warm	
	55		55		55	
The annual heating saved (AHS) (kWh/a)	Cold		Average		Warm	
	5536		2830		1280	

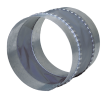
Accessories

Other accessories




Name	Photo	Description
FP 334x287x48 Coarse 90% / G4		G4 panel filter

FP 334x287x48 ePM1 70% / F7		F7 panel filter
-----------------------------	---	-----------------

For round ducts

Name	Photo	Description
EVA 200		Flexible anti-vibration connectors for round ducts



For round ducts

Name	Photo	Description
SD 200/600		Silencers for round ducts
SD 200/900		Silencers for round ducts
SD 200/1200		Silencers for round ducts

For round ducts

Name	Photo	Description
VKA 200		Air dampers for round ducts

Electric actuators

Name	Photo	Description
Belimo TF24		Electric actuators
Belimo TF230		Electric actuators