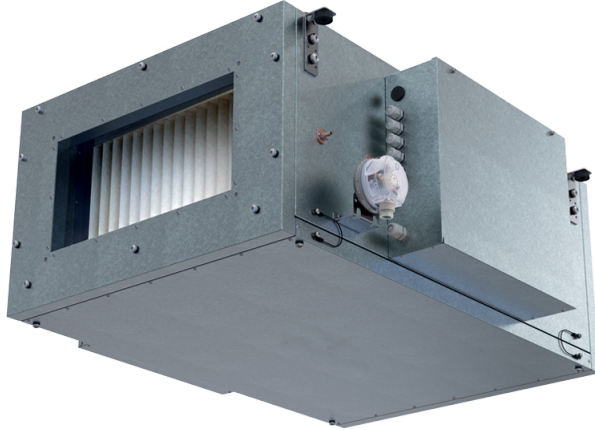


# Blaubox EC ME 3000-27 S31

Supply ventilation units with an electric heater

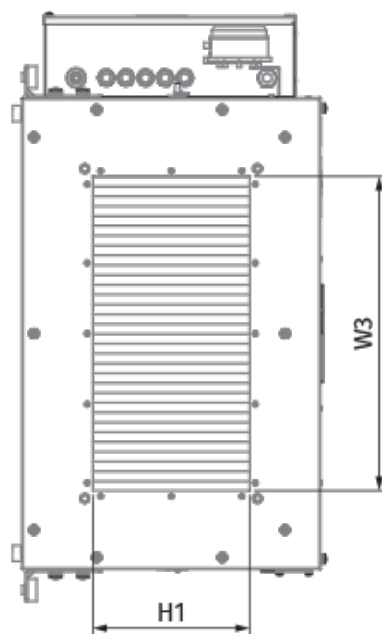
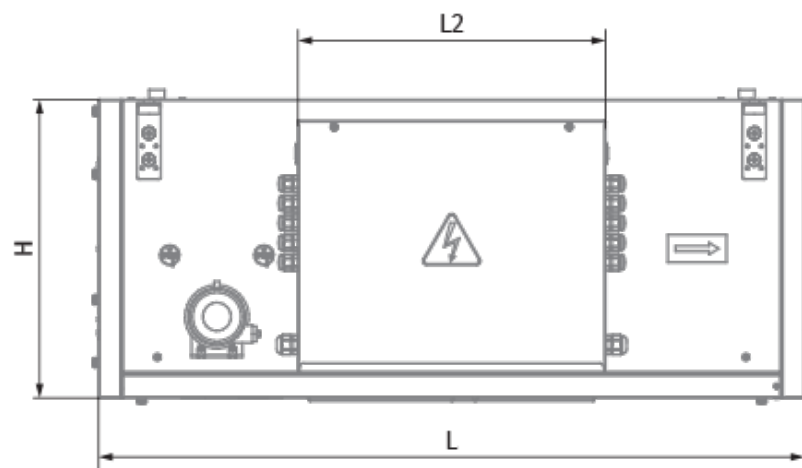
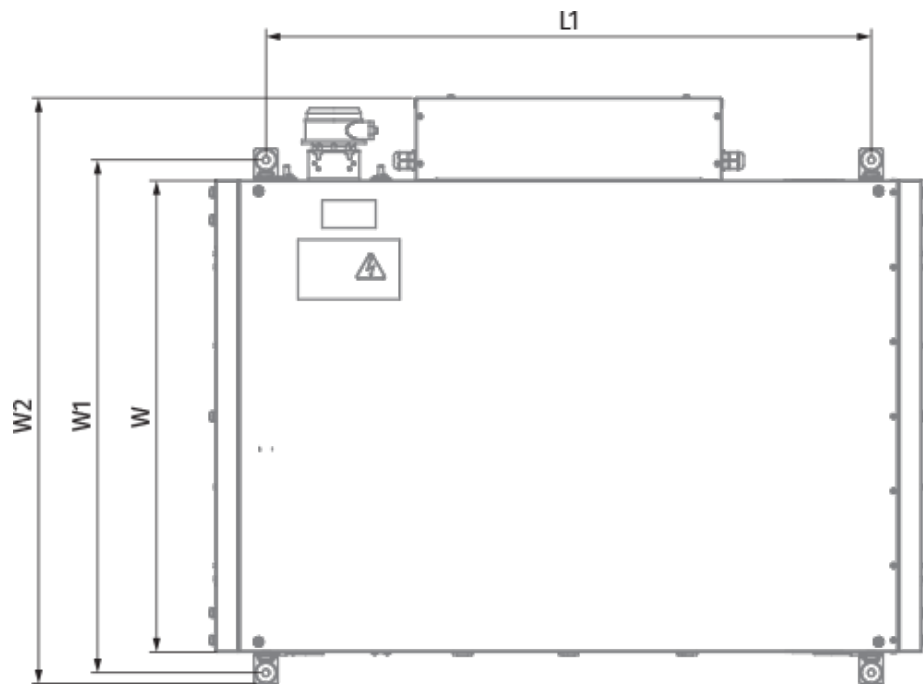


- Power of electrical reheater: 27000
- Maximum airflow: 3150
- Sound pressure level LpA at 3 m: 47
- Filter: Coarse 90 % / G4 (optional: ePM1 70 % / F7)
- Sound insulation
- Motor type: EC
- Reheater: Electric
- BMS protocol: ModBus
- Control: Wired control panel
- Casing material: Aluzinc steel

	Unit of measurement	Blaubox EC ME 3000-27 S31
Connected air duct size	mm	600x300
Phases	-	3
Minimum supply voltage	V	400
Maximum supply voltage	V	400
Power supply frequency	Hz	50
Rated power	W	472
Power of electrical reheater	W	27000
Unit current	A	44
Maximum airflow	m <sup>3</sup> /h	3150
Sound pressure level LpA at 3 m	dB(A)	47
Weight	kg	50
Filter	-	Coarse 90 % / G4 (optional: ePM1 70 % / F7)
Transported air temperature (max)	°C	40
Transported air temperature (min)	°C	-30
Ambient air temperature min	°C	1
Ambient air temperature max	°C	40
Ambient air humidity max	%	80
Ingress protection rating	-	IP22
Ingress protection rating of the drive	-	IP44

## Dimensions

H	H1	L	L1	W	W1	W2	W3
500	300	1200	1070	800	853	944	600





## Accessories

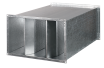
### Other accessories

Name	Photo	Description
FP 734x435x80 Coarse 90% / G4		G4 panel filter
FP 734x435x80 ePM1 70% / F7		F7 panel filter



### Other accessories

Name	Photo	Description
<a href="#">EVA 60x30</a>		Flexible anti-vibration connectors for rectangular ducts
<a href="#">SL 60x30</a>		Air dampers for rectangular ducts

### Other accessories

Name	Photo	Description
<a href="#">SD 60x30</a>		Silencers for rectangular ducts

### Other accessories

Name	Photo	Description
<a href="#">Belimo TF24</a>		Electric actuators
<a href="#">Belimo TF230</a>		Electric actuators