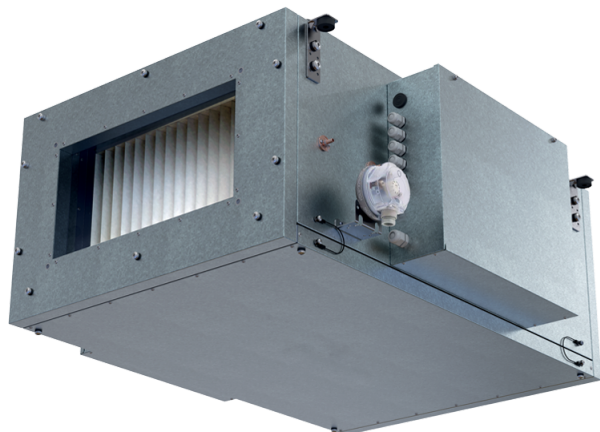


Blaubox EC ME 1000-6 S31

Supply ventilation units with an electric heater

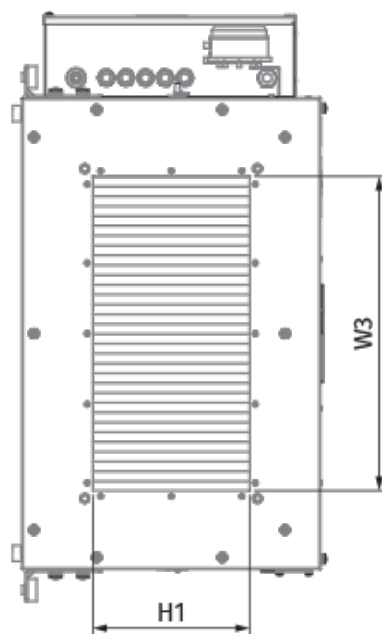
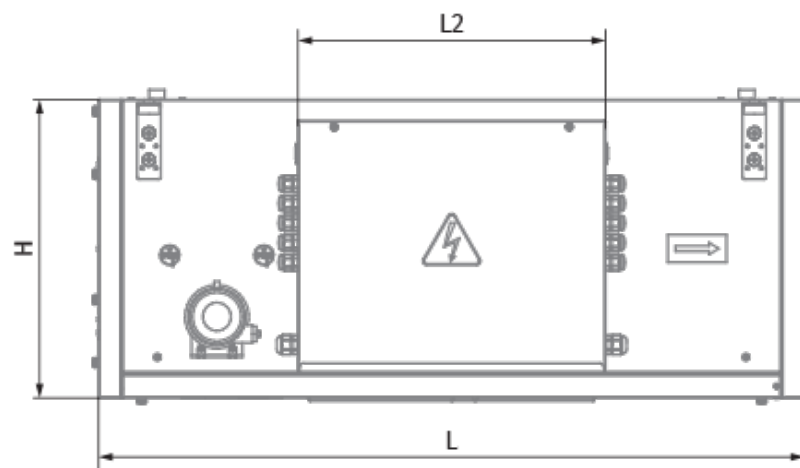
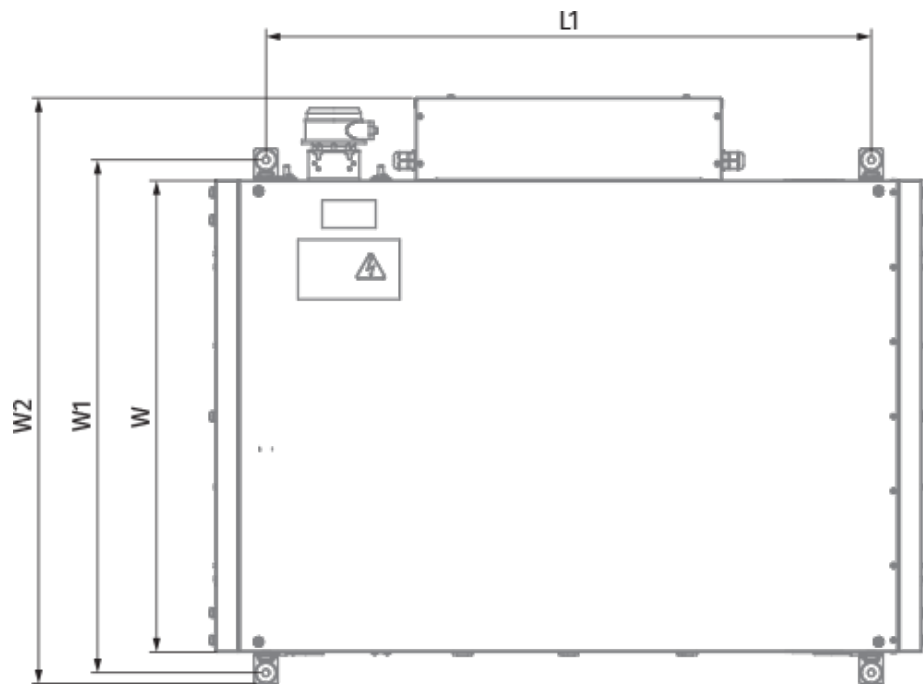


- Power of electrical reheater: 6000
- Maximum airflow: 1000
- Sound pressure level LpA at 3 m: 45
- Filter: Coarse 90% / G4 (опция: ePM1 70% / F7), Coarse 90% / G4 (option: ePM1 70% / F7)
- Sound insulation
- Motor type: EC
- Reheater: Electric
- BMS protocol: ModBus
- Control: Wired control panel
- Casing material: Aluzinc steel

	Unit of measurement	Blaubox EC ME 1000-6 S31
Connected air duct size	mm	400x200
Phases	-	3
Minimum supply voltage	V	400
Maximum supply voltage	V	400
Power supply frequency	Hz	50
Rated power	W	165
Power of electrical reheater	W	6000
Unit current	A	11
Maximum airflow	m ³ /h	1000
Sound pressure level LpA at 3 m	dB(A)	45
Weight	kg	30
Filter	-	Coarse 90% / G4 (опция: ePM1 70% / F7), Coarse 90% / G4 (option: ePM1 70% / F7)
Transported air temperature (max)	°C	40
Transported air temperature (min)	°C	-30
Ambient air temperature min	°C	1
Ambient air temperature max	°C	40
Ambient air humidity max	%	80
Ingress protection rating	-	IP22
Ingress protection rating of the drive	-	IP44



Dimensions

H	H1	L	L1	W	W1	W2	W3
380	200	900	770	600	653	746	400




Accessories

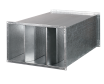
Other accessories

Name	Photo	Description
FP 536x316x48 Coarse 90% / G4		G4 panel filter
FP 536x316x48 ePM1 70% / F7		F7 panel filter


For rectangular ducts

Name	Photo	Description
EVA 40x20		Flexible anti-vibration connectors for rectangular ducts


For rectangular ducts

Name	Photo	Description
SD 40x20		Silencers for rectangular ducts

Airflow regulators

Name	Photo	Description
SL 40x20		Air dampers for rectangular ducts

Electric actuators

Name	Photo	Description
Belimo TF24		Electric actuators

[Belimo TF230](#)



Electric actuators