

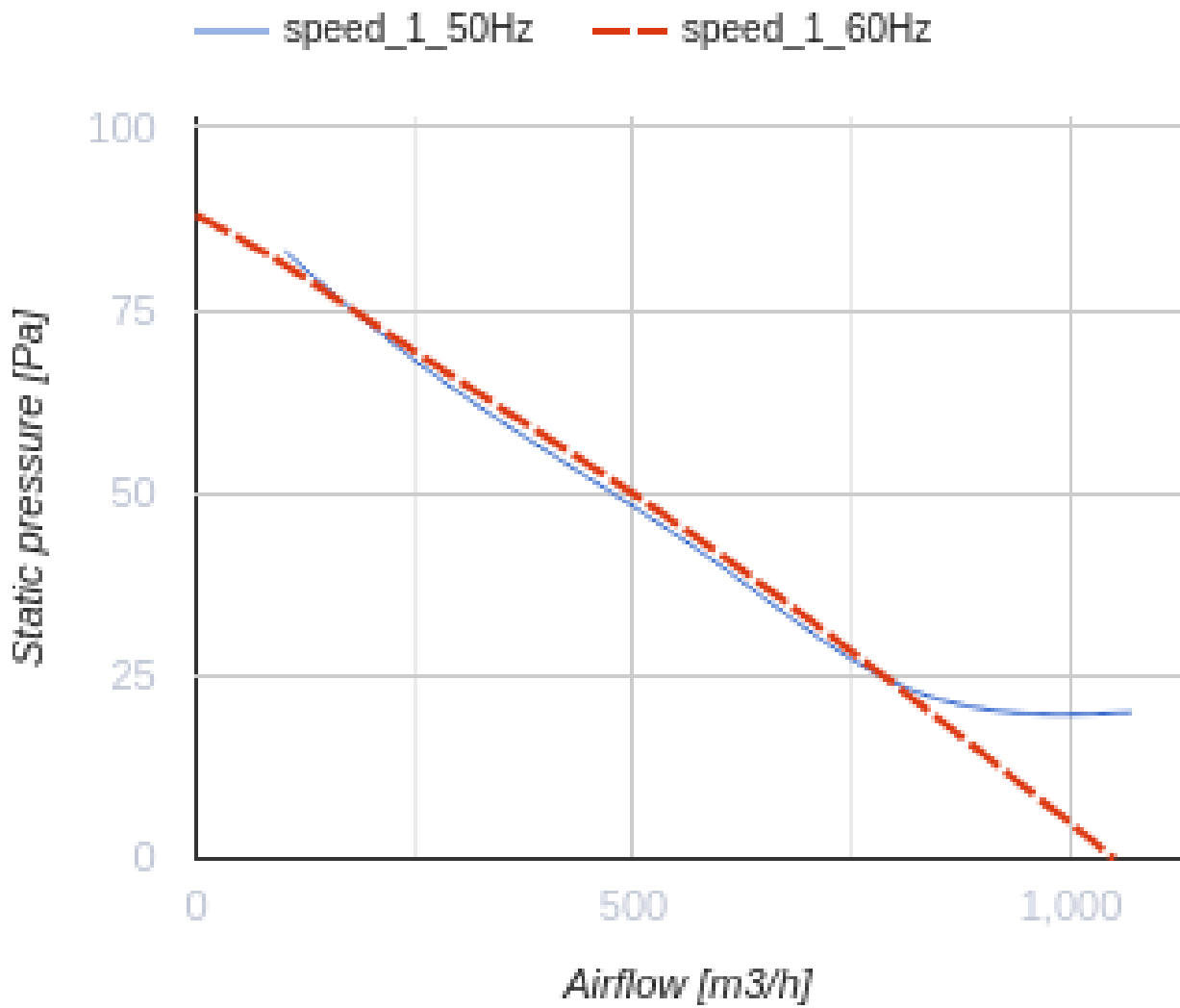


Axis-QRA 250

Inline axial fans aluminium impellers

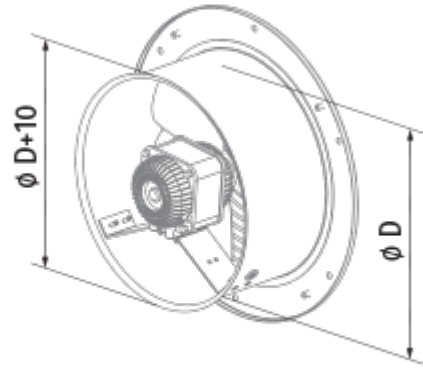
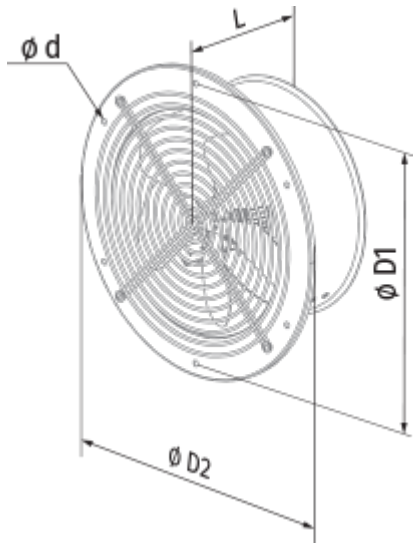
- Maximum airflow: 1070
- Sound pressure level LpA at 3 m: 37
- Motor type: AC
- Impeller type: Axial
- Casing material: Coated steel
- Installation in any position

	Unit of measurement	Axis-QRA 250	
Connected air duct size	mm	250	
Speed	-	1	
Phases	-	1	
Minimum supply voltage	V	220	
Maximum supply voltage	V	240	
Power supply frequency	Hz	50	60
Rated power	W	68	
Unit current	A	0.48	
Maximum airflow	m ³ /h	1070	
rotation speed at 50hz	-	1300	
Sound pressure level LpA at 3 m	dB(A)	37	
Weight	kg	4.1	
Transported air temperature (max)	°C	40	
Transported air temperature (min)	°C	-30	
Ingress protection rating	-	IPX4	
Ingress protection rating of the drive	-	IP44	



Dimensions

ØD	ØD1	ØD2	Ød	L
262	330	360	7	140




Ecodesign

Trademark	Blauberg
Model	Axis-QRA 250
Type of drive installed	External MSD or VSD
Type of heat recovery system	None
Nominal flow rate (m ³ /s)	0.115
Nominal external pressure (Pa)	55
Maximum external leakage rates (%)	2.7
Static efficiency (%)	9.3
Effective electric power input (kW)	0.069
Sound power level (dB(A))	68
Declared typology	NRVU UVU

Accessories

Other accessories

Name	Photo	Description
CDT E1.8		Thyristor speed controller