

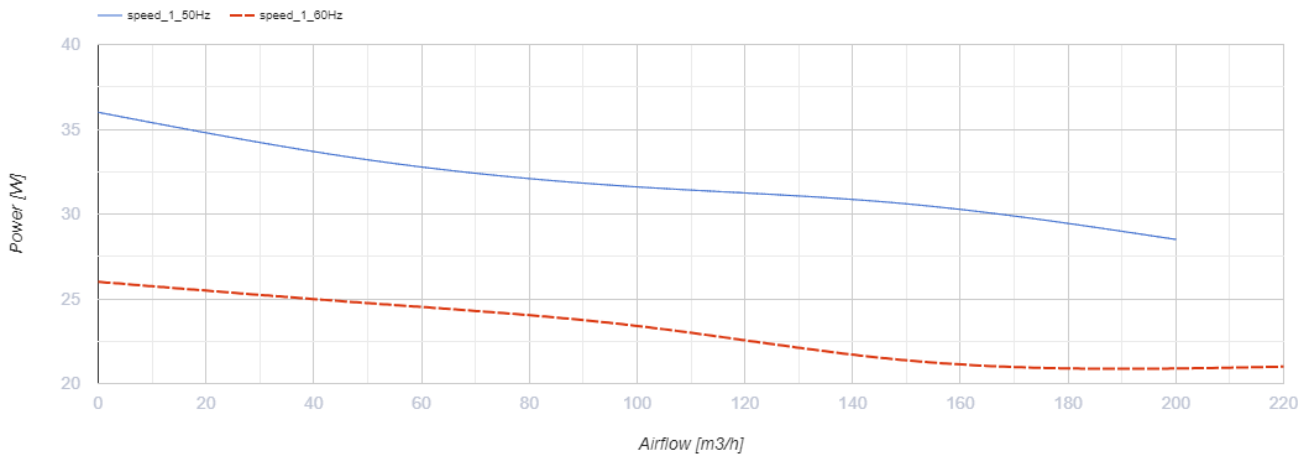
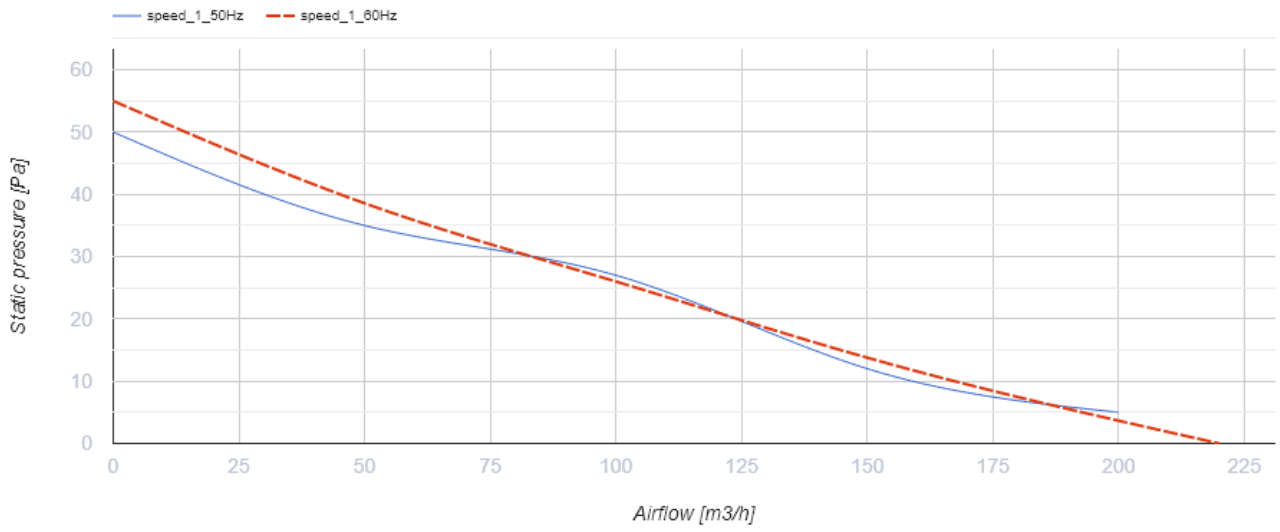


Axis-QRA 150

Axial wall fans

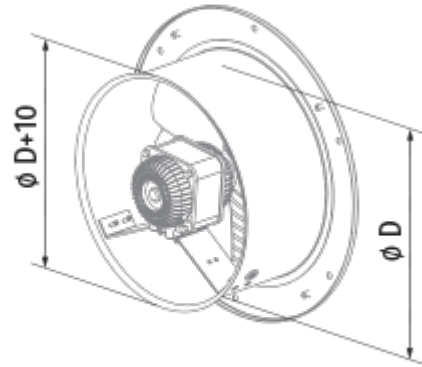
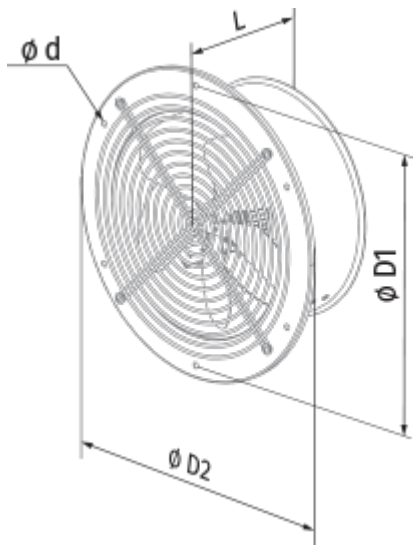
- Maximum airflow: 180
- Sound pressure level LpA at 3 m: 33
- Motor type: AC
- Impeller type: Axial
- Casing material: Coated steel
- Installation in any position

| | Unit of measurement | Axis-QRA 150 | |
|--|---------------------|--------------|----|
| Connected air duct size | mm | 150 | |
| Speed | - | 1 | |
| Phases | - | 1 | |
| Minimum supply voltage | V | 220 | |
| Maximum supply voltage | V | 240 | |
| Power supply frequency | Hz | 50 | 60 |
| Rated power | W | 26 | |
| Unit current | A | 0.19 | |
| Maximum airflow | m ³ /h | 180 | |
| rotation speed at 50hz | - | 1432 | |
| Sound pressure level LpA at 3 m | dB(A) | 33 | |
| Weight | kg | 1.91 | |
| Transported air temperature (max) | °C | 40 | |
| Transported air temperature (min) | °C | -30 | |
| Ingress protection rating | - | IPX4 | |
| Ingress protection rating of the drive | - | IP44 | |



Dimensions

| ØD | ØD1 | ØD2 | Ød | L |
|-----|-----|-----|----|-----|
| 162 | 190 | 220 | 7 | 120 |



Ecodesign

| | |
|---------------------------------------|---------------------|
| Trademark | Blauberg |
| Model | Axis-QRA 150 |
| Type of drive installed | External MSD or VSD |
| Type of heat recovery system | None |
| Nominal flow rate (m ³ /s) | 0.027 |
| Nominal external pressure (Pa) | 27 |
| Maximum external leakage rates (%) | 2.7 |
| Static efficiency (%) | 2.8 |
| Effective electric power input (kW) | 0.027 |
| Sound power level (dB(A)) | 53 |
| Declared typology | NRVU UVU |

Accessories

Thyristor speed controllers

| Name | Photo | Description |
|--------------------------|---|----------------------------|
| CDT E1.8 |  | Thyristor speed controller |