

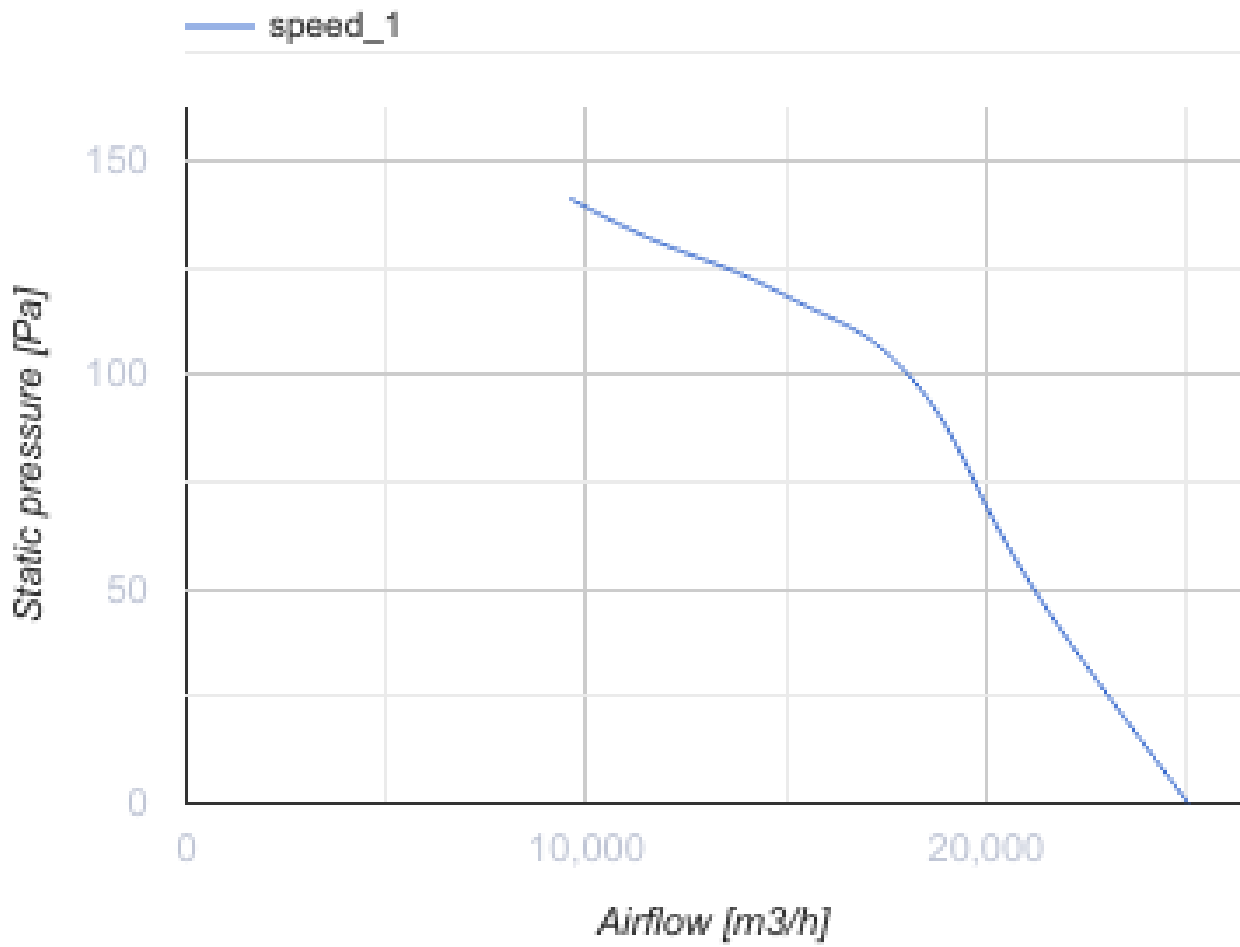


Axis-QR 800 6D

Axial wall fans

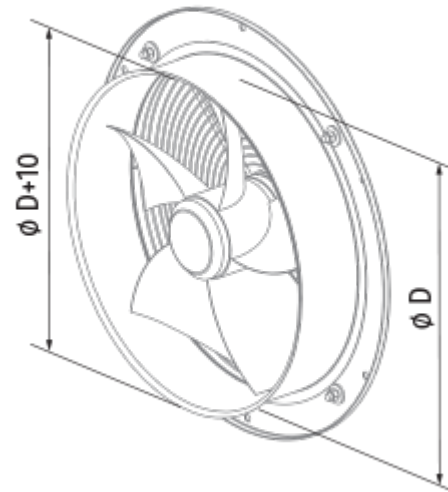
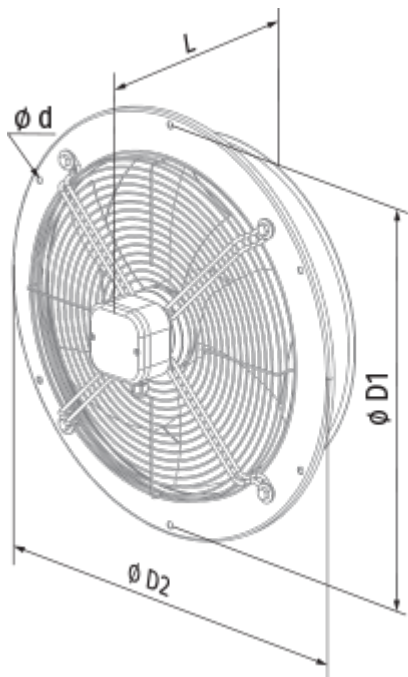
- Maximum airflow: 25000
- Sound pressure level LpA at 3 m: 67
- Motor type: AC
- Impeller type: Axial
- Casing material: Coated steel
- Installation in any position

| | Unit of measurement | Axis-QR 800 6D |
|-----------------------------------|---------------------|----------------|
| Connected air duct size | mm | 800 |
| Speed | - | 1 |
| Minimum supply voltage | V | 400 |
| Maximum supply voltage | V | 400 |
| Power supply frequency | Hz | 50 |
| Rated power | W | 1850 |
| Unit current | A | 3.7 |
| Maximum airflow | m ³ /h | 25000 |
| Sound pressure level LpA at 3 m | dB(A) | 67 |
| Weight | kg | 42 |
| Transported air temperature (max) | °C | 60 |
| Transported air temperature (min) | °C | -30 |
| Ingress protection rating | - | IP24 |




Dimensions

| ØD | ØD1 | ØD2 | Ød | L |
|-----|-----|-----|----|-----|
| 800 | 900 | 970 | 13 | 350 |



Accessories

Thyristor speed controllers

| Name | Photo | Description |
|--------------------------|---|----------------------------|
| CDT E1.8 |  | Thyristor speed controller |