



Axis-QR 710 6D

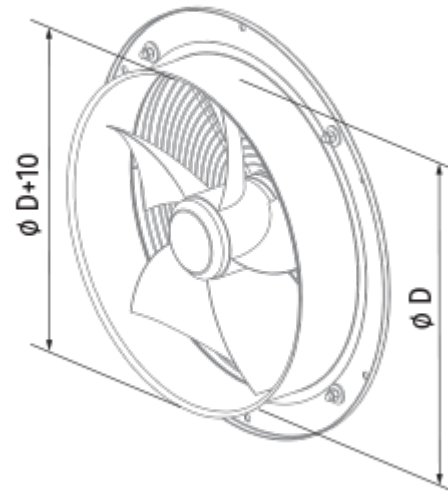
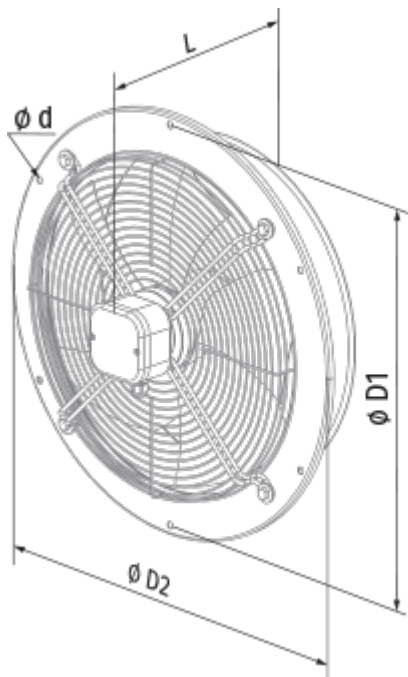
Axial wall fans

- Maximum airflow: 15440
- Sound pressure level LpA at 3 m: 63
- Motor type: AC
- Impeller type: Axial
- Casing material: Coated steel
- Installation in any position

	Unit of measurement	Axis-QR 710 6D
Connected air duct size	mm	710
Speed	-	1
Minimum supply voltage	V	400
Maximum supply voltage	V	400
Power supply frequency	Hz	50
Rated power	W	1150
Unit current	A	2
Maximum airflow	m ³ /h	15440
Sound pressure level LpA at 3 m	dB(A)	63
Weight	kg	31
Transported air temperature (max)	°C	60
Transported air temperature (min)	°C	-30
Ingress protection rating	-	IP24


Dimensions

ØD	ØD1	ØD2	Ød	L
725	820	890	13	350



Accessories

Thyristor speed controllers

Name	Photo	Description
CDT E1.8		Thyristor speed controller