

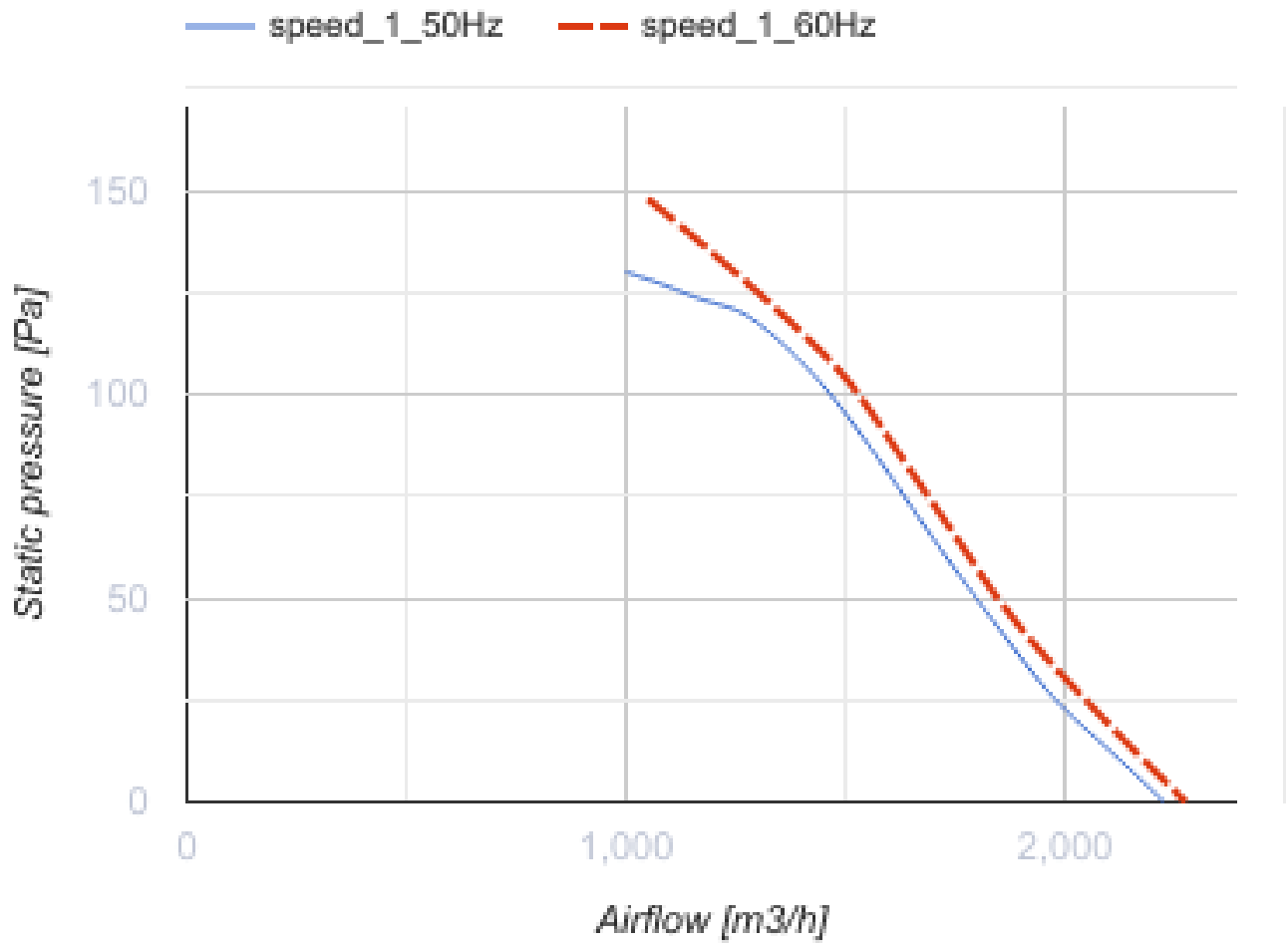


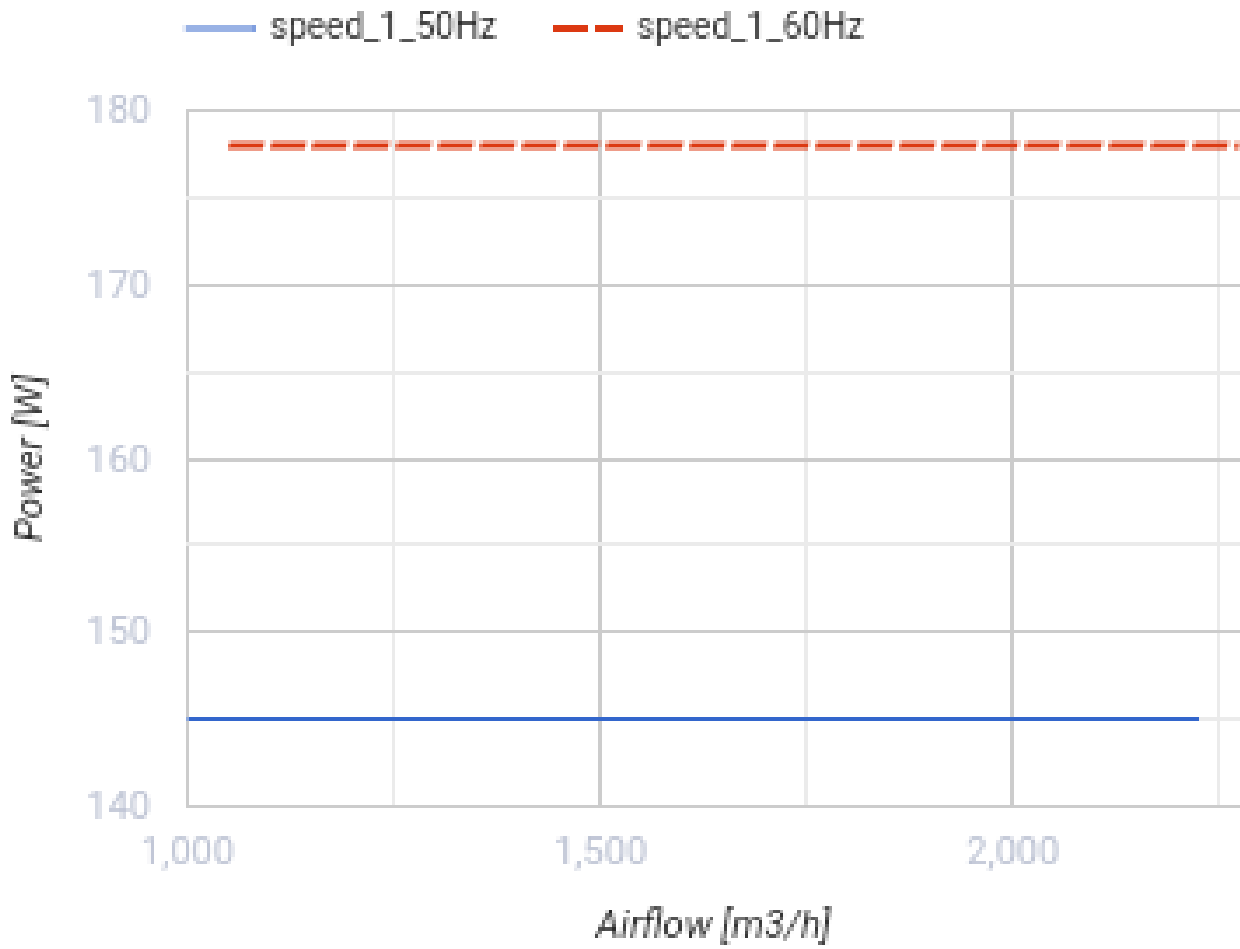
Axis-QR 300 2E

Axial wall fans

- Maximum airflow: 2230
- Sound pressure level LpA at 3 m: 53
- Motor type: AC
- Impeller type: Axial
- Casing material: Coated steel
- Installation in any position

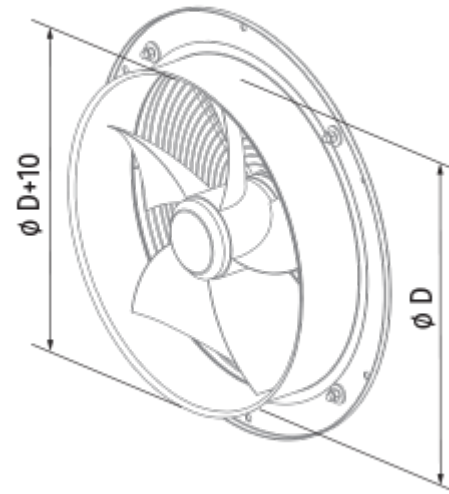
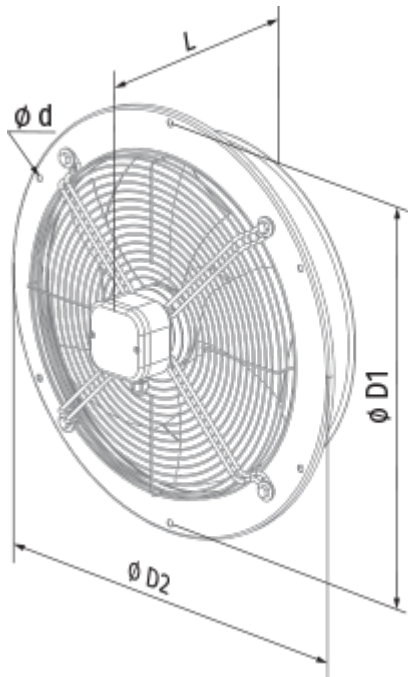
	Unit of measurement	Axis-QR 300 2E
Connected air duct size	mm	300
Speed	-	1
Minimum supply voltage	V	220
Maximum supply voltage	V	240
Power supply frequency	Hz	50/60
Rated power	W	145
Unit current	A	0.66
Maximum airflow	m ³ /h	2230
Sound pressure level LpA at 3 m	dB(A)	53
Weight	kg	5.9
Transported air temperature (max)	°C	60
Transported air temperature (min)	°C	-30
Ingress protection rating	-	IP24





Dimensions

ØD	ØD1	ØD2	Ød	L
317	380	397	9	145




Ecodesign

Trademark	Blauberg
Model	Axis-QR 300 2E
Type of drive installed	External MSD or VSD
Type of heat recovery system	None
Nominal flow rate (m ³ /s)	0.383
Nominal external pressure (Pa)	110
Maximum external leakage rates (%)	2.7
Static efficiency (%)	30.5
Effective electric power input (kW)	0.141
Sound power level (dB(A))	80
Declared typology	NRVU UVU

Accessories

Thyristor speed controllers

Name	Photo	Description
CDT E1.8		Thyristor speed controller