

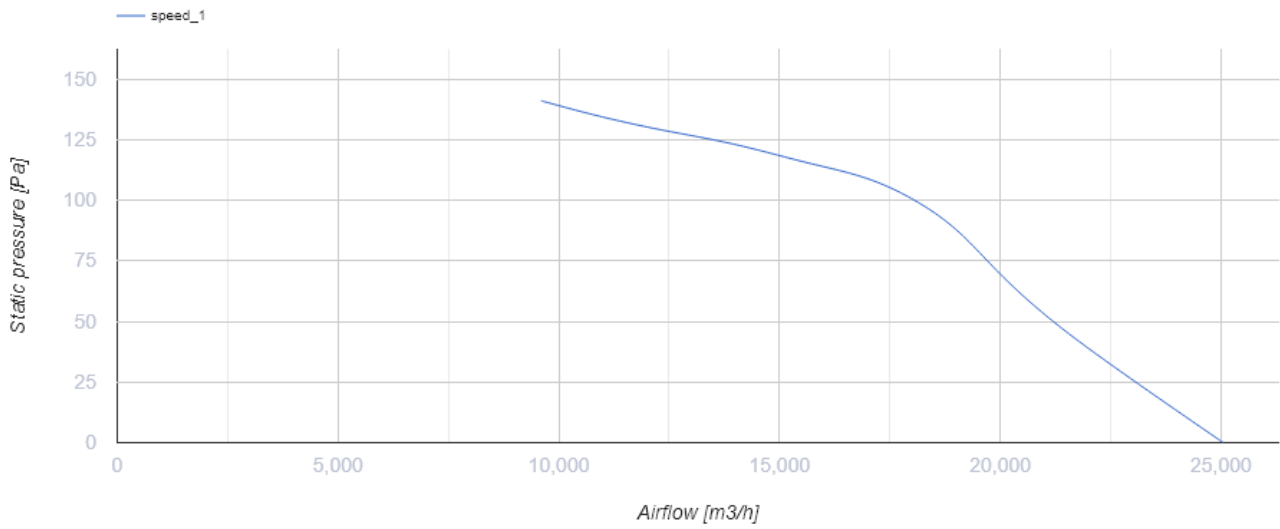


## Axis-Q 800 6D

Axial wall fans

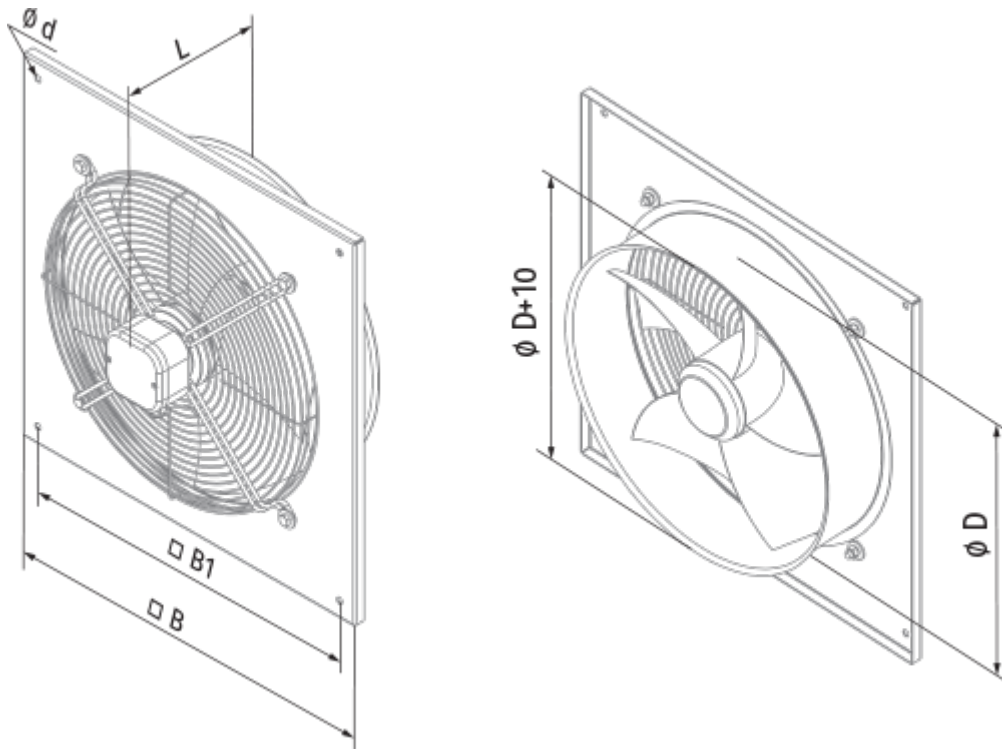
- Maximum airflow: 25000
- Sound pressure level LpA at 3 m: 67
- Motor type: AC
- Impeller type: Axial
- Casing material: Coated steel
- Installation in any position

	Unit of measurement	Axis-Q 800 6D
Connected air duct size	mm	800
Speed	-	1
Minimum supply voltage	V	400
Maximum supply voltage	V	400
Power supply frequency	Hz	50
Rated power	W	1850
Unit current	A	3.7
Maximum airflow	m <sup>3</sup> /h	25000
Sound pressure level LpA at 3 m	dB(A)	67
Weight	kg	44
Transported air temperature (max)	°C	60
Transported air temperature (min)	°C	-30
Ingress protection rating	-	IP24



## Dimensions

ØD	Ød	B	B1	L
800	13	970	910	350



## Accessories

**Thyristor speed controllers**

Name	Photo	Description
<a href="#">CDT E1.8</a>		Thyristor speed controller