

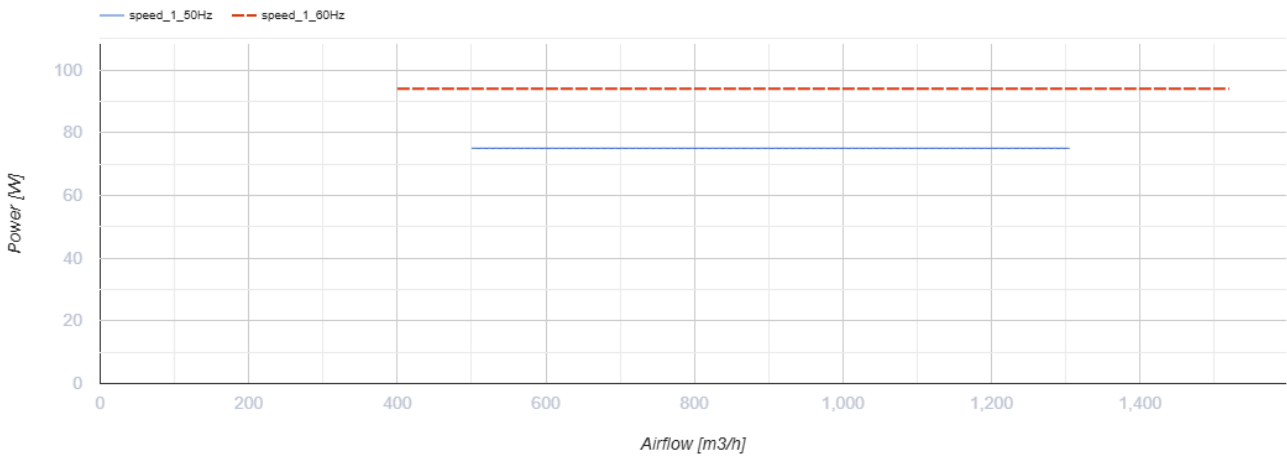
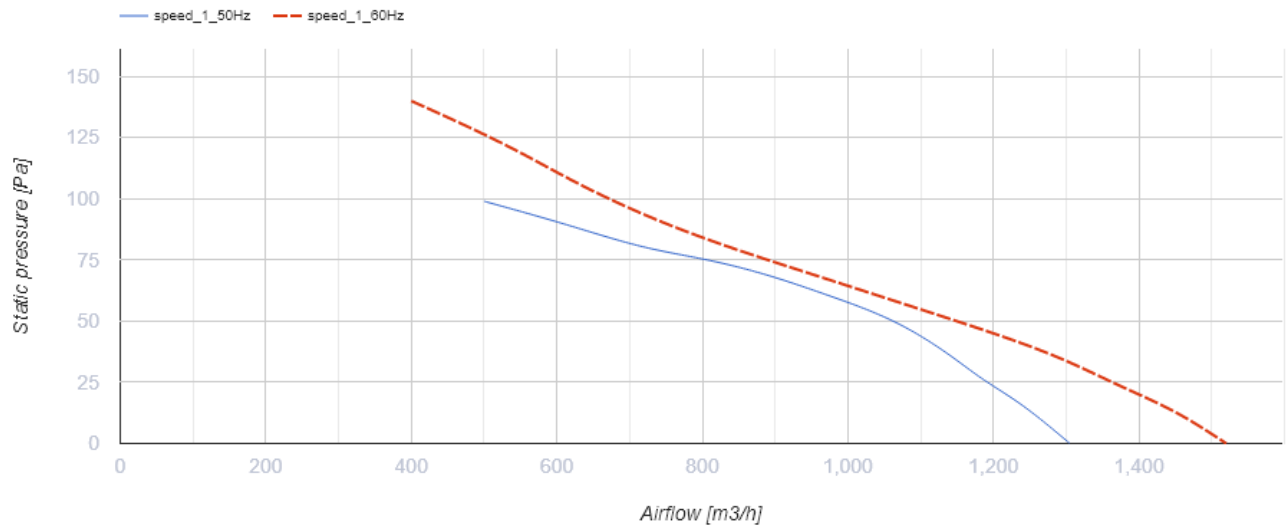


Axis-Q 300 4D

Axial wall fans

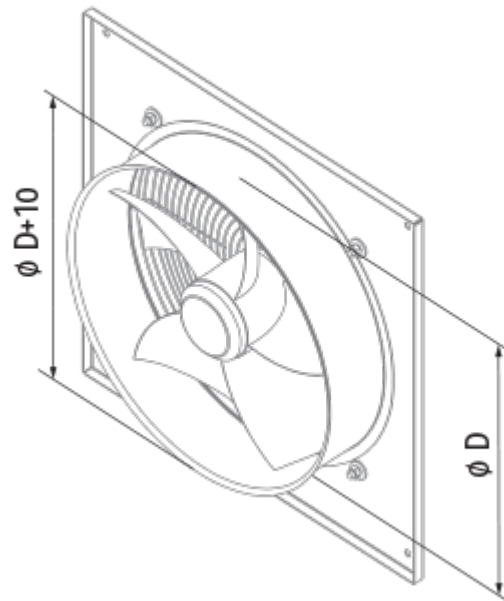
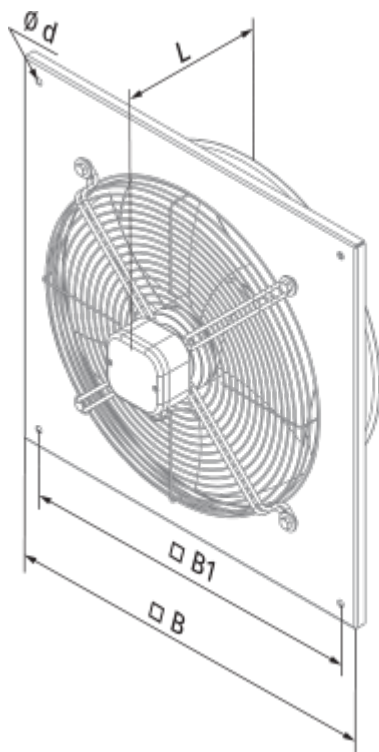
- Maximum airflow: 1310
- Sound pressure level LpA at 3 m: 45
- Motor type: AC
- Impeller type: Axial
- Casing material: Coated steel
- Installation in any position

	Unit of measurement	Axis-Q 300 4D
Connected air duct size	mm	300
Speed	-	1
Minimum supply voltage	V	400
Maximum supply voltage	V	400
Power supply frequency	Hz	50/60
Rated power	W	75
Unit current	A	0.22
Maximum airflow	m ³ /h	1310
Sound pressure level LpA at 3 m	dB(A)	45
Weight	kg	5.4
Transported air temperature (max)	°C	60
Transported air temperature (min)	°C	-30
Ingress protection rating	-	IP24



Dimensions

ØD	Ød	B	B1	L
317	9	430	380	145




Ecodesign

Trademark	Blauberg
Model	Axis-Q 300 4D
Type of drive installed	External MSD or VSD
Type of heat recovery system	None
Nominal flow rate (m ³ /s)	0.242
Nominal external pressure (Pa)	70
Maximum external leakage rates (%)	2.7
Static efficiency (%)	18.4
Effective electric power input (kW)	0.094
Sound power level (dB(A))	78
Declared typology	NRVU UVU

Accessories

Thyristor speed controllers

Name	Photo	Description
CDT E1.8		Thyristor speed controller