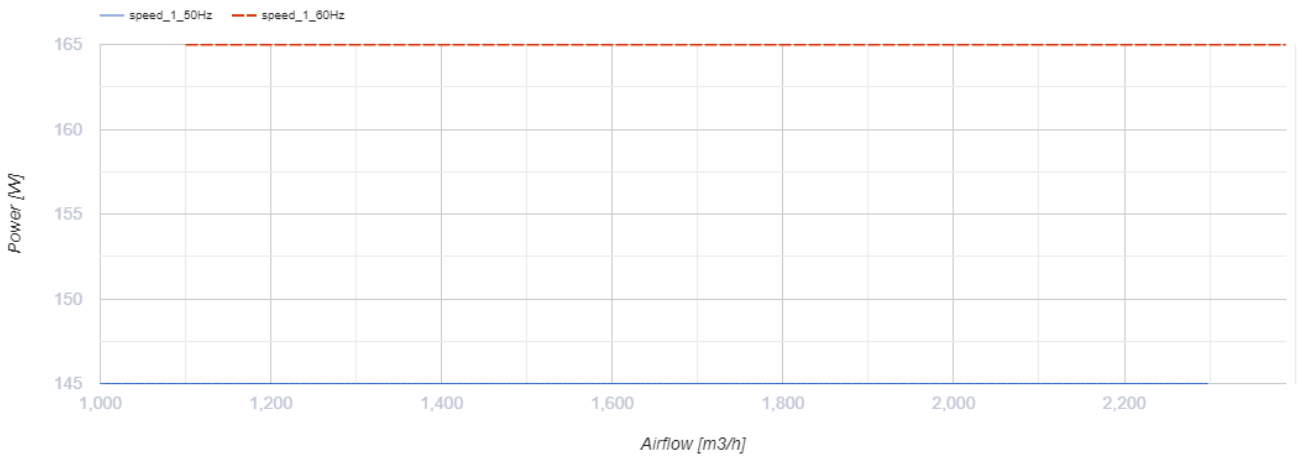
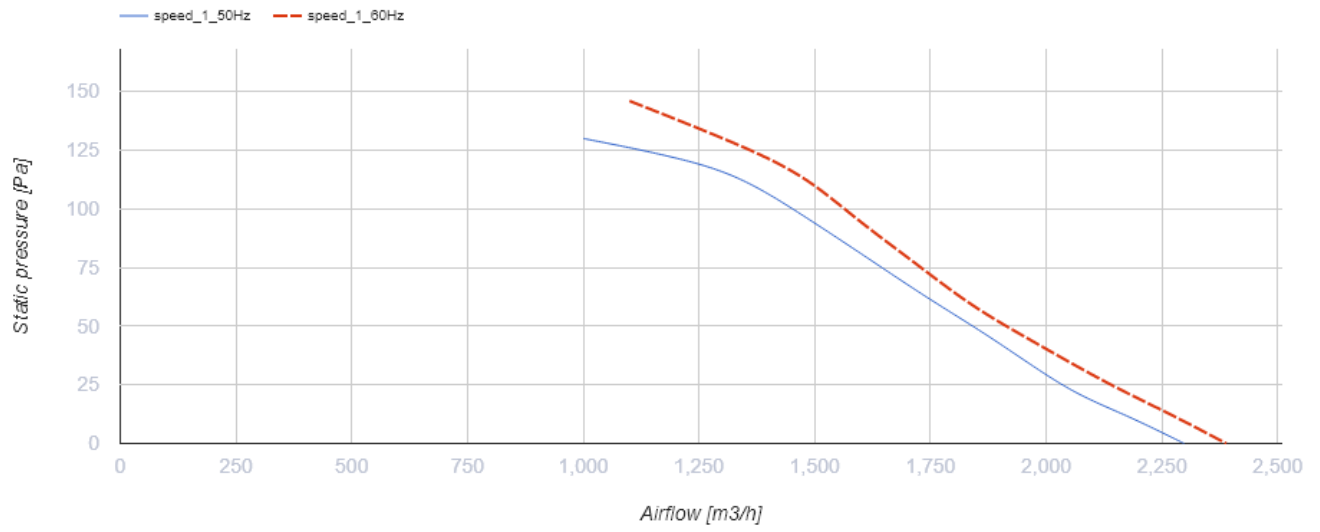


Axis-Q 300 2D

Axial wall fans

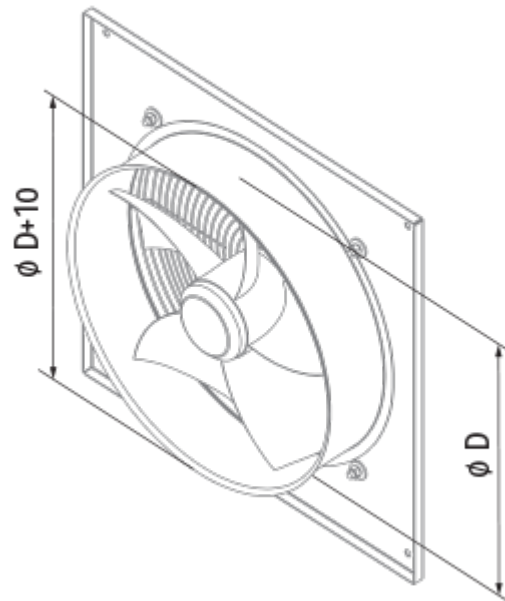
- Maximum airflow: 2310
- Sound pressure level LpA at 3 m: 52
- Motor type: AC
- Impeller type: Axial
- Casing material: Coated steel
- Installation in any position

	Unit of measurement	Axis-Q 300 2D
Connected air duct size	mm	300
Speed	-	1
Minimum supply voltage	V	400
Maximum supply voltage	V	400
Power supply frequency	Hz	50/60
Rated power	W	145
Unit current	A	0.25
Maximum airflow	m ³ /h	2310
Sound pressure level LpA at 3 m	dB(A)	52
Transported air temperature (max)	°C	60
Transported air temperature (min)	°C	-30
Ingress protection rating	-	IP24



Dimensions

ØD	Ød	B	B1	L
317	9	430	380	145



Ecodesign

Trademark	Blauberg
Model	Axis-Q 300 2D
Type of drive installed	External MSD or VSD
Type of heat recovery system	None
Nominal flow rate (m ³ /s)	0.38
Nominal external pressure (Pa)	110
Maximum external leakage rates (%)	2.7
Static efficiency (%)	30.2
Effective electric power input (kW)	0.141
Sound power level (dB(A))	80
Declared typology	NRVU UVU

Accessories

Thyristor speed controllers

Name	Photo	Description
CDT E1.8		Thyristor speed controller