

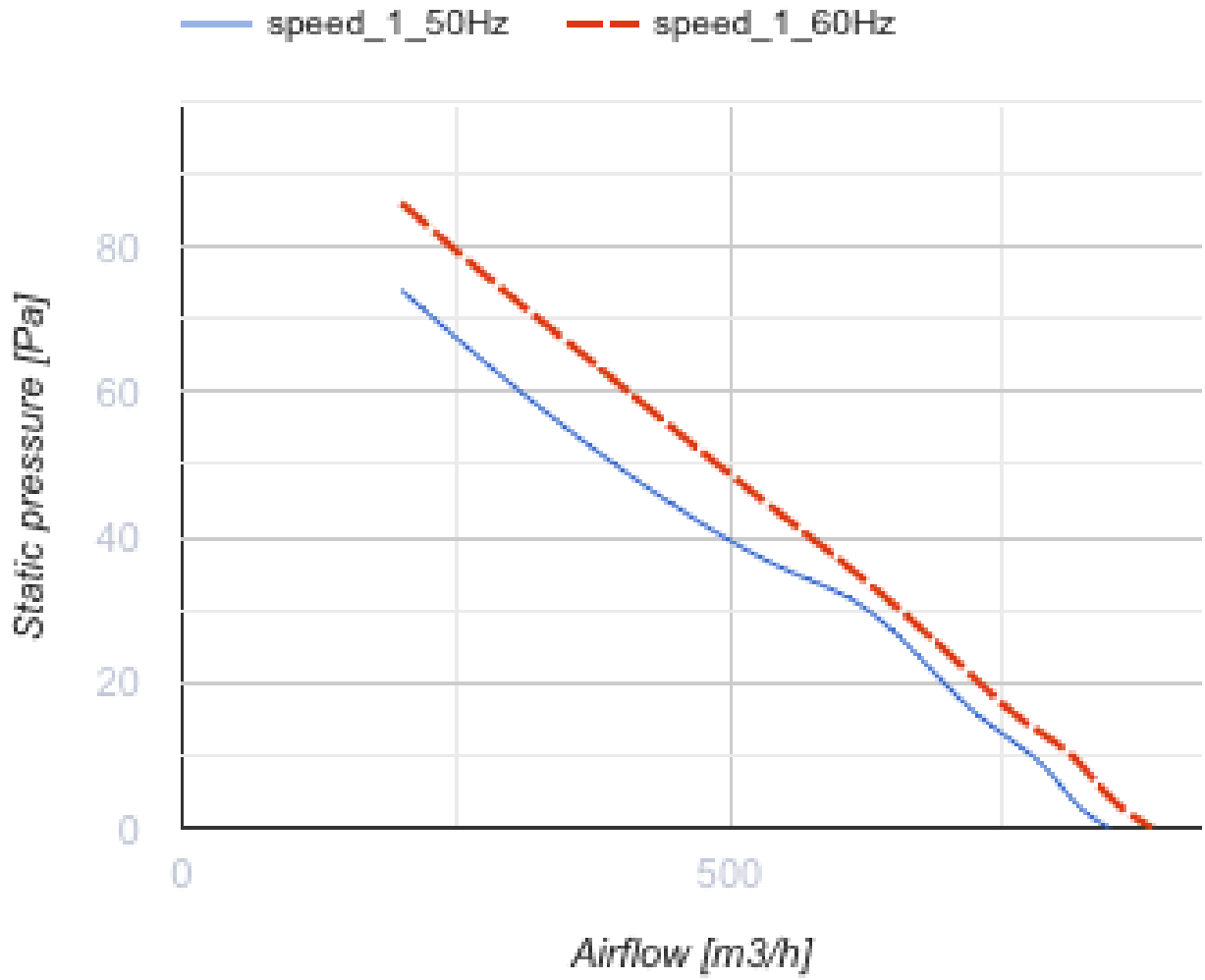


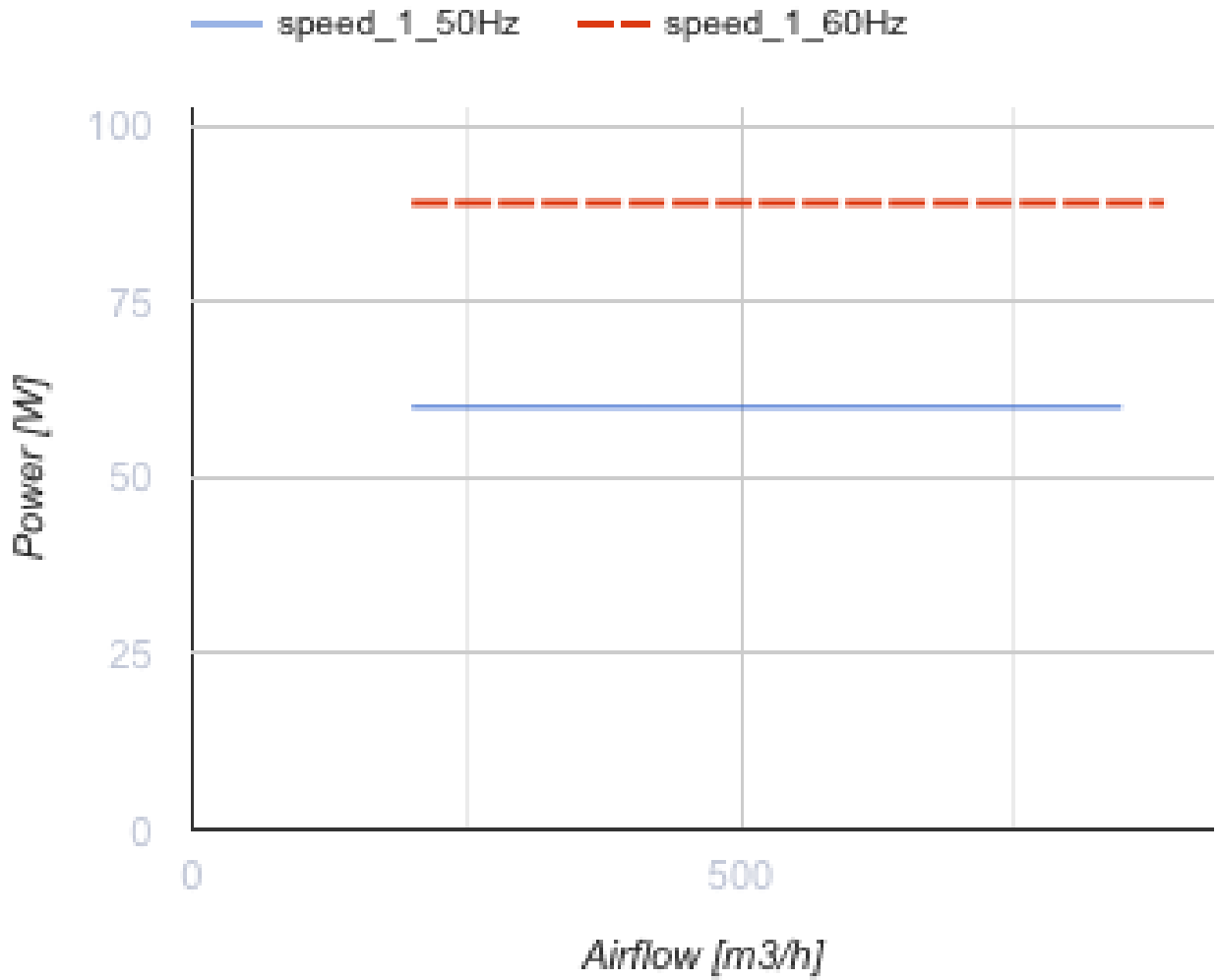
## Axis-Q 250 4D

Axial wall fans

- Maximum airflow: 850
- Sound pressure level LpA at 3 m: 38
- Motor type: AC
- Impeller type: Axial
- Casing material: Coated steel
- Installation in any position

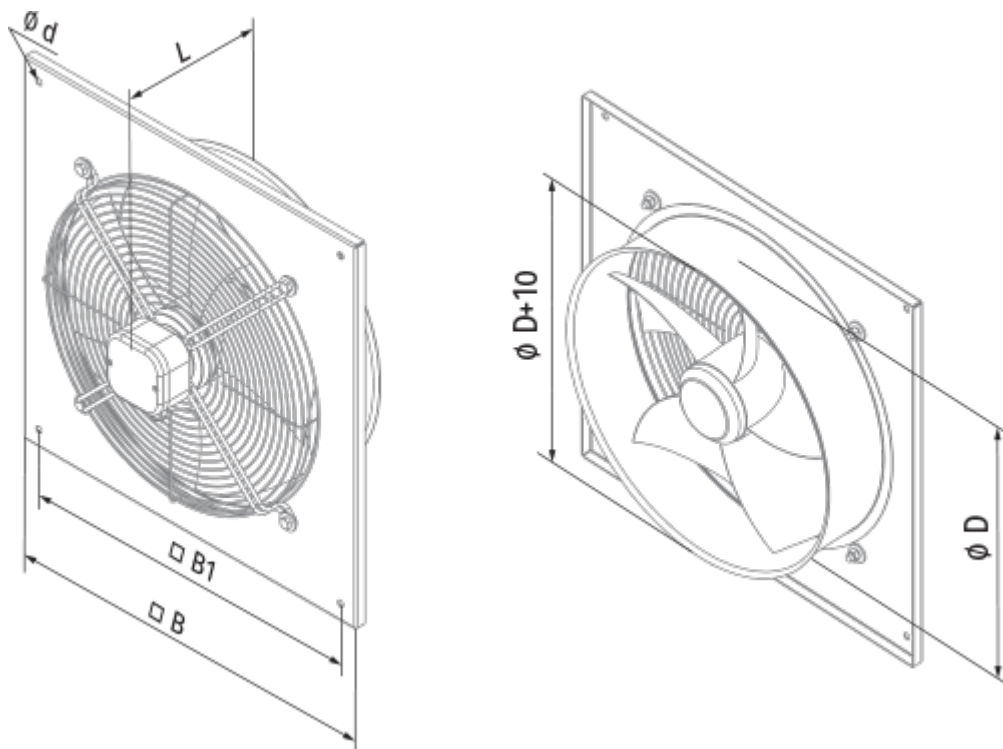
	Unit of measurement	Axis-Q 250 4D
Connected air duct size	mm	250
Speed	-	1
Minimum supply voltage	V	400
Maximum supply voltage	V	400
Power supply frequency	Hz	50/60
Rated power	W	60
Unit current	A	0.17
Maximum airflow	m <sup>3</sup> /h	850
Sound pressure level LpA at 3 m	dB(A)	38
Weight	kg	3.5
Transported air temperature (max)	°C	60
Transported air temperature (min)	°C	-30
Ingress protection rating	-	IP24






### Dimensions

ØD	Ød	B	B1	L
260	7	370	320	135



## Accessories

### Thyristor speed controllers

Name	Photo	Description
<a href="#">CDT E1.8</a>		Thyristor speed controller