

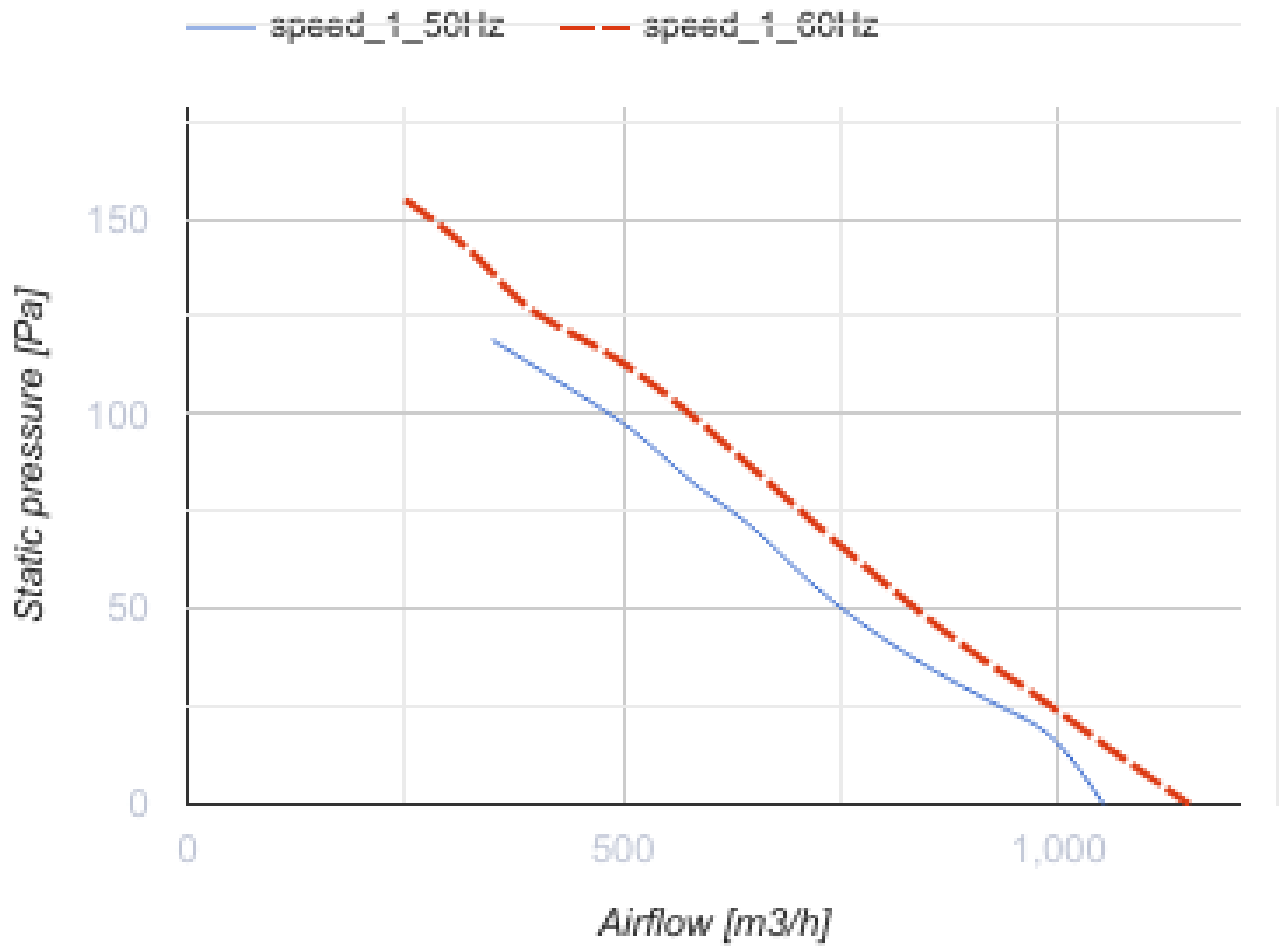


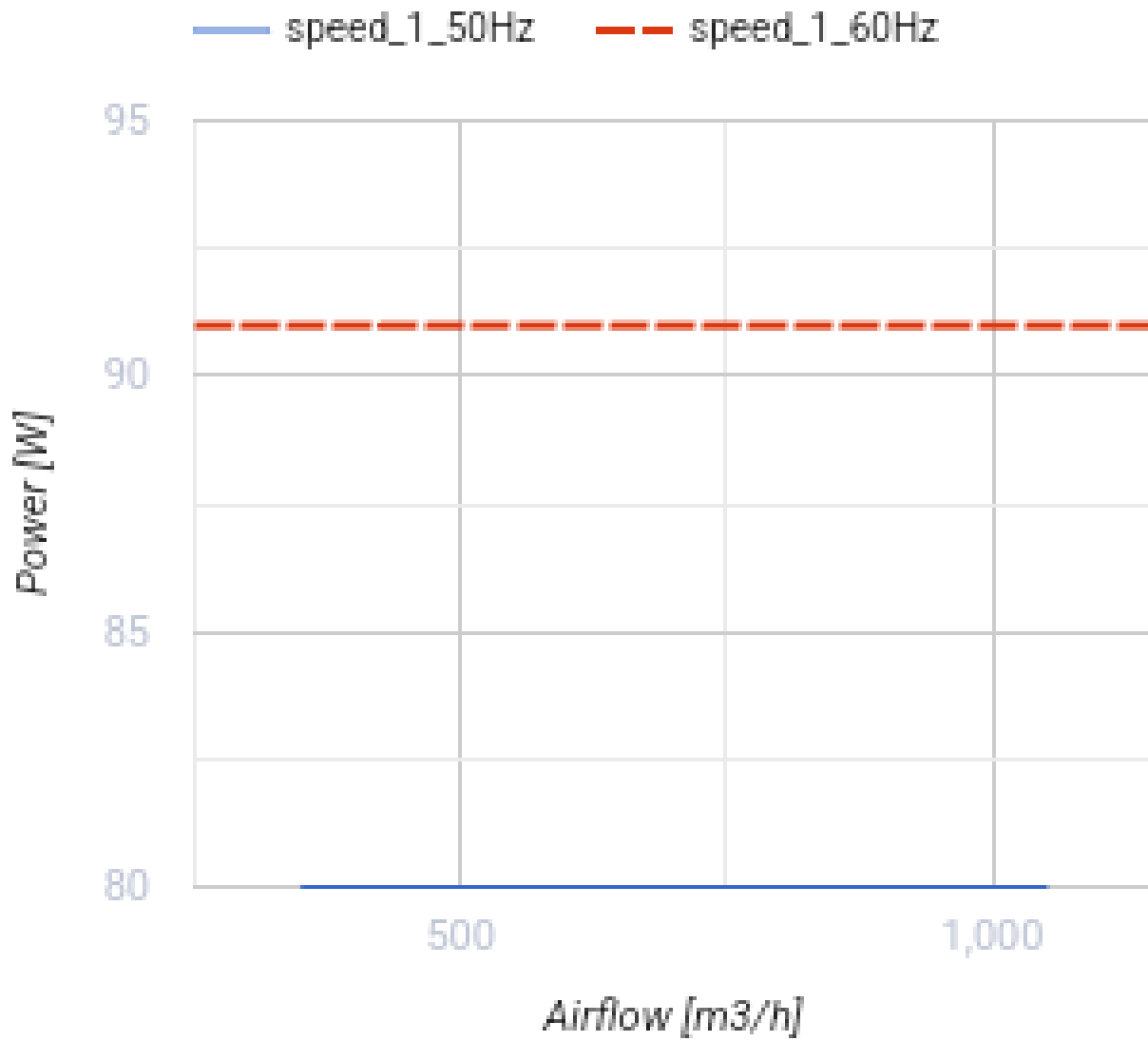
Axis-Q 250 2E

Wall-mounted axial fans

- Maximum airflow: 1050
- Sound pressure level LpA at 3 m: 50
- Motor type: AC
- Impeller type: Axial
- Casing material: Coated steel
- Installation in any position

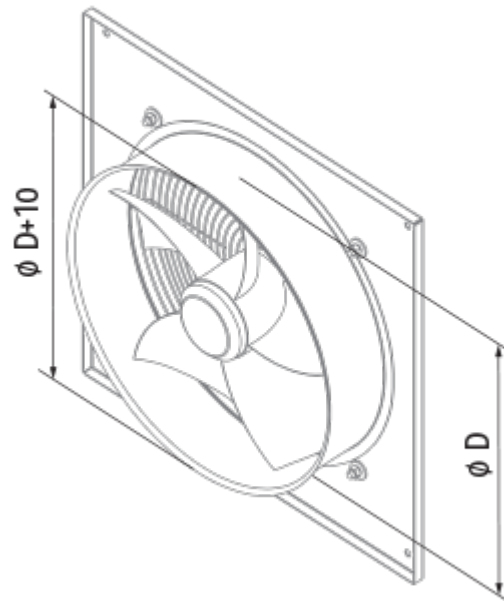
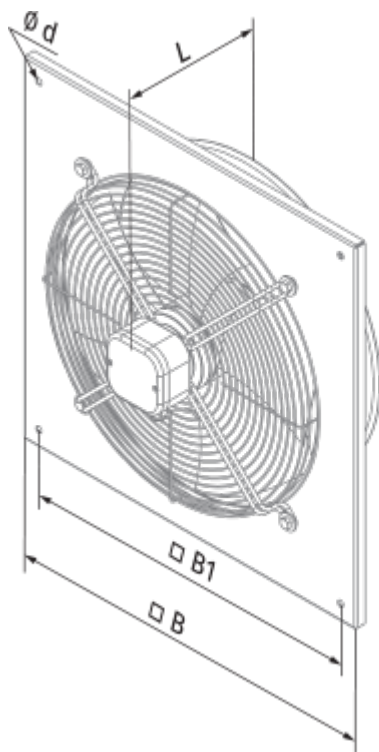
	Unit of measurement	Axis-Q 250 2E
Connected air duct size	mm	250
Speed	-	1
Minimum supply voltage	V	220
Maximum supply voltage	V	240
Power supply frequency	Hz	50/60
Rated power	W	80
Unit current	A	0.4
Maximum airflow	m ³ /h	1050
Sound pressure level LpA at 3 m	dB(A)	50
Weight	kg	4
Transported air temperature (max)	°C	60
Transported air temperature (min)	°C	-30
Ingress protection rating	-	IP24





Dimensions

ØD	Ød	B	B1	L
260	7	370	320	135




Ecodesign

Trademark	Blauberg
Model	Axis-Q 250 2E
Type of drive installed	External MSD or VSD
Type of heat recovery system	None
Nominal flow rate (m ³ /s)	0.146
Nominal external pressure (Pa)	92
Maximum external leakage rates (%)	2.7
Static efficiency (%)	16.8
Effective electric power input (kW)	0.082
Sound power level (dB(A))	80
Declared typology	NRVU UVU

Accessories

Other accessories

Name	Photo	Description
CDT E1.8		Thyristor speed controller