

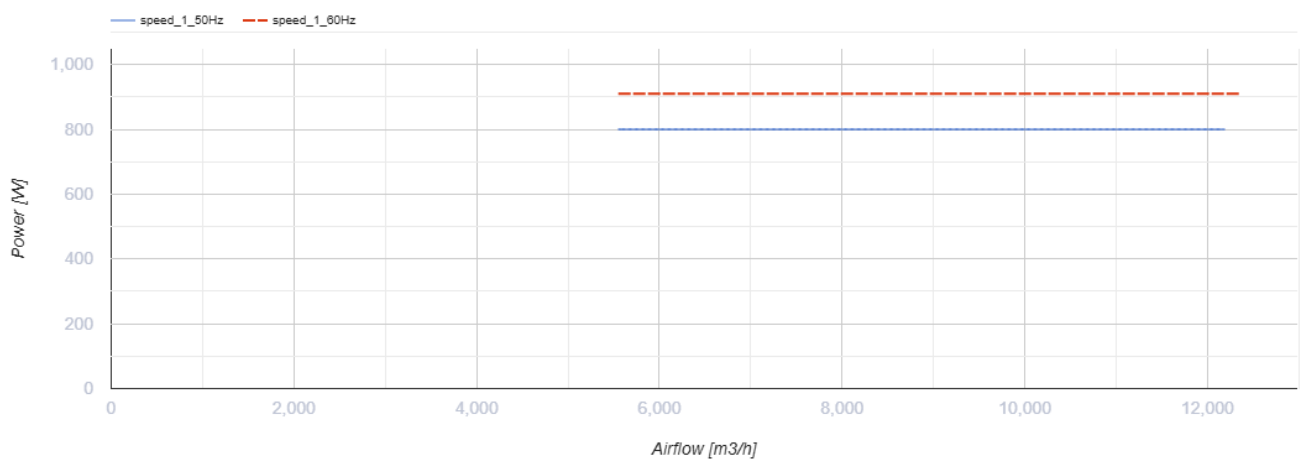
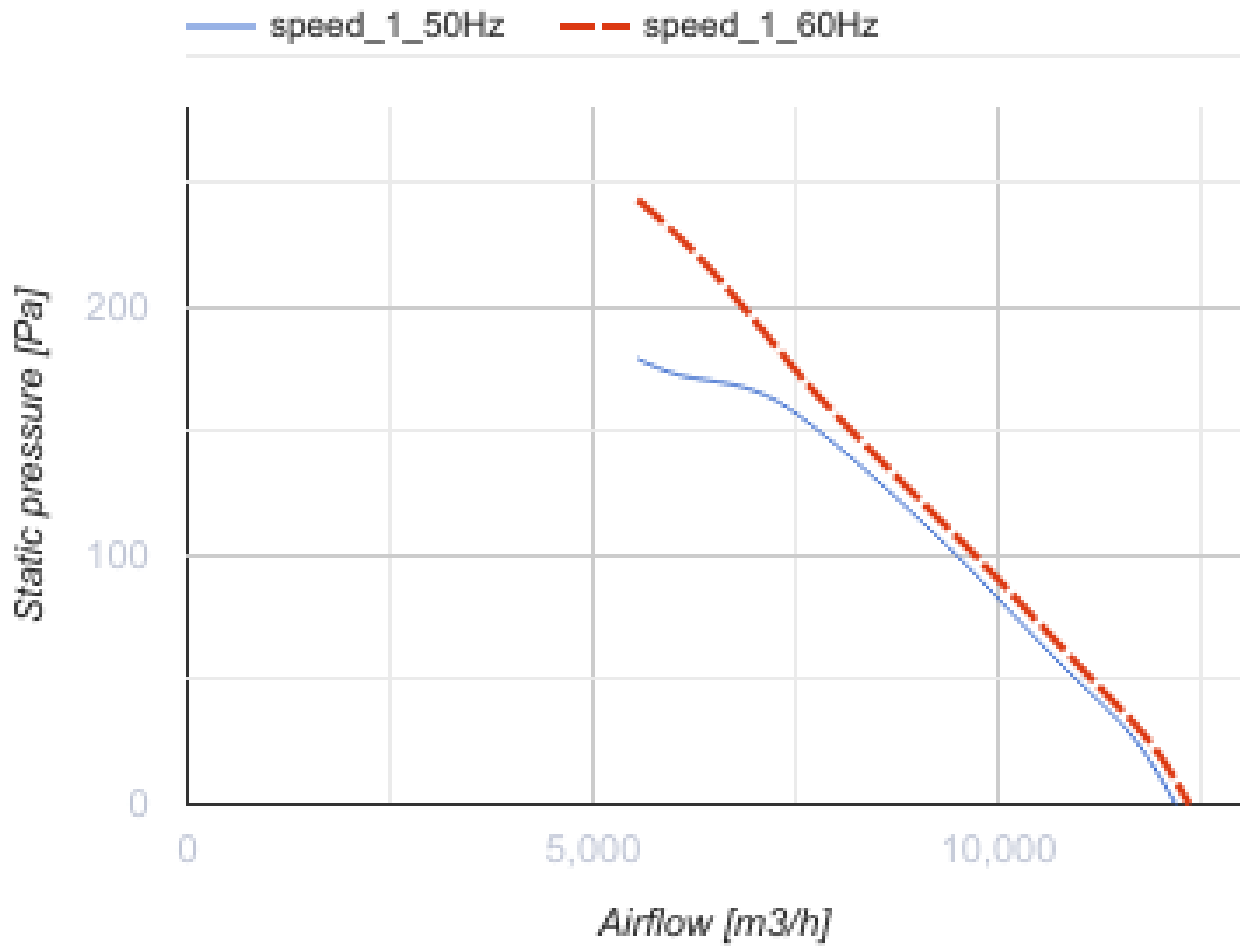


Axis-F 630 4D

Axial inline fans

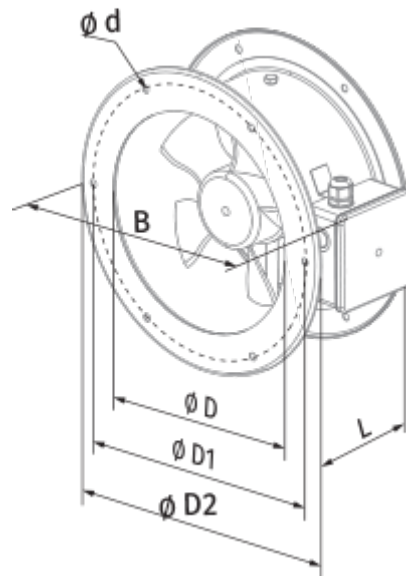
- Maximum airflow: 12200
- Sound pressure level LpA at 3 m: 69
- Motor type: AC
- Impeller type: Axial
- Casing material: Coated steel
- Installation in any position

	Unit of measurement	Axis-F 630 4D
Connected air duct size	mm	630
Speed	-	1
Minimum supply voltage	V	400
Maximum supply voltage	V	400
Power supply frequency	Hz	50/60
Rated power	W	800
Unit current	A	1.6
Maximum airflow	m ³ /h	12200
Sound pressure level LpA at 3 m	dB(A)	69
Weight	kg	16.4
Transported air temperature (max)	°C	60
Transported air temperature (min)	°C	-30
Ingress protection rating	-	IPX4



Dimensions

ØD	ØD1	ØD2	Ød	B	L
645	674	715	11,5	740	250



Accessories

Thyristor speed controllers

Name	Photo	Description
CDT E1.8		Thyristor speed controller