

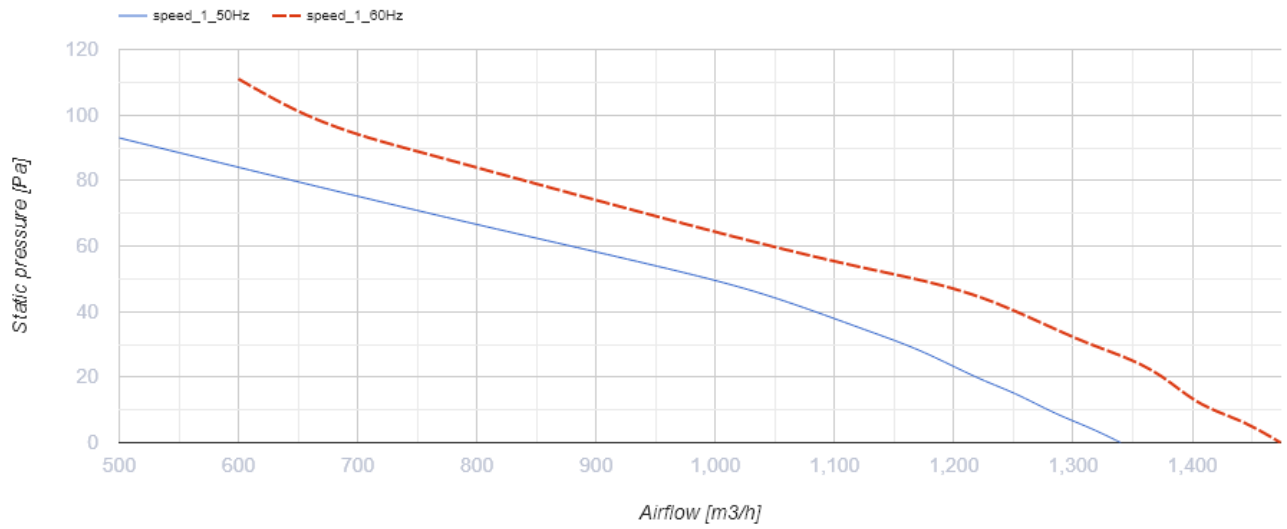


Axis-F 300 4E

Axial inline fans

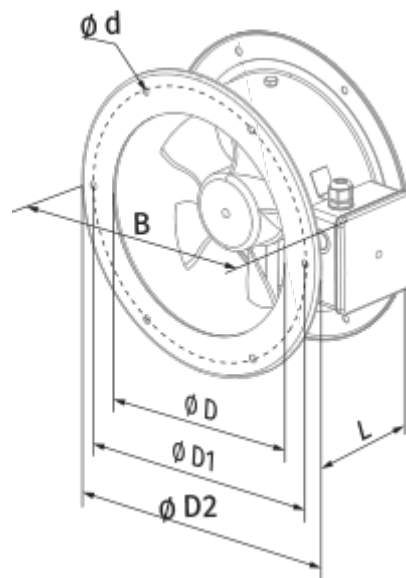
- Maximum airflow: 1340
- Sound pressure level LpA at 3 m: 44
- Motor type: AC
- Impeller type: Axial
- Casing material: Coated steel
- Installation in any position

	Unit of measurement	Axis-F 300 4E
Connected air duct size	mm	300
Speed	-	1
Minimum supply voltage	V	220
Maximum supply voltage	V	240
Power supply frequency	Hz	50/60
Rated power	W	75
Unit current	A	0.35
Maximum airflow	m ³ /h	1340
Sound pressure level LpA at 3 m	dB(A)	44
Weight	kg	6.2
Transported air temperature (max)	°C	60
Transported air temperature (min)	°C	-30
Ingress protection rating	-	IPX4

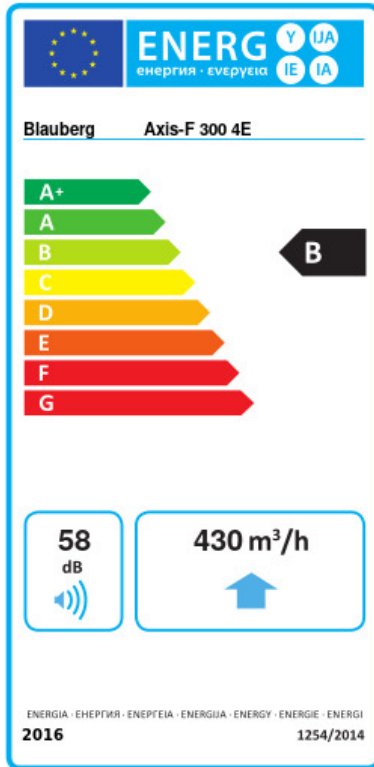


Dimensions

ØD	ØD1	ØD2	Ød	B	L
310	356	382	7,0	410	160



Ecodesign



Trademark	Blaubeerg			
Model	Axis-F 300 4E			
Specific energy consumption (SEC) (kWh/(m ² /a))	Cold	Average	Warm	
	53.5	A+	26.5	B 11 E
Type of ventilation unit	Unidirectional			
Type of drive installed	Variable speed			
Type of heat recovery system	None			
Maximum flow rate (m ³ /h)	430			
Electric power input (W)	75			
Reference flow rate (m ³ /s)	0.084			
Reference pressure difference (Pa)	50			
Specific power input (SPI) (W/(m ³ /h))	0.137			
Control typology	Local demand control			
Maximum external leakage rates (%)	2.7			
Sound power level (dB(A))	58			
Declared typology	RVU UVU			
The annual electricity consumption (AEC) (kWh/a)	Cold	Average	Warm	
	73	73	73	
The annual heating saved (AHS) (kWh/a)	Cold	Average	Warm	
	5536	2830	1280	

Accessories

Thyristor speed controllers

Name	Photo	Description
CDT E1.8		Thyristor speed controller