

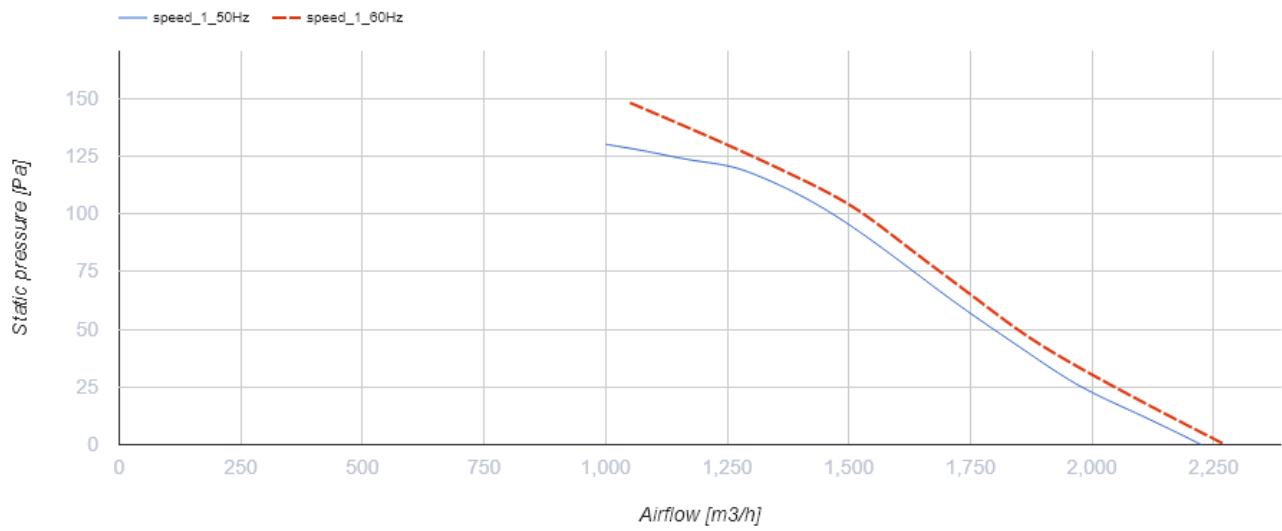


## Axis-F 300 2E

Axial inline fans

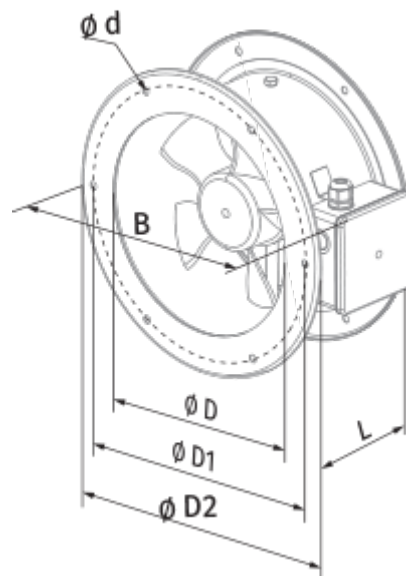
- Maximum airflow: 2230
- Sound pressure level LpA at 3 m: 53
- Motor type: AC
- Impeller type: Axial
- Casing material: Coated steel
- Installation in any position

	Unit of measurement	Axis-F 300 2E
Connected air duct size	mm	300
Speed	-	1
Minimum supply voltage	V	220
Maximum supply voltage	V	240
Power supply frequency	Hz	50/60
Rated power	W	145
Unit current	A	0.66
Maximum airflow	m <sup>3</sup> /h	2230
Sound pressure level LpA at 3 m	dB(A)	53
Weight	kg	6.2
Transported air temperature (max)	°C	60
Transported air temperature (min)	°C	-30
Ingress protection rating	-	IPX4



## Dimensions

ØD	ØD1	ØD2	Ød	B	L
310	356	382	7,0	410	160




## Ecodesign

Trademark	Blauberg
Model	Axis-F 300 2E
Type of drive installed	External MSD or VSD
Type of heat recovery system	None
Nominal flow rate (m <sup>3</sup> /s)	0.383
Nominal external pressure (Pa)	110
Maximum external leakage rates (%)	2.7
Static efficiency (%)	30.5
Effective electric power input (kW)	0.141
Sound power level (dB(A))	80
Declared typology	NRVU UVU

## Accessories

### Thyristor speed controllers

Name	Photo	Description
<a href="#">CDT E1.8</a>		Thyristor speed controller