

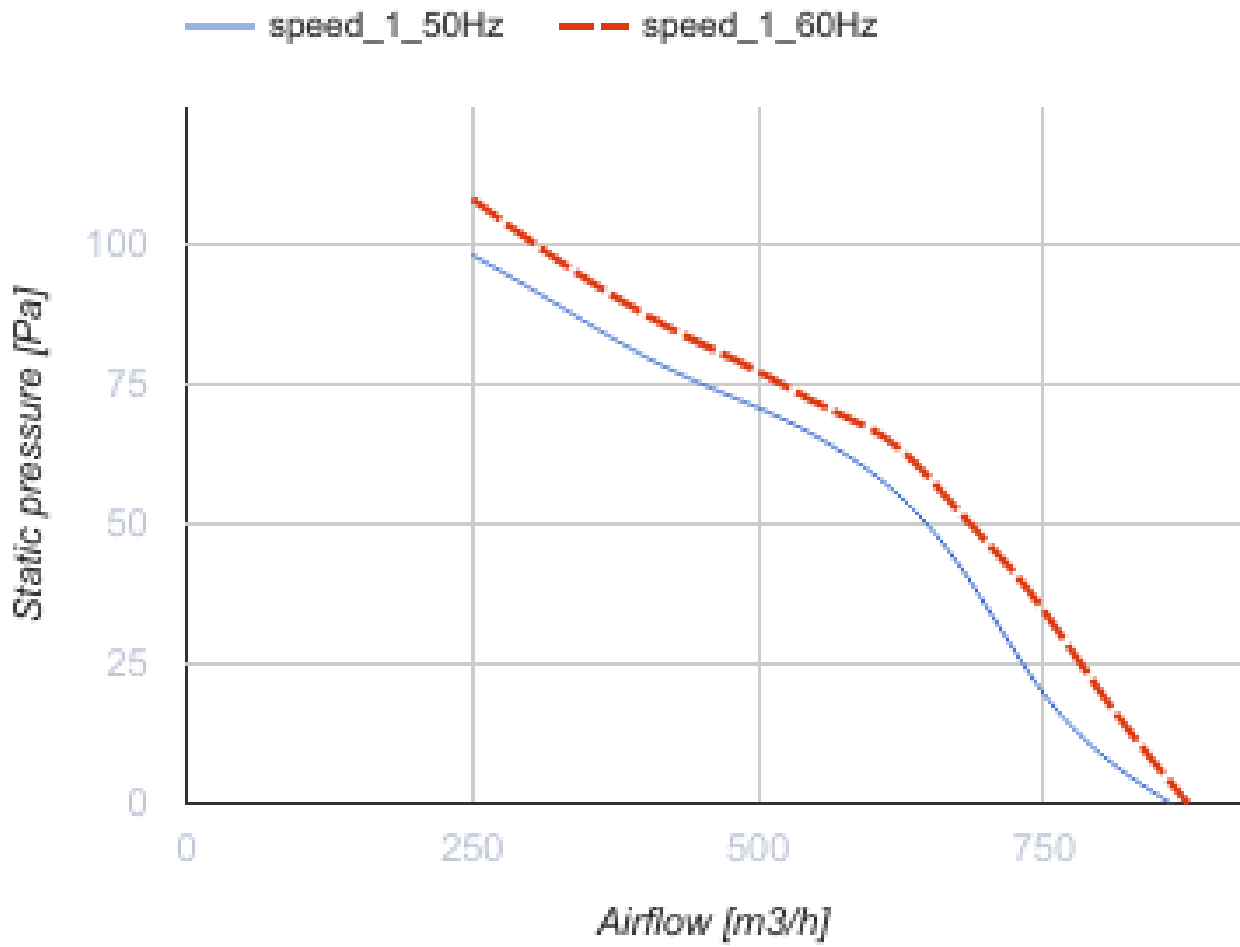


Axis-F 200 2E

Axial inline fans

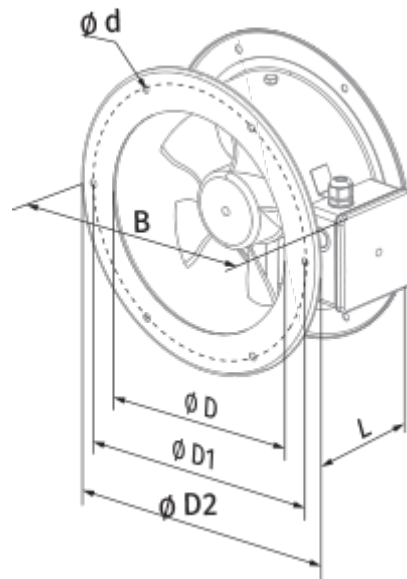
- Maximum airflow: 860
- Sound pressure level LpA at 3 m: 48
- Motor type: AC
- Impeller type: Axial
- Casing material: Coated steel
- Installation in any position

	Unit of measurement	Axis-F 200 2E
Connected air duct size	mm	200
Speed	-	1
Minimum supply voltage	V	220
Maximum supply voltage	V	240
Power supply frequency	Hz	50/60
Rated power	W	55
Unit current	A	0.26
Maximum airflow	m ³ /h	860
Sound pressure level LpA at 3 m	dB(A)	48
Weight	kg	3
Transported air temperature (max)	°C	60
Transported air temperature (min)	°C	-30
Ingress protection rating	-	IPX4

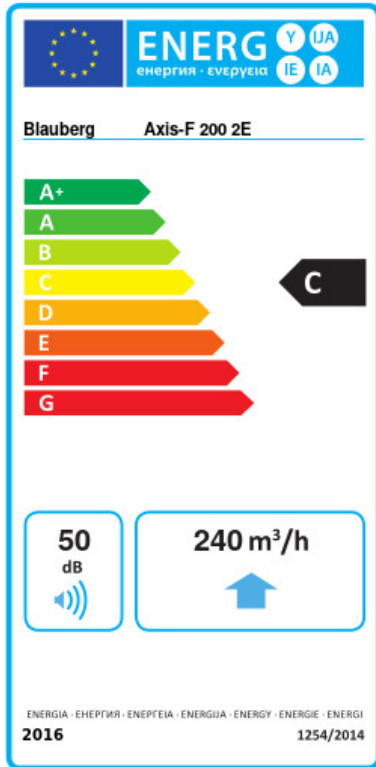


Dimensions

ØD	ØD1	ØD2	Ød	B	L
205	235	255	7,0	290	120



Ecodesign



Trademark	Blaubeerg					
Model	Axis-F 200 2E					
Specific energy consumption (SEC) (kWh/(m ² /a))	Cold		Average		Warm	
	53	A+	25.9	C	10.4	E
Type of ventilation unit	Unidirectional					
Type of drive installed	Variable speed					
Type of heat recovery system	None					
Maximum flow rate (m ³ /h)	240					
Electric power input (W)	55					
Reference flow rate (m ³ /s)	0.047					
Reference pressure difference (Pa)	50					
Specific power input (SPI) (W/(m ³ /h))	0.18					
Control typology	Local demand control					
Maximum external leakage rates (%)	2.7					
Sound power level (dB(A))	50					
Declared typology	RVU UVU					
The annual electricity consumption (AEC) (kWh/a)	Cold		Average		Warm	
	95		95		95	
The annual heating saved (AHS) (kWh/a)	Cold		Average		Warm	
	5536		2830		1280	

Accessories

Other accessories

Name	Photo	Description
CDT E1.8		Thyristor speed controller