



# Auto 125 T

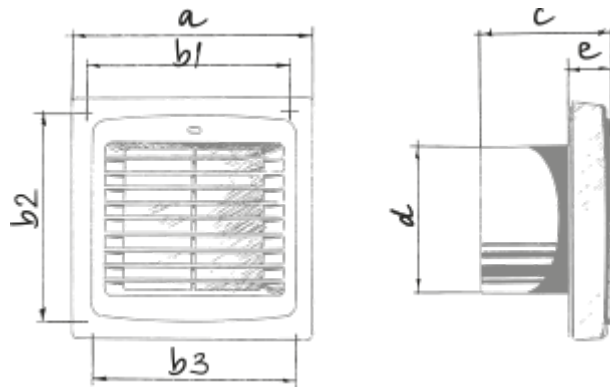
Extract fans

- Maximum airflow: 185
- Sound pressure level LpA at 3 m: 35
- Motor type: AC
- Timer: Turn off timer

	Unit of measurement	Auto 125 T
Connected air duct size	mm	125
Speed	-	1
Minimum supply voltage	V	220
Maximum supply voltage	V	240
Power supply frequency	Hz	50
Unit current	A	0.1
Maximum airflow	m <sup>3</sup> /h	185
Sound pressure level LpA at 3 m	dB(A)	35
Ingress protection rating	-	IP24

## Dimensions

a	b1	b2	b3	c	Ø d	e
186	128	173	174	98	125	33



## Ecodesign



Trademark	Blauberg					
Model	Auto 125 T					
Specific energy consumption (SEC) (kWh/(m <sup>2</sup> /a))	Cold		Average		Warm	
	-34.5	A	-16.5	E	-6.3	F
Type of ventilation unit	Unidirectional					
Type of drive installed	Multi-speed					
Type of heat recovery system	None					
Maximum flow rate (m <sup>3</sup> /h)	185					
Electric power input (W)	22					
Reference flow rate (m <sup>3</sup> /s)	0.036					
Specific power input (SPI) (W/(m <sup>3</sup> /h))	0.076					
Control typology	Clock control					
Maximum external leakage rates (%)	2.7					
Declared typology	RVU UVU					
Sound power level (dB(A))	55					
The annual electricity consumption (AEC) (kWh/a)	Cold	Average		Warm		
	89	89		89		
The annual heating saved (AHS) (kWh/a)	Cold	Average		Warm		
	3667	1874		848		