



Auto 100 S

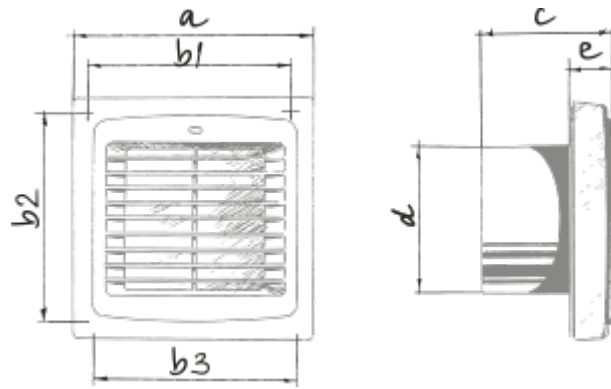
Extract fans

- Maximum airflow: 98
- Sound pressure level LpA at 3 m: 34
- Motor type: AC
- Pull cord

	Unit of measurement	Auto 100 S
Connected air duct size	mm	100
Speed	-	1
Minimum supply voltage	V	220
Maximum supply voltage	V	240
Power supply frequency	Hz	50
Unit current	A	0.085
Maximum airflow	m ³ /h	98
Sound pressure level LpA at 3 m	dB(A)	34
Ingress protection rating	-	IP24

Dimensions

a	b1	b2	b3	c	Ø d	e
166	150	150	150	90	100	30



Ecodesign



Trademark	Blauberg					
Model	Auto 100 S					
Specific energy consumption (SEC) (kWh/(m ² /a))	Cold		Average		Warm	
	0	B	0	E	0	F
Type of ventilation unit	Unidirectional					
Type of drive installed	Multi-speed					
Type of heat recovery system	None					
Maximum flow rate (m ³ /h)	0					
Electric power input (W)	0					
Reference flow rate (m ³ /s)	0					
Specific power input (SPI) (W/(m ³ /h))	0					
Control typology	Manual control					
Maximum external leakage rates (%)	0					
Sound power level (dB(A))	0					
Declared typology	RVU UVU					
The annual electricity consumption (AEC) (kWh/a)	Cold		Average		Warm	
	0		0		0	
The annual heating saved (AHS) (kWh/a)	Cold		Average		Warm	
	0		0		0	