



Aero Vintage 100 SH

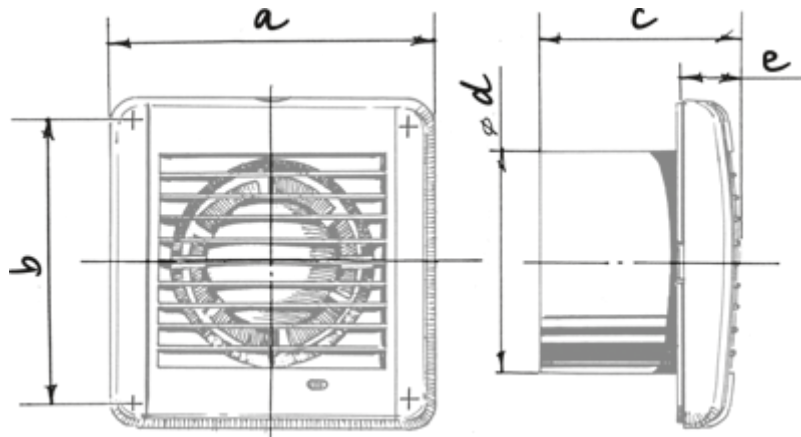
Low-noise axial fan for exhaust ventilation

- Maximum airflow: 102
- Sound pressure level LpA at 3 m: 38
- Motor type: AC
- Casing material: Plastic
- Backdraft protection: Backdraft damper
- Pull cord
- Humidity sensor
- Timer: Turn off timer

	Unit of measurement	Aero Vintage 100 SH
Connected air duct size	mm	100
Speed	-	1
Minimum supply voltage	V	220
Maximum supply voltage	V	240
Power supply frequency	Hz	50
Rated power	W	14
Unit current	A	0.085
Maximum airflow	m ³ /h	102
rotation speed at 50hz	-	
Sound pressure level LpA at 3 m	dB(A)	38
Weight	kg	0.56
Ambient air temperature min	°C	1
Ambient air temperature max	°C	45
Ingress protection rating	-	IP34

Dimensions

a	b	c	Ø d	e
144	122	92.5	100	29.5



Ecodesign



Trademark	Blauberg					
Model	Aero Vintage 100 SH					
Specific energy consumption (SEC) (kWh/(m ² /a))	Cold		Average		Warm	
	0	B	0	E	0	F
Type of ventilation unit	Unidirectional					
Type of drive installed	Multi-speed					
Type of heat recovery system	None					
Maximum flow rate (m ³ /h)	0					
Electric power input (W)	0					
Reference flow rate (m ³ /s)	0					
Specific power input (SPI) (W/(m ³ /h))	0					
Control typology	Manual control					
Maximum external leakage rates (%)	0					
Declared typology	RVU UVU					
Sound power level (dB(A))	0					
The annual electricity consumption (AEC) (kWh/a)	Cold	Average		Warm		
	0	0		0		
The annual heating saved (AHS) (kWh/a)	Cold	Average		Warm		
	0	0		0		