



# Aero Still Chrome 150 IR

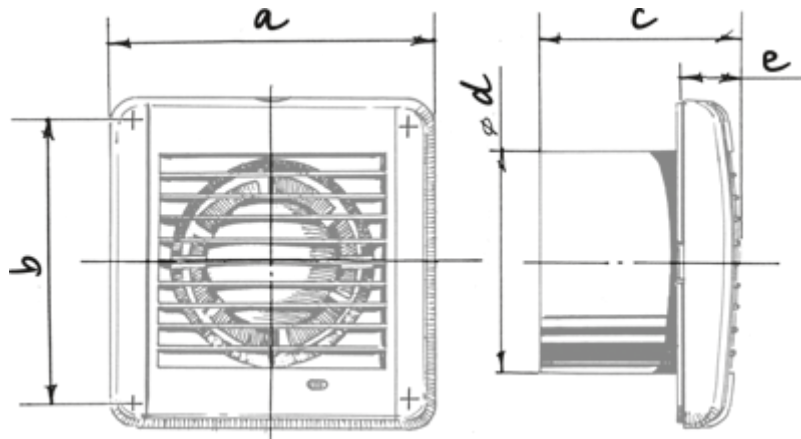
Extract fan for low-noise applications

- Maximum airflow: 254
- Sound pressure level LpA at 3 m: 33
- Motor type: AC
- Casing material: Plastic
- Backdraft protection: Backdraft damper
- Motion sensor
- Timer: Turn off timer

	Unit of measurement	Aero Still Chrome 150 IR
Connected air duct size	mm	150
Speed	-	1
Minimum supply voltage	V	220
Maximum supply voltage	V	240
Power supply frequency	Hz	50
Rated power	W	19
Unit current	A	0.14
Maximum airflow	m <sup>3</sup> /h	254
Sound pressure level LpA at 3 m	dB(A)	33
Ambient air temperature min	°C	1
Ambient air temperature max	°C	40
Ingress protection rating	-	IP34

## Dimensions

a	b	c	Ø d	e
198	170	119	150	30



## Accessories

### Other accessories

Name	Photo	Description
<a href="#">CDT E1.8</a>		Thyristor speed controller