



Aero Still Chrome 100 IR

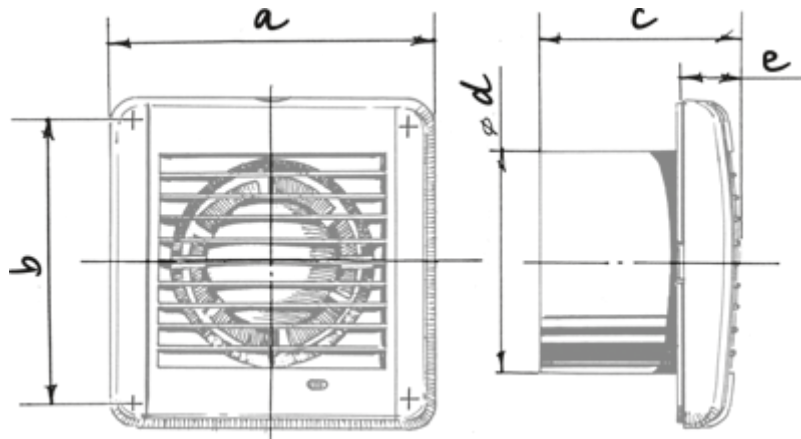
Extract fan for low-noise applications

- Maximum airflow: 84
- Sound pressure level LpA at 3 m: 25
- Motor type: AC
- Casing material: Plastic
- Backdraft protection: Backdraft damper
- Motion sensor
- Timer: Turn off timer

	Unit of measurement	Aero Still Chrome 100 IR
Connected air duct size	mm	100
Speed	-	1
Minimum supply voltage	V	220
Maximum supply voltage	V	240
Power supply frequency	Hz	50
Rated power	W	5.5
Unit current	A	0.035
Maximum airflow	m ³ /h	84
Sound pressure level LpA at 3 m	dB(A)	25
Ambient air temperature min	°C	1
Ambient air temperature max	°C	40
Ingress protection rating	-	IP34

Dimensions

a	b	c	∅ d	e
144	122	92.5	100	29.5



Accessories

Thyristor speed controllers

Name	Photo	Description
CDT E1.8		Thyristor speed controller