

# ULTRA EC

## CENTRIFUGAL FANS

Centrifugal exhaust low-noise and low-energy fans with EC-motors for ceiling mounting



**Air flow:**  
up to 530 m<sup>3</sup>/h  
147 l/s



**Power:**  
from 55 W

**SFP:**  
from 0.37 W/l/s



**Noise level:**  
up to 38 dBA



### Features



- Intermittent or continuous ventilation of bathrooms, showers, kitchens and other utility spaces.
- For high-resistant ventilation systems.
- Built-in tri-color low-energy LED light (**Ultra EC Tri-Color** model).
- Low noise level.
- The centrifugal impeller has forward-curved blades for high pressure and low noise.
- Easiest installation and further maintenance possible.
- The fans also feature a gravity backdraft damper.
- Ingress protection rating IPX4.
- Compatible with Ø 150 mm air ducts.
- Removable decorative panels available in matte black and white colors, round and square shapes.



DP Ultra 250 Round



DP Ultra 250 Round Black



DP Ultra 250 Square



DP Ultra 250 Square Black

### Motor

- The maintenance-free motor bearings are sufficiently greased for all motor service life and engineered for over 40 000 operating hours of trouble-free operation.
- Speed control via potentiometer.

### Design

- The motor impeller is made from high-quality and durable ABS-plastic.
- **Ultra EC Tri-Color Light** fans are equipped with a tri-color energy-efficient light for comfortable lighting in warm, cold or neutral colors.



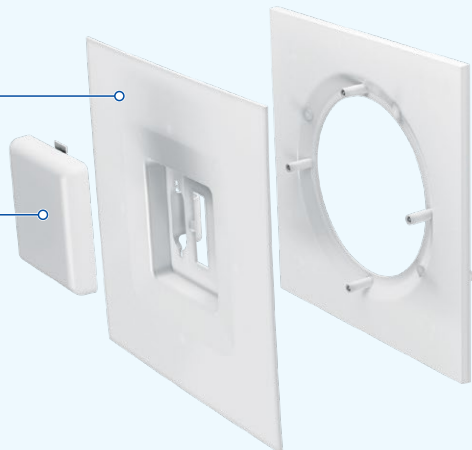
DP Ultra 250 Round Tri-Color Light



DP Ultra 250 Square Tri-Color Light

Decorative panel

LED light  
(Ultra Tri-Color Light)



Casing

Extract spigot with a back valve

Centrifugal impeller

# ULTRA EC

## CENTRIFUGAL FANS

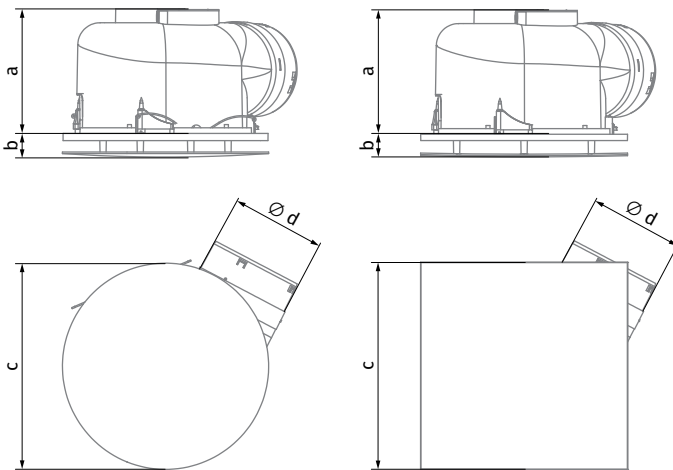
### Options



| Model                | Ultra EC 400 T W |
|----------------------|------------------|
| Turn-off delay timer | •                |
| Power supply cord    | •                |

- **Turn-off delay timer**
  - Fix delay 12 min.
- **Power supply cord**
  - Power supply cord with a plug.

### Overall dimensions



Ultra EC 400 Round

Ultra EC 400 Square

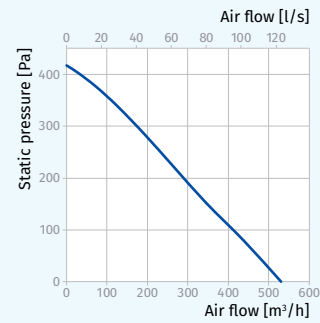
| Dimensions [mm]     | a   | b  | c   | Ø d |
|---------------------|-----|----|-----|-----|
| Ultra EC 400 Round  | 198 | 38 | 330 | 148 |
| Ultra EC 400 Square | 198 | 38 | 330 | 148 |

| Designation key |                       |                     |        |
|-----------------|-----------------------|---------------------|--------|
| Ultra EC        | 400                   | Tri-Color Light     | T      |
| Series          | Rated air flow [m³/h] | LED light available | Option |

### Technical data

| Model                       | Ultra EC 400 |
|-----------------------------|--------------|
| Voltage [V/Hz]              | 220-240/50   |
| Power [W]                   | 55           |
| Current [A]                 | 0,483        |
| RPM [min <sup>-1</sup> ]    | 1085         |
| Air flow [m³/h (l/s)]       | 530 (147)    |
| SFP [W/l/s]                 | 0,37         |
| Sound pressure level [dBA]* | 38           |

\* Sound pressure level measured in free space at a distance of 3 meters from the fan.



### LED Light Characteristics

|                                     | Power [W] | Luminous flux [lm] | Color temperature [K] | Beam angle [°] |
|-------------------------------------|-----------|--------------------|-----------------------|----------------|
| DP Ultra 250 Round Tri-Color Light  | 12        | 1200               | 3000/4000/6500        | 120            |
| DP Ultra 250 Square Tri-Color Light | 12        | 1200               | 3000/4000/6500        | 120            |

### Mounting



| Accessories |                    |                   |                   |        |
|-------------|--------------------|-------------------|-------------------|--------|
| Duct system | Flexible air ducts | Grilles and hoods | Speed controllers | Clamps |
|             |                    |                   |                   |        |
| BlauPlast   | BlauFlex           | Decor, GM         | CDT E1.8          | K, KZ  |