



DECENTRALIZED HEAT RECOVERY UNIT

Freshpoint Eco 160

Freshpoint Eco 160-E

Freshpoint Eco 160 L055

Freshpoint Eco 160-E L055

Freshpoint Eco 160 L07

Freshpoint Eco 160-E L07

Freshpoint Eco 160 L1

Freshpoint Eco 160-E L1

EN

USER'S MANUAL

CONTENTS

Safety requirements.....	2
Purpose.....	4
Delivery set.....	4
Designation key.....	4
Technical data.....	5
Design and operating principle.....	6
Mounting and set-up.....	8
Connection to power mains.....	14
Unit control.....	15
Technical maintenance.....	16
Storage and transportation regulations.....	19
Manufacturer's warranty.....	20
Certificate of acceptance.....	23
Seller information.....	23
Installation certificate.....	23
Warranty card.....	23

This user's manual is a main operating document intended for technical, maintenance, and operating staff.

The manual contains information about purpose, technical details, operating principle, design, and installation of the Freshpoint Eco 160(-E) (L055/L07/L1) unit and all its modifications.

Technical and maintenance staff must have theoretical and practical training in the field of ventilation systems and should be able to work in accordance with workplace safety rules as well as construction norms and standards applicable in the territory of the country.

SAFETY REQUIREMENTS

This unit is not intended for use by persons (including children) with reduced physical, sensory or mental capabilities, or lack of experience and knowledge, unless they have been given supervision or instruction concerning use of the unit by a person responsible for their safety. Children should be supervised to ensure that they do not play with the unit.

This appliance can be used by children aged from 8 years and above and persons with reduced physical, sensory or mental capabilities or lack of experience and knowledge if they have been given supervision or instruction concerning use of the appliance in a safe way and understand the hazards involved.

Cleaning and user maintenance shall not be done by children without supervision.

Children shall not play with the appliance.

If the supply cord is damaged, it must be replaced by the manufacturer, its service agent, or similarly qualified persons in order to avoid a safety hazard.

Precautions must be taken to avoid the back-flow of gases into the room from the open flue of gas or other fuel-burning appliances.

The appliance may adversely affect the safe operation of appliances burning gas or other fuels (including those in other rooms) due to back flow of combustion gases. These gases can potentially result in carbon monoxide poisoning. After installation of the unit the operation of flued gas appliances should be tested by a competent person to ensure that back flow of combustion gases does not occur.

Ensure that the unit is switched off from the supply mains before removing the guard.

Do not attach the product to the support using glue or adhesives. Use only the fastening method specified in the "User's manual".

All operations described in this manual must be performed by qualified personnel only, properly trained and qualified to install, make electrical connections and maintain ventilation units.

Do not attempt to install the product, connect it to the mains, or perform maintenance yourself. This is unsafe and impossible without special knowledge.

Disconnect the power supply prior to any operations with the unit.

All user's manual requirements as well as the provisions of all the applicable local and national construction, electrical, and technical norms and standards must be observed when installing and operating the unit.

Disconnect the unit from the power supply prior to any connection, servicing, maintenance, and repair operations.

Connection of the unit to power mains is allowed by a qualified electrician with a work permit for the electric units up to 1000 V after careful reading of the present user's manual.

Check the unit for any visible damage of the impeller, the casing, and the grille before starting installation. The casing internals must be free of any foreign objects that can damage the impeller blades.

While mounting the unit, avoid compression of the casing! Deformation of the casing may result in motor jam and excessive noise.

Misuse of the unit and any unauthorised modifications are not allowed.

Transported air must not contain any dust or other solid impurities, sticky substances, or fibrous materials.

Do not use the unit in a hazardous or explosive environment containing spirits, gasoline, insecticides, etc.

Do not close or block the intake or extract vents in order to ensure the efficient air flow.

Do not sit on the unit and do not put objects on it.

The information in this user's manual was correct at the time of the document's preparation.

The Company reserves the right to modify the technical characteristics, design, or configuration of its products at any time in order to incorporate the latest technological developments.

Never touch the unit with wet or damp hands.

Never touch the unit when barefoot.

Do not install or use the product until all construction and finishing work has been completed in the room where it is to be installed.

BEFORE INSTALLING ADDITIONAL EXTERNAL DEVICES, READ THE RELEVANT USER MANUALS.



THE PRODUCT MUST BE DISPOSED SEPARATELY AT THE END OF ITS SERVICE LIFE.

DO NOT DISPOSE THE UNIT AS UNSORTED DOMESTIC WASTE.

PURPOSE

The ventilator is designed to ensure continuous mechanical air exchange in flats, cottages, hotels, cafés and other domestic and public premises. The ventilator is equipped with a heat exchanger that enables supply of fresh filtered air heated by recovering heat from extract air.

The ventilator is designed for installation on outdoor walls.

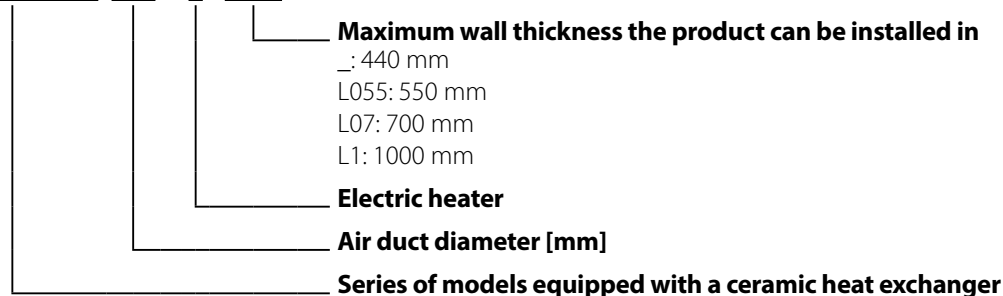
The ventilator is rated for continuous operation.

DELIVERY SET

Name	Number
The product	1
Remote control	1
Mounting kit	1
Mounting template	1
User's manual	1
Packing box	1

DESIGNATION KEY

Freshpoint Eco 160 - E L055



TECHNICAL DATA

The temperature in the room where the indoor unit is installed must be in the range from +5 °C to +40 °C with relative humidity up to 70 % (no condensation build-up). If the conditions of use of the unit are outside the specified limits, turn off the unit. Provide fresh air supply through windows.

The temperature of the transported air should be in the range from -30 °C to +40 °C.

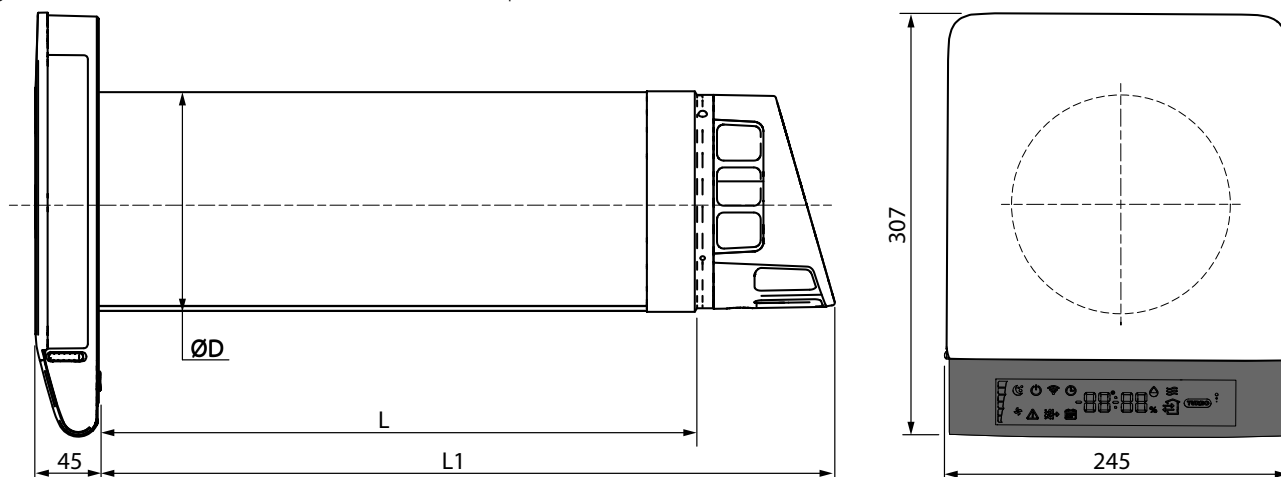
The power consumption of the product depends on the use of the built-in heaters. The power consumption ranges without the use of the heaters (mode 1) and with the use of the heaters (mode 2) are indicated on the label.

II unit is rated as a class I electric appliance.

The unit design is constantly being improved, thus some models may be slightly different from those described in this manual.

Parameter	Freshpoint Eco 160			Freshpoint Eco 160-E		
	1	2	3	1	2	3
Speed	1	2	3	1	2	3
Power mains parameters	220-240 V 50/60Hz					
Power consumption without heater [W]	3	5	8	3	5	8
Power consumption of built-in heater [W]	-			160		
Unit current without heater [A]	0,02	0,03	0,04	0,02	0,03	0,04
Total unit current [A]	-			0,93	0,94	0,95
Air flow [m³/h]	10	30	48	10	30	48
Sound pressure level at 1 m distance [dBA]	24	36	50	24	36	50
Sound pressure level at 3 m distance [dBA]	14	27	40	14	27	40
Classification of air flow sensitivity to pressure difference variations in accordance with EN 13141-8	S3			S3		
Indoor/outdoor airtightness classification of the complete unit in accordance with EN 13141-8	D1			D1		
Heat recovery efficiency [%]	≤92			≤90		
Transported air temperature [°C]	-30 ... + 50					
Filter	G3					
Ingress protection rating against access to hazardous parts and water ingress is	IP24					
SEC-class	A					

The figure below shows the overall dimensions of the product (mm)



Model	$\varnothing D$	L	L1
Freshpoint Eco 160 (-E)	162	440	540
Freshpoint Eco 160 (-E) L055	162	550	650
Freshpoint Eco 160 (-E) L07	162	700	800
Freshpoint Eco 160 (-E) L1	162	1000	1100

DESIGN AND OPERATING PRINCIPLE

The product consists of the operating module (item 1) with the outdoor housing and protective hood assembly (item 2).

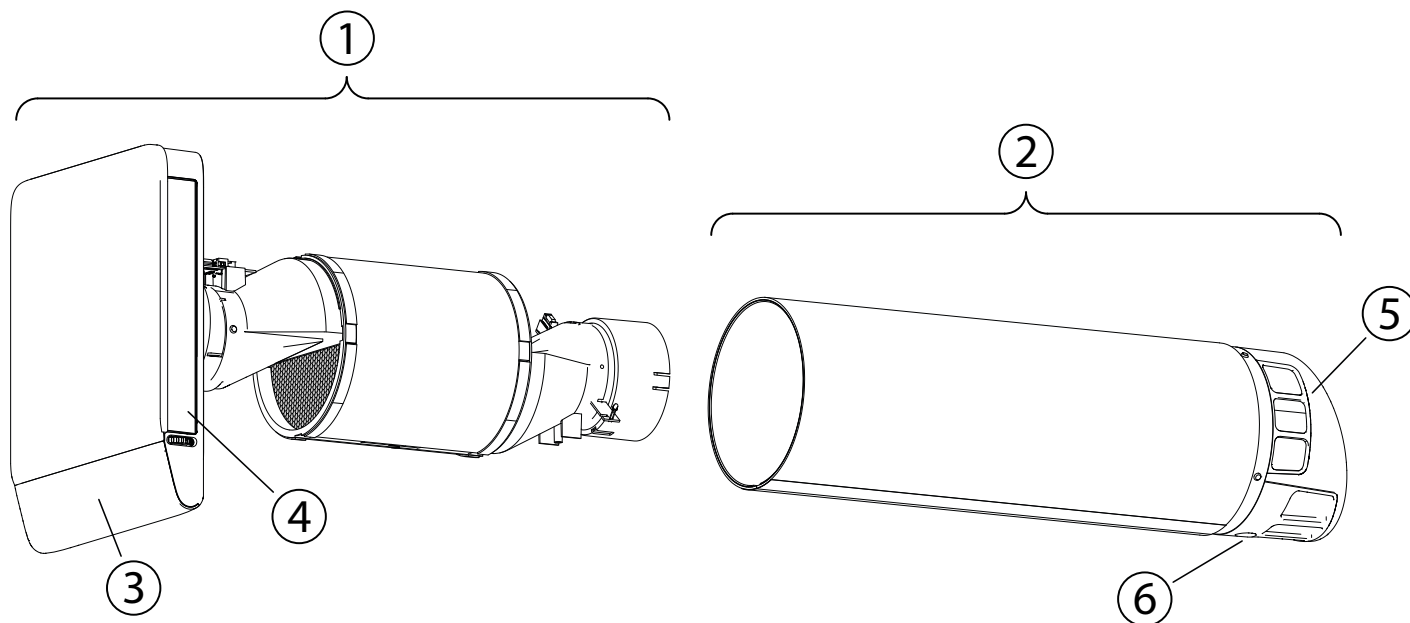
The operating module contains fans, heat exchangers, heaters and the control system.

The operating module of the product contains two air ducts, each has a fan and a heat exchanger. Air can traverse each air duct into the room or to the outside. The air duct outlets from the indoor side are located on opposite sides of the product's room assembly.

The air duct outlets are equipped with rotating air dampers (item 4). Coarse air filters are located behind the air dampers.

There is a display on the front side under the transparent cover (item 3), which shows the current fan operation parameters.

The protective ventilation hood (item 5) on the outdoor housing is designed to distribute the extract and supply air flow and prevent water and foreign objects from entering the product. The lower part of the ventilation hood has a condensate drainage opening (item 6).



The unit can ventilate the room in the following ways:

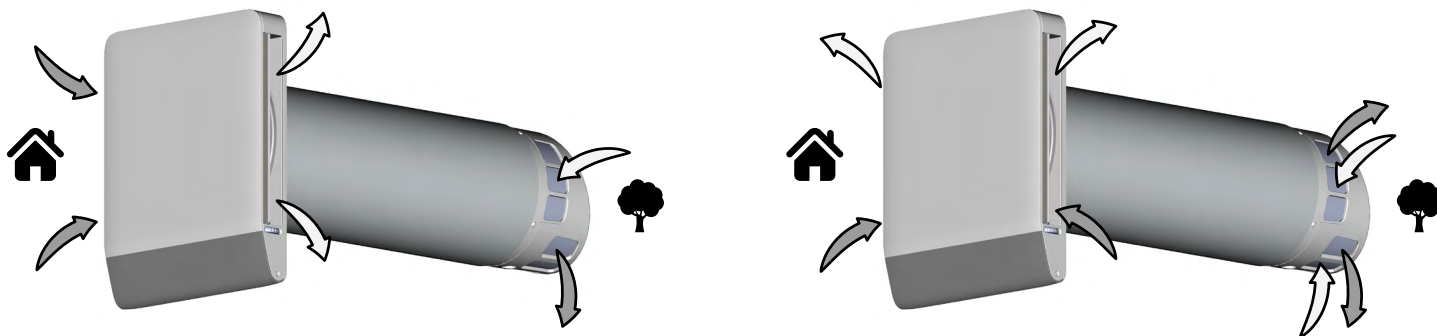
Extraction only, when both air ducts extract air from indoors.

Supply only, when both air ducts supply air into the room.

Ventilation, when air traverses the air ducts continuously in opposite directions..

Ventilation with heat recovery, when air traverses the air ducts in opposite directions, alternating with each cycle in each air duct. In the first part of the cycle, humid and contaminated indoor air is blown through the ceramic heat exchanger, which is gradually heated and humidified. In the second part of the cycle, fresh and cold intake air is blown through through the ceramic heat exchanger, heating up to the room temperature by means of the accumulated heat in the heat exchanger.

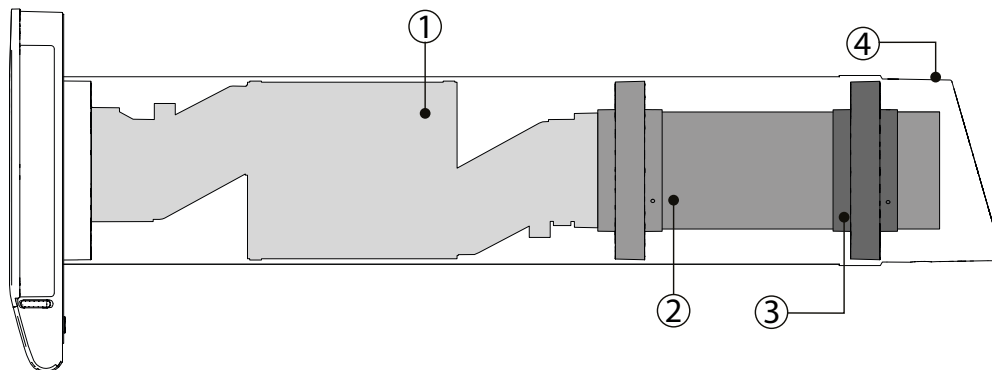
While one air duct operates in supply mode, the other one is in extraction mode. This ensures consistent ventilation of the room with a single product.



Models labelled as L055; L07; L1 feature an air duct extension node.

When using these models, it is possible to manually shorten the product before mounting so that the value L mentioned on the figure in the "Technical data" section equals the wall thickness.

The figure below illustrates the location of the operation module and air duct extension node parts inside the housing.



1 – operating module; 2 – assembled internal air duct extender and the first stabilizing coupling;
3 – second stabilizing coupling; 4 – outdoor housing.

MOUNTING AND SET-UP



**READ THE USER'S MANUAL BEFORE INSTALLING THE UNIT.
BEFORE INSTALLING ADDITIONAL EXTERNAL DEVICES, READ THE APPROPRIATE USER
MANUALS.**



**WHEN THE PRODUCT IS INSTALLED IN BUILDINGS, WHERE WIND OVERLOAD IS
POSSIBLE, IN PREMISES WITH PASSIVE VENTILATION, FIREPLACES OR PRE-INSTALLED
VENTILATION UNITS (EXTRACT FANS, KITCHEN HOOD ETC.) SUPPLY AND EXTRACT AIR
IMBALANCE IS POSSIBLE
IT MAY CAUSE DRAFTS AND DESTABILIZE TEMPERATURE IN WINTER SEASON
CONTACT QUALIFIED SPECIALISTS TO AVOID DISBALANCE**



**DO NOT BLOCK THE AIR DUCT OF THE INSTALLED VENTILATOR WITH DUST
ACCUMULATING MATERIALS, SUCH AS CURTAINS, CLOTH SHUTTERS, ETC.
AS IT PREVENTS AIR CIRCULATION IN THE ROOM.**

Determining the optimal location for the product

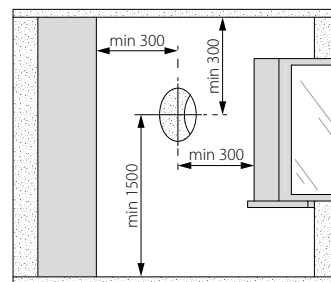
The product is mounted in an external wall so that its indoor unit is located in the residential area, and a part of the external casing with the supply and exhaust ducts and condensate drain is located outside.

For proper operation of the product, it is necessary that the supply air flow is evenly mixed with the indoor air and does not enter the exhaust air duct.

To ensure free convective air circulation in the room, the space in front of the indoor unit must be free of obstacles, such as furniture, curtains and other interior elements.

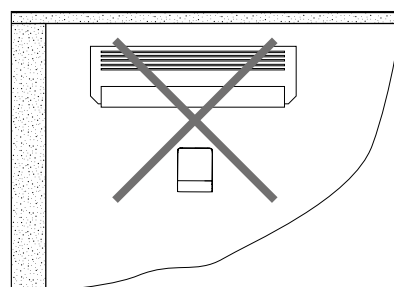
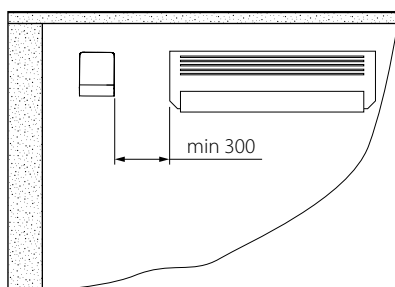
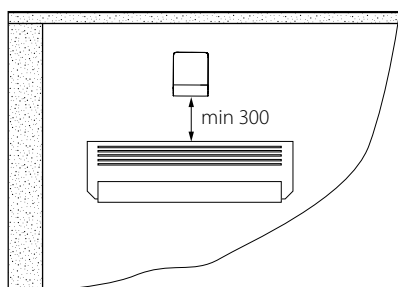
If the space around the indoor unit is separated from the rest of the room by an obstacle, the air supplied through the supply air duct will be immediately exhausted through the exhaust air duct. In the rest of the room, the ventilation effect will be drastically reduced. Also, the effect of heat recovery will be nearly non-existent.

Furthermore, in order to create a zone of free natural air mixing, it is important to maintain the minimum distances from the product to the ceiling, room corner, floor and window as shown in the figure.



Locate the product as far as possible from heat sources (heating devices, electric stoves, etc.) and devices that use air for combustion (fireplaces, gas stoves, etc.).

Combined operation of the product and air conditioner in the same room can be very effective if the devices are positioned correctly. The cool air from the air conditioner flows downwards, so place the product at the same height as the air conditioner.



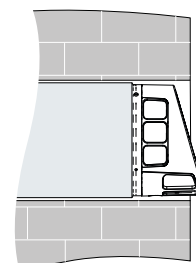
When choosing the location of the product in resting and sleeping areas, keep in mind that the product will act as an additional source of noise. Keep in mind that during the cold season, the supply air temperature from the product will be lower than the ambient temperature. Consequently, the supply air flow will go down and may cause discomfort to people and be felt as a draft. Place the product away from beds, armchairs, etc.

Do not install the product in wet areas (bathrooms, toilets, greenhouses, etc.).
Install only exhaust ventilation in these areas.

The pressure difference between the room and the outside space when the exhaust ventilation is operating can disrupt the product. This can lead to unwanted drafts and, in the cold season, to a drop in the room temperature and product freezing.

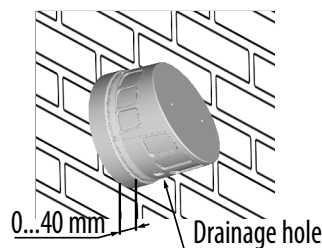
Possible deviations in the operation of the device caused by installation errors

Visual signs	Possible reason
Condensation on the wall in the room; Incorrect operation of the device control system; Ice formation in the unit casing during the cold season; Short circuit in the power mains.	The product casing is installed horizontally or inclined towards the room. The product's external housing is mounted so that the condensate drain hole is not facing downwards.
Low or no air flow; Overheating and motor failure; No heat recovery effect during ventilation.	The product is mounted in a wall that is thicker than the allowable thickness for this model.
Air blowing between the unit casing and the wall; Wall freezing.	The seal between the product's outer casing and the wall is not complete
Product control system malfunction; Short circuit in the power mains.	Interference with the product's electrical circuit by unqualified persons.



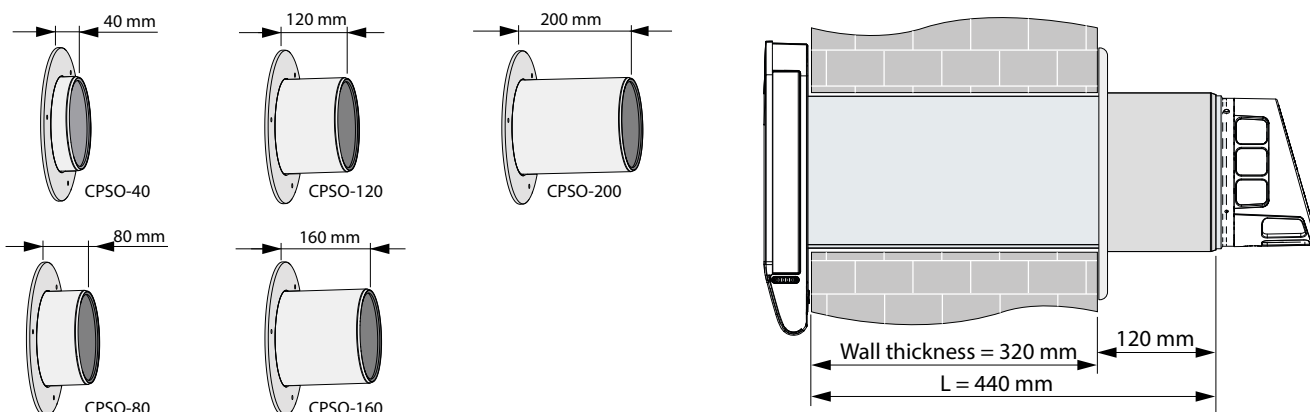
Matching the length of the product to the thickness of the external wall.

For the product to function properly, the ventilation hood must be positioned as shown in the figure. The distance from the wall to the edge of the ventilation cap should not exceed 40 mm, and the condensate drain hole should be directed strictly downwards.



In cases where the installation site is accessible from the outer side of the wall, a compensation pad or a metal seal can be used, which must be purchased separately.

The figure below shows a set of compensation pads and an example of their use for mounting the Freshpoint Eco 160(-E) product in a wall with a thickness of less than 400 mm.



For the most optimal matching of the product length and wall thickness, when access to the outer side of the wall is not possible, take advantage of the trimming option for the outer housing and extension unit of the Freshpoint Eco 160(-E) L055/L07/L1 models. For wall mounting, use the mounting holes on the compensator pad.

The table below shows the allowable wall thicknesses for these methods of matching.

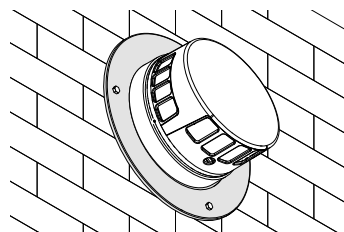
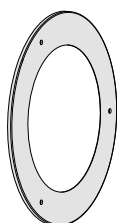
Model	Possible wall thicknesses for trimming	Possible wall thicknesses when using compensating pads*				
		CPSO-40	CPSO-80	CPSO-120	CPSO-160	CPSO-200
Freshpoint Eco 160(-E)**	400...440	360...400	320...360	280...320	240...280	200...240
Freshpoint Eco 160(-E) L055	400...550	470...510	430...470	390...430	350...390	310...350
Freshpoint Eco 160(-E) L07	400...700	620...660	580...620	540...580	500...540	460...500
Freshpoint Eco 160(-E) L1	400...1000	920...960	880...920	840...880	800...840	760...800

* To be purchased separately and installed from the outdoor side.

** No trimming available. Trimming is not possible.

The figure below shows the metal seal (purchased separately) and an example of its use. For wall mounting, use the mounting holes in the seal.

MP(S)-40



Sequence of operations to trim Freshpoint Eco 160(-E) L055/L07/L1 products

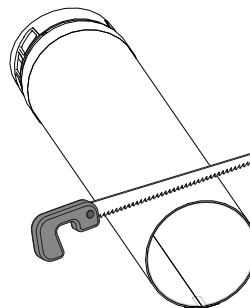
If the wall thickness is equal to the L dimension of your product, you can proceed to step 1 of the product installation instructions. If the dimension L of your product is greater than the wall thickness, you can trim it before installation.

To do so, follow these steps:

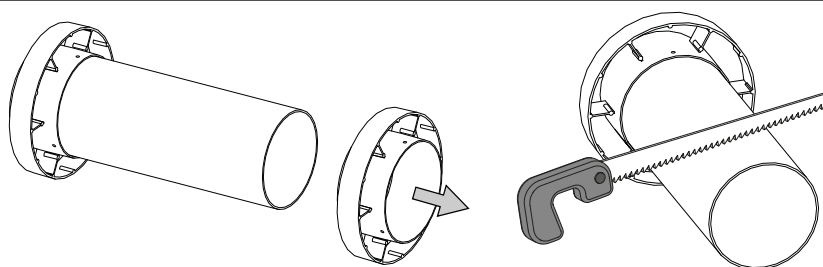
Determine the exact thickness of the wall where the product is to be installed.

The length by which the product needs to be trimmed is equal to the difference between the product's L dimension and the wall thickness.

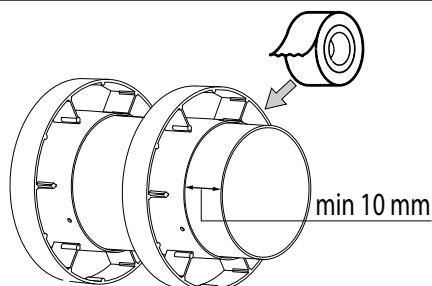
Trim the external housing.



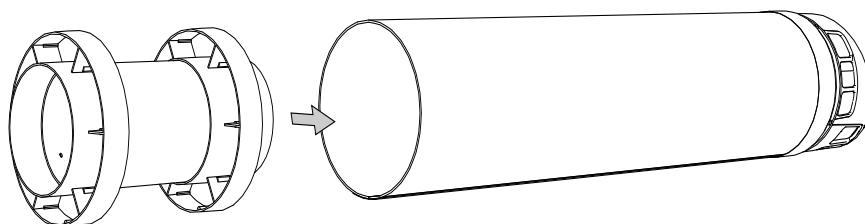
Trim the spigot of the extension node to the same length as the external housing.



Put the second centering coupling on the shortened spigot and secure it with adhesive aluminium tape at least 10 mm away from the cut on the spigot.

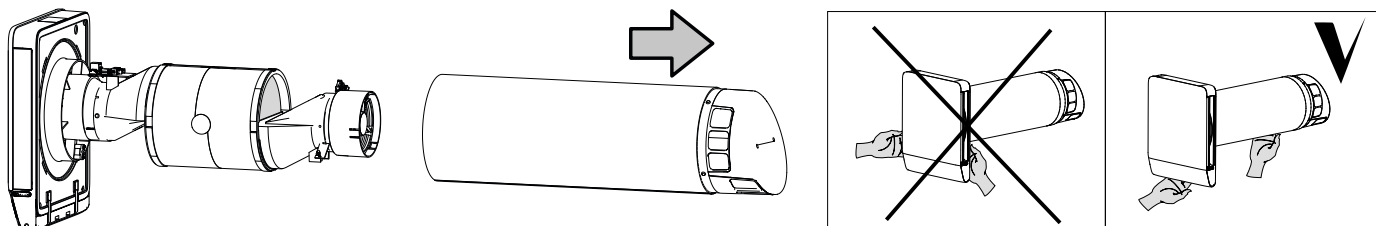


Insert the shortened extension node inside the outdoor housing to connect with the air flow distributing node.



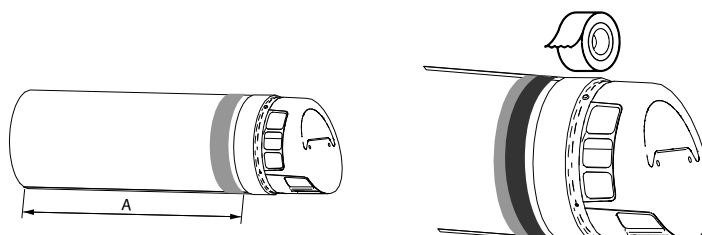
Unit mounting

1. Prepare a round core hole with a diameter of 172 mm in the outer wall with a downward slope towards the outside.
2. Detach the external housing from the operation module.

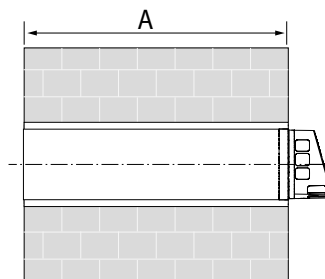


Warning! Do not connect it to the power mains when detached!

3. Glue the sealant to the external housing (included in the delivery kit) on the air duct at a distance A (wall thickness) from the indoor end of the air duct. For anti-UV protection, it is recommended to wrap aluminum tape around the sealant.

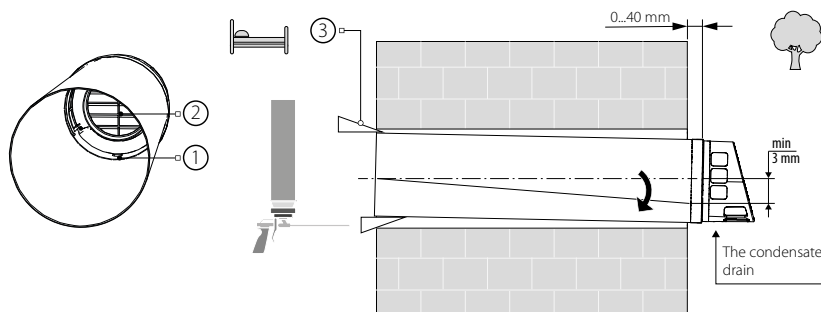


Insert the air duct into the hole so that its cross-section fits the internal wall surface.



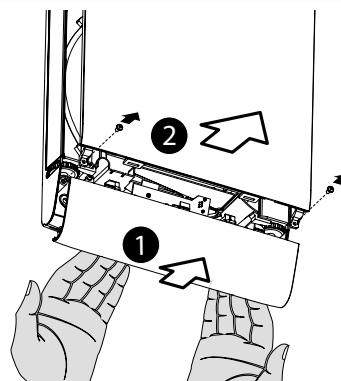
Do not block the air intake grilles or the condensate drain outlet. If necessary, use the supplied mounting wedges (item 3) and sealing foam to ensure that the air duct is fixed in an airtight and immovable manner in the opening.

Do not turn the outer ventilation hood upside down. The drainage hole (item 1) must point straight down. When aligning the housing from the inside, follow the vertical and horizontal grille bars (item 2).

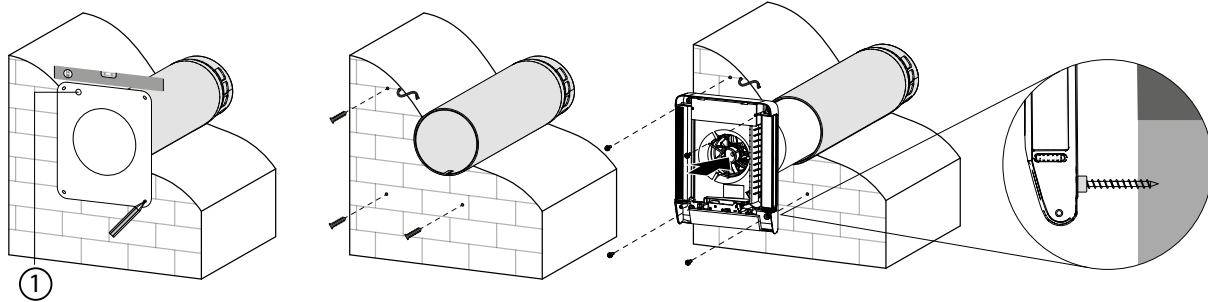


Warning! Do not deform the air duct with mounting wedges and foam.

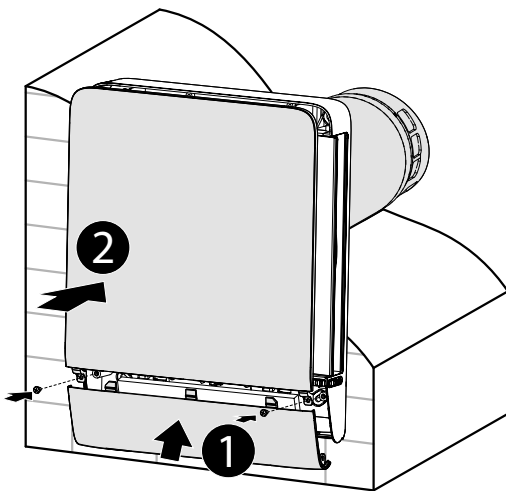
4. To remove the bottom panel (item. 1), pull its lowermost edge to yourself. Remove the top decorative panel (item 2) from the operation module by unscrewing the screws.



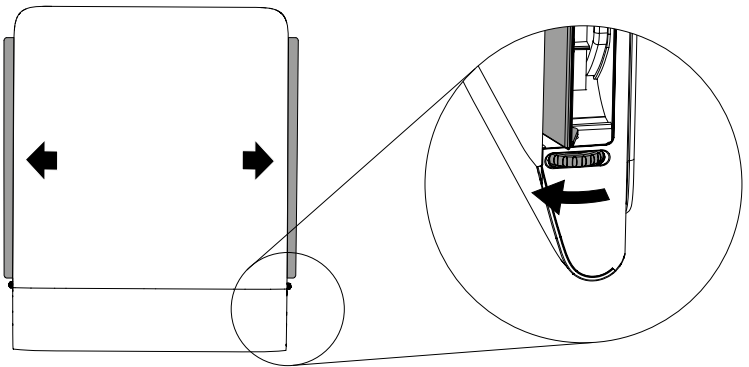
5. Put the mounting template on the wall. Align it using the level. Afterward, mark the openings to insert dowels from the mounting kit and drill the holes of required depth. When connecting it to fixed wiring, mark the cable outlet site (item 1). Pull the power cord through to the marked site.
6. Install the operation module into the duct. Fix the back part of the indoor unit using screws.



7. Install decorative panels after connecting.



8. Open air inlets before turning on the system. If an air inlet is not open, and the unit is operating, it may cause damage and malfunction of the unit.

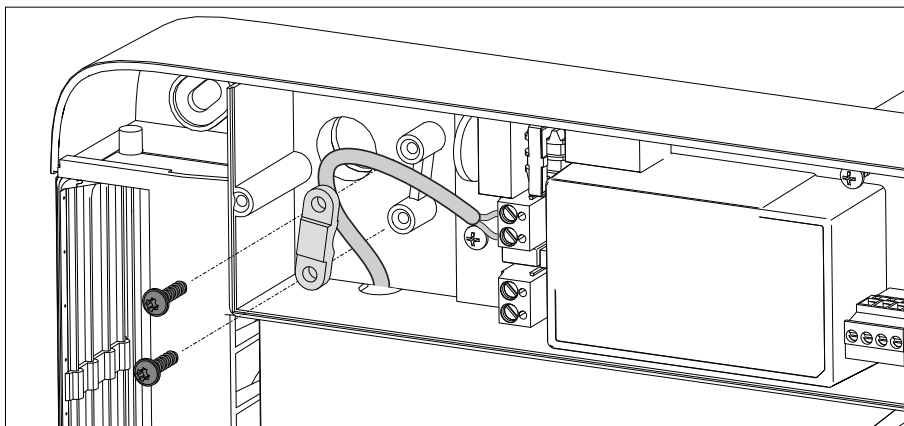


CONNECTION TO POWER MAINS

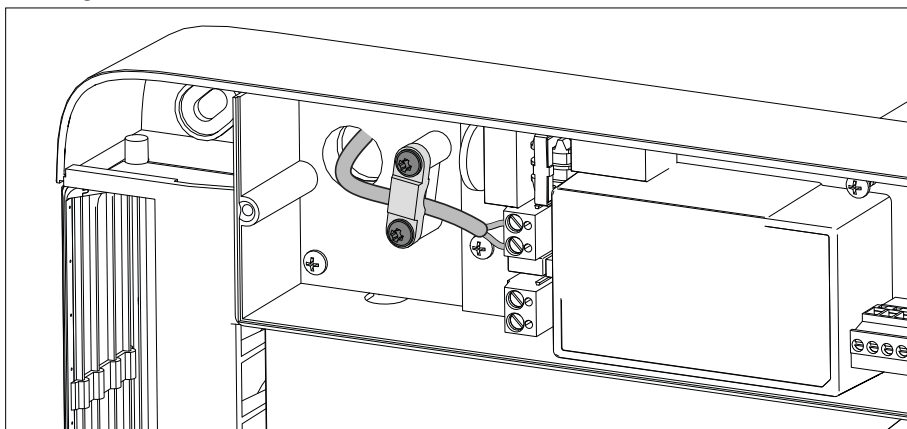
The unit is designed for connection to power mains with the parameters specified in the "Technical data" section. The unit is connected using a power cord with a mains plug pre-installed by the manufacturer, or through fixed wiring.

To connect to fixed wiring, do the following:

remove the cable with the plug;



connect the cable to fixed wiring.



ATTENTION! Do not connect the product via any type of speed controller - thyristor, autotransformer, frequency controller, etc.



THE PRODUCT CONSISTS OF ELEMENTS THAT ARE AN INTEGRAL PART OF THE PRODUCT.

THE CORRECT OPERATION OF THE PRODUCT IS ONLY POSSIBLE IN THE CONFIGURATION AND DESIGN SUPPLIED BY THE MANUFACTURER.

IN THE EVENT OF INTERFERENCE WITH THE PRODUCT DESIGN OR CHANGES TO THE WIRING DIAGRAM, THE MANUFACTURER IS NOT RESPONSIBLE FOR THE PRODUCT'S SERVICEABILITY AND DOES NOT ASSUME ANY WARRANTY OBLIGATIONS

UNIT CONTROL

The product can be controlled using the remote control, a mobile app via Wi-Fi, the Google Assistant and Amazon Alexa.

Before turning on the unit, open the rotating dampers on the indoor part of the product.

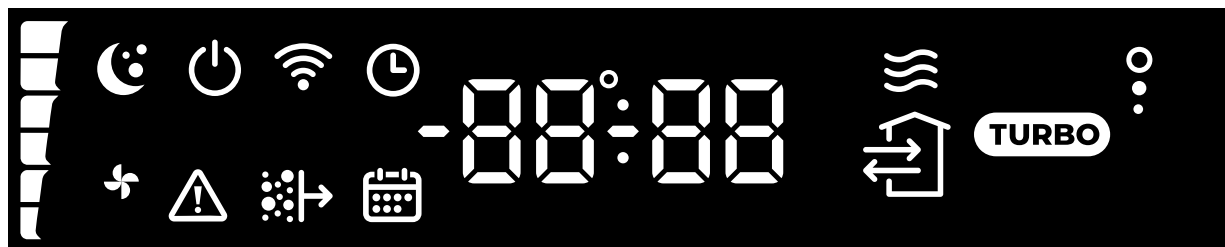
After turning off the unit, the dampers may be left open to use the unit in passive ventilation mode. The dampers may also be closed to avoid drafts.

Description of the system display

The illustration below is an illustration of the screen layout.

Indication on the display may differ depending on the system configuration.

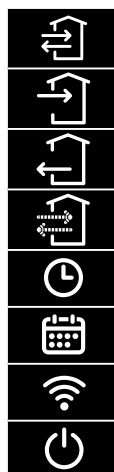
The display is configured using the mobile app.



The digital segment of the display shows information such as time, temperature or all the data one by one. The scale on the left shows the fan speed.



- Error indicator
- Filter replacement indicator
- Night mode indicator
- Heating indicator
- Turbo mode indicator
- Frost protection mode indicator

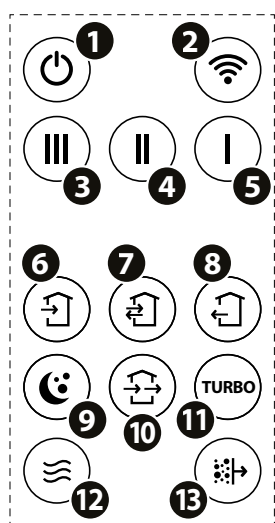


- Heat recovery indicator
- Supply only indicator
- Extraction only indicator
- Ventilation indicator (the arrows are flashing slowly)
- Timer
- Calendar
- Wi-Fi indicator
- Power on indicator

Description of the remote control

The function of the remote control buttons is shown in the figure below.

When the product is turned on using the **ON/OFF** button on the remote control, it will operate in the mode in which it was turned off. The functions of the buttons may vary and depend on the system configuration, for details please refer to this manual for each function or operation mode.



- 1 - Turning ON/OFF*
- 2 - Wi-Fi connection mode between the product and smartphone
- 3-5 - Changing speeds
- 6-8 - Supply only / Recovery only / Extraction only
- 9 - Night timer. Speed I (8 hours)
- 10 - Ventilation
- 11 - Turbo timer. Speed III (4 hours)
- 12 - Reheater ON
- 13 - Resetting the filter replacement timer.
To reset the filter timer, press and hold the button for 3 seconds until you hear a beep.
Reset is also available in the mobile app.

* To reset to factory settings, press and hold the button '1' for 10 seconds until you hear a beep.

Connecting a mobile device to the unit

The application is available for download at App Store, Play Market or via the QR code.

[Blauberg Home – App Store](#)



[Blauberg Home – Play Market](#)



To start controlling the product, first connect to it as a Wi-Fi access point with the name FAN: + 16 characters of the ID number indicated on the control board and on the unit casing.

Wi-Fi access point password: 11111111.

Wi-Fi technical data

Standard	IEEE 802.11b/g/n
Frequency band [GHz]	2.4
Transmission power [mW] (dBm)	100(+20)
Network	DHCP
WLAN security	WPA, WPA2

The app allows configuring the unit to connect via your home Wi-Fi network and via a cloud server. To do it, create an account using the app and add the device to the list of connections, following the prompts in the app.

To restore the Wi-Fi password or connect to the unit in order to change the settings, **Setup Mode** is provided. To activate this mode, press and hold the '2' (Wi-Fi) button on the remote control for 3 seconds until you hear a beep and the Wi-Fi indicator on the front of the product starts to flash slowly.

When controlling the product from a smartphone, some functions may change after an update. In the event of a software update, some descriptions in this manual may no longer be relevant.

Wi-Fi indicator on the front panel:

Flashes rapidly	Connection issues
Flashes slowly	Setup Mode is active
Stays continuously lit	Wi-Fi is connected to your home network
Does not light up	Wi-Fi works in the access point mode

The main modes, functions, settings available in the mobile application are as follows:

On / Off Turning the product on or off.

Changing the speeds: 1, 2, 3

Selecting the appropriate fans speed. It is controlled by pressing the buttons on the remote control or in the mobile app.

Ventilation direction: supply, extraction, ventilation, heat recovery.

Selecting the air flow direction. It is controlled by pressing the buttons on the remote control or in the mobile app.

Weekly schedule

It is activated using a mobile app and has the lowest priority. It is used to set the product to operate according to a schedule. For the mode to work properly, make sure that the date and time are set correctly.

Night mode

The minimum and quietest operating mode of the system, which is designed for night operation.

It is activated by pressing the button on the remote control or in the mobile app.

Turbo mode

It is activated by pressing the button on the remote control or in the mobile app. The operating mode suggests the highest fan speed. The corresponding indicator on the information panel is lit up.

Frost protection of the heat exchanger

The device has an algorithm for frost protection of the heat exchanger in winter.

If there is a danger of heat exchanger frosting, when the indoor supply air temperature drops below +5 °C, both fans start to extract air from the room for a while to warm up the heat exchanger.

The display and the mobile app indicate when the product is operating in the frost protection mode.

Protecting the room from overcooling

When the product is operating in supply or ventilation mode and the supply air temperature drops below +10 °C for 15 minutes, the device will automatically switch to heat recovery mode to protect the room from overcooling.

The sensor has a temperature measurement error of ±2 °C.

Reheating for Freshpoint Eco 160-E models

The product has a built-in electric heater that can be used to increase the supply air temperature.

The heater can be switched on and off using the button on the remote control or the mobile app.

When the heater is on, the corresponding indicator on the display lights up red, and this information is also displayed in the mobile app.

Filter replacement timer

You can set up a filter replacement timer. This function roughly indicates how dirty the filter is so that it can be cleaned or replaced. After the set time has elapsed (90 days by default), the filter replacement indicator appears.

Light sensor for automatic display brightness change

To make the product easier to use in the dark, there are several levels of display brightness. Display indication brightness is adjusted automatically, it can also be changed or turned off via the smartphone application.

Possible faults, their warnings and troubleshooting are specified below.

FAULTS		WARNINGS	
1	<p>Fans fault. The unit stops. The indicator and the app display a fault notification. Resolve the cause of the unit's stop.</p>	1	<p>The air filter needs maintenance. The unit continues operating. Maintenance is required. The notification can be dismissed via the remote control or smartphone app.</p>
		2	<p>Sensor fault. The unit continues operating, but any faulty sensor-related automatic control functions will be disabled.</p>

When simultaneously activating several operation modes that exclude each other, the ventilator selects the mode according to the following priority:

1. Night or Turbo
2. Standby
3. Weekly schedule
4. Normal mode

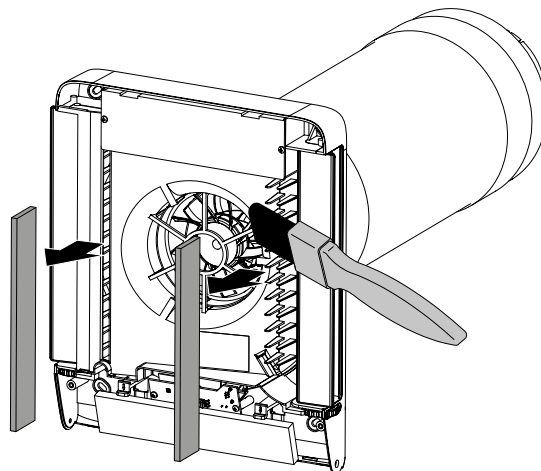
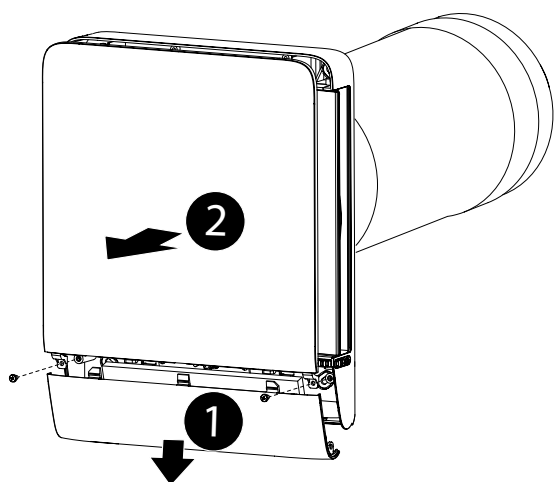
TECHNICAL MAINTENANCE

Maintenance of the unit means regular cleaning of the ventilator surfaces of dust and cleaning and replacement of the filters. To access the filters, remove the decorative panels from the work unit.

Remove the filters.

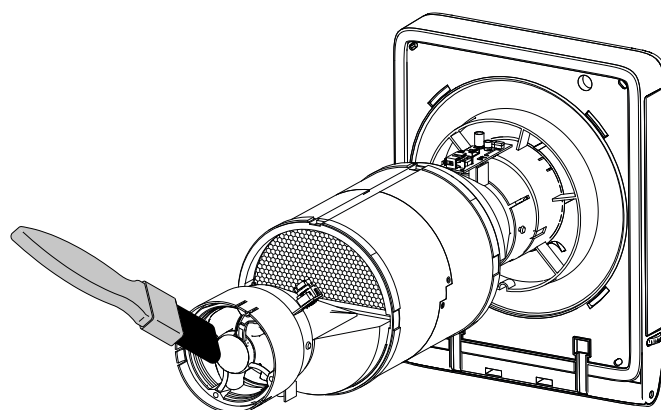
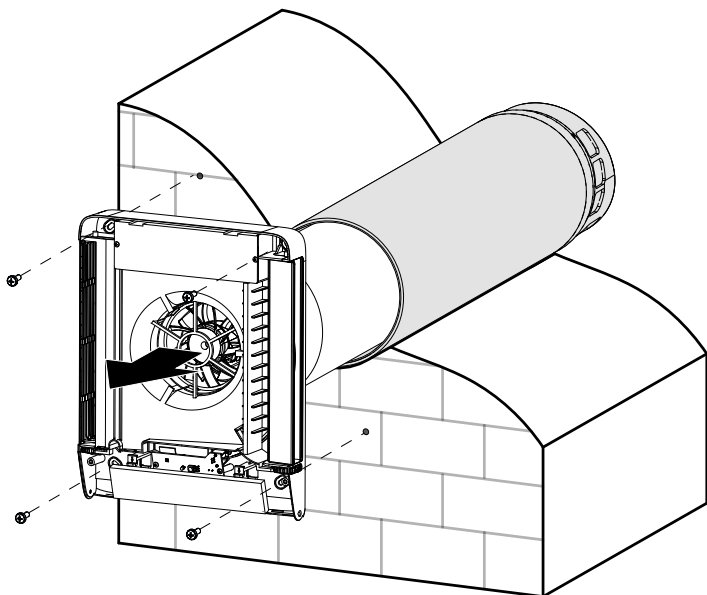
Clean the filter as it gets clogged, but not less than once per three months.

- The filter must be washed and dried, then reinserted into the air intake when dry.
- Cleaning with a vacuum cleaner is permitted.
- The filter rated service life is 3 years.
- To purchase new filters, contact the Seller.

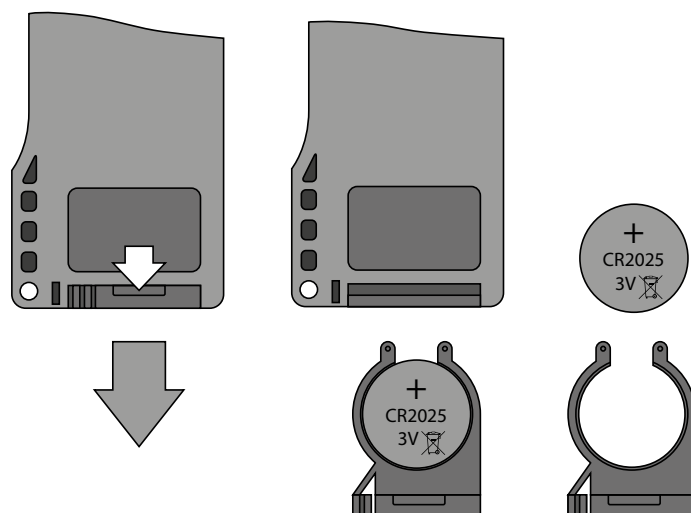


To enable access to the main units, follow the procedure described below:

remove the front panel from the work module. Disconnect the cable and wires. Remove the cover. Unscrew the four screws holding the indoor unit, then remove it from the air duct.



Replacement of the remote control battery (if necessary).
 No response of the unit for pressing the remote control buttons indicates the need to replace the battery.
 The battery type is CR2025.
 Remove the holder with the battery from the lower part of the remote control.
 Replace the battery and install the holder with a new battery back to the remote control.



Possible faults and troubleshooting

Fault	Possible reasons	Troubleshooting
When switching on the unit, the fan does not start.	No power supply.	Make sure the power supply line is connected correctly, otherwise troubleshoot the connection error.
	The motor is jammed, the impeller blades are clogged.	Turn the unit off. Troubleshoot the motor jam and the impeller clogging. Clean the blades. Turn the unit off.
Circuit breaker tripping during the unit start-up.	Overcurrent as a result of short circuit in the electric circuit.	Turn the unit off. Contact the Seller for further information.
Low air flow.	Low set fan speed.	Set higher speed.
	The filters, the fan or the heat exchanger is clogged.	Clean or replace the filter. Clean the fan.
Increased noise, vibration.	The impeller is clogged.	Clean the impeller.
	Loose screw connection of the unit casing or the outer ventilation hood.	Tighten the screws of the unit or the outer ventilation hood.

STORAGE AND TRANSPORTATION REGULATIONS

- Store the unit in the manufacturer’s original packaging box in a dry closed ventilated premise with temperature range from +5 °C to + 40 °C and relative humidity up to 70 %.
- Storage environment must not contain aggressive vapors and chemical mixtures provoking corrosion, insulation, and sealing deformation.
- Use suitable hoist machinery for handling and storage operations to prevent possible damage to the unit.
- Follow the handling requirements applicable for the particular type of cargo.
- The unit can be carried in the original packaging by any mode of transport provided proper protection against precipitation and mechanical damage. The unit must be transported only in the working position.
- Avoid sharp blows, scratches, or rough handling during loading and unloading.
- Prior to the initial power-up after transportation at low temperatures, allow the unit to warm up at operating temperature for at least 3-4 hours.

MANUFACTURER'S WARRANTY

The product is in compliance with EU norms and standards on low voltage guidelines and electromagnetic compatibility. We hereby declare that the product complies with the provisions of Electromagnetic Compatibility (EMC) Directive 2014/30/EU of the European Parliament and of the Council, Low Voltage Directive (LVD) 2014/35/EU of the European Parliament and of the Council and CE-marking Council Directive 93/68/EEC. This certificate is issued following test carried out on samples of the product referred to above.

The manufacturer hereby warrants normal operation of the unit for 24 months after the retail sale date provided the user's observance of the transportation, storage, installation, and operation regulations. Should any malfunctions occur in the course of the unit operation through the Manufacturer's fault during the guaranteed period of operation, the user is entitled to get all the faults eliminated by the manufacturer by means of warranty repair at the factory free of charge. The warranty repair includes work specific to elimination of faults in the unit operation to ensure its intended use by the user within the guaranteed period of operation. The faults are eliminated by means of replacement or repair of the unit components or a specific part of such unit component.

The warranty repair does not include:

- routine technical maintenance
- unit installation/dismantling
- unit setup

To benefit from warranty repair, the user must provide the unit, the user's manual with the purchase date stamp, and the payment paperwork certifying the purchase. The unit model must comply with the one stated in the user's manual. Contact the Seller for warranty service.

The manufacturer's warranty does not apply to the following cases:

- User's failure to submit the unit with the entire delivery package as stated in the user's manual including submission with missing component parts previously dismantled by the user.
- Mismatch of the unit model and the brand name with the information stated on the unit packaging and in the user's manual.
- User's failure to ensure timely technical maintenance of the unit.
- Damage to the unit casing and internal components caused by the user.
- Redesign or engineering changes to the unit.
- Replacement and use of any assemblies, parts and components not approved by the manufacturer.
- Unit misuse.
- Violation of the unit installation regulations by the user.
- Violation of the unit control regulations by the user.
- Unit connection to power mains with a voltage different from the one stated in the user's manual.
- Unit breakdown due to voltage surges in power mains.
- Discretionary repair of the unit by the user.
- Unit repair by any persons without the manufacturer's authorization.
- Expiration of the unit warranty period.
- Violation of the unit transportation regulations by the user.
- Violation of the unit storage regulations by the user.
- Wrongful actions against the unit committed by third parties.
- Unit breakdown due to circumstances of insuperable force (fire, flood, earthquake, war, hostilities of any kind, blockades).
- Missing seals if provided by the user's manual.
- Failure to submit the user's manual with the unit purchase date stamp.
- Missing payment paperwork certifying the unit purchase.



FOLLOWING THE REGULATIONS STIPULATED HEREIN WILL ENSURE A LONG AND TROUBLE-FREE OPERATION OF THE UNIT



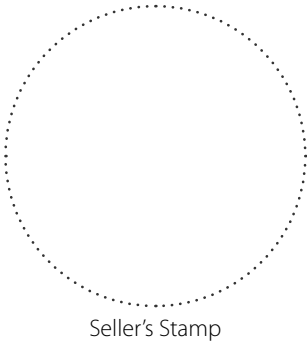
USER'S WARRANTY CLAIMS SHALL BE SUBJECT TO REVIEW ONLY UPON PRESENTATION OF THE UNIT, THE PAYMENT DOCUMENT AND THE USER'S MANUAL WITH THE PURCHASE DATE STAMP

CERTIFICATE OF ACCEPTANCE

Unit Type	Decentralized Heat Recovery Unit
Model	
Serial Number	
Manufacture Date	
Quality Inspector's Stamp	

SELLER INFORMATION

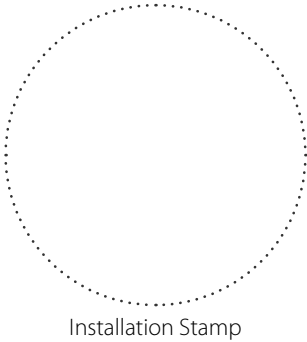
Seller	
Address	
Phone Number	
E-mail	
Purchase Date	
This is to certify acceptance of the complete unit delivery with the user's manual. The warranty terms are acknowledged and accepted.	
Customer's Signature	



INSTALLATION CERTIFICATE

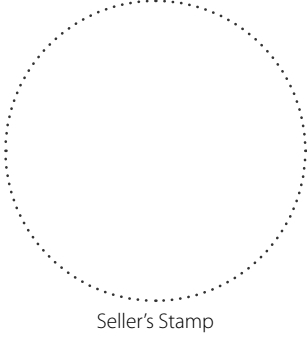
The _____ unit is installed pursuant to the requirements stated in the present user's manual.

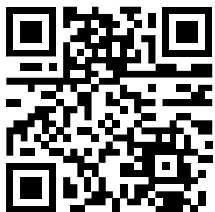
Company name	
Address	
Phone Number	
Installation Technician's Full Name	
Installation Date:	Signature:
The unit has been installed in accordance with the provisions of all the applicable local and national construction, electrical and technical codes and standards. The unit operates normally as intended by the manufacturer.	
Signature:	



WARRANTY CARD

Unit Type	Decentralized Heat Recovery Unit
Model	
Serial Number	
Manufacture Date	
Purchase Date	
Warranty Period	
Seller	





Manufacturer: Ventilation Systems LLC,
Ukraine, Kyiv, 1 M. Kotsyubynskoho Street

Address of production facilities:
Ukraine, Kyiv Region, Fastiv District, Boyarka, 36 Sobornosti Street

www.blaubebergventilatoren.de
B271EN-02