

VENTO INHOMEW

REVERSIBLE HEAT AND ENERGY RECOVERY VENTILATOR



VENTO inHome – is a brand new dMVHR solutions for newbuilt retrofit single-room applications, offer efficient and cost-effective ventilation.

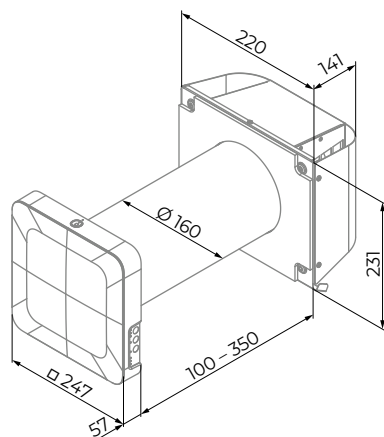
FEATURES

- A new compact cartridge for use in thin walls (from 100 mm).
- A brand new, stylish design of the indoor unit, featuring a mass-dyed black option and colorful textile panels.
- High efficiency (up to 88 %) heat and cool recovery to reduce energy costs.
- Speed selection (3 different speeds available) and 4 ventilation modes to ensure comfort.
- Integrated humidity sensor effectively prevents indoors mold growth.
- Built-in light sensor controls the brightness of the control panel LEDs and activates night mode automatically.
- Silent operation, making it perfect for living spaces.
- Low power consumption, making VENTO inHome suitable for continuous operation without significantly impacting energy bills.
- Remote management through a remote control or smart-phone.
- Equipped with an automatic shutter to prevent undesired external entry when turned off (optional).
- VENTO inHome is easy to mount through external walls without the need for complex ducting.
- Network operation guarantees balanced ventilation with Wi-Fi connection for units in groups.

Technical data

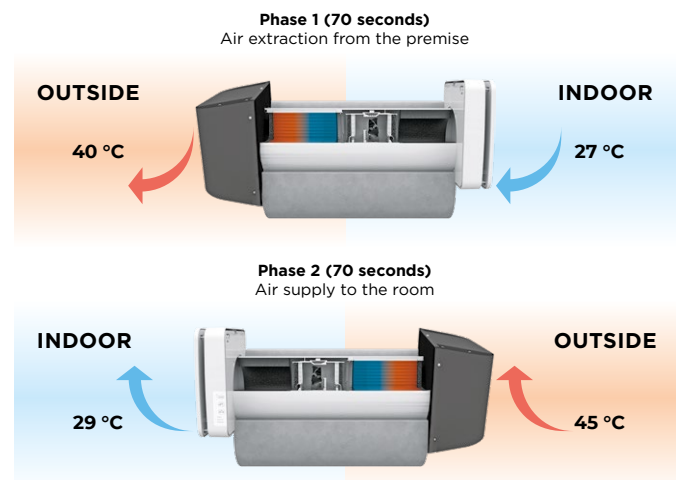
Model	Vento inHome CI L035 S W		
Nominal diameter [mm]	Ø 160		
Speed	I	II	III
Air flow in ventilation mode [m ³ /h]	15	35	50
Power [W]	1.7	3.0	4.3
Heat recovery efficiency	up to 88 %		
Heat exchanger material	Ceramic		
Sound pressure level at 3 m distance [dBA]	11	21	27
Transported air temperature [°F]	+5...+122		
SEC Class	A+		

Overall dimensions [mm]

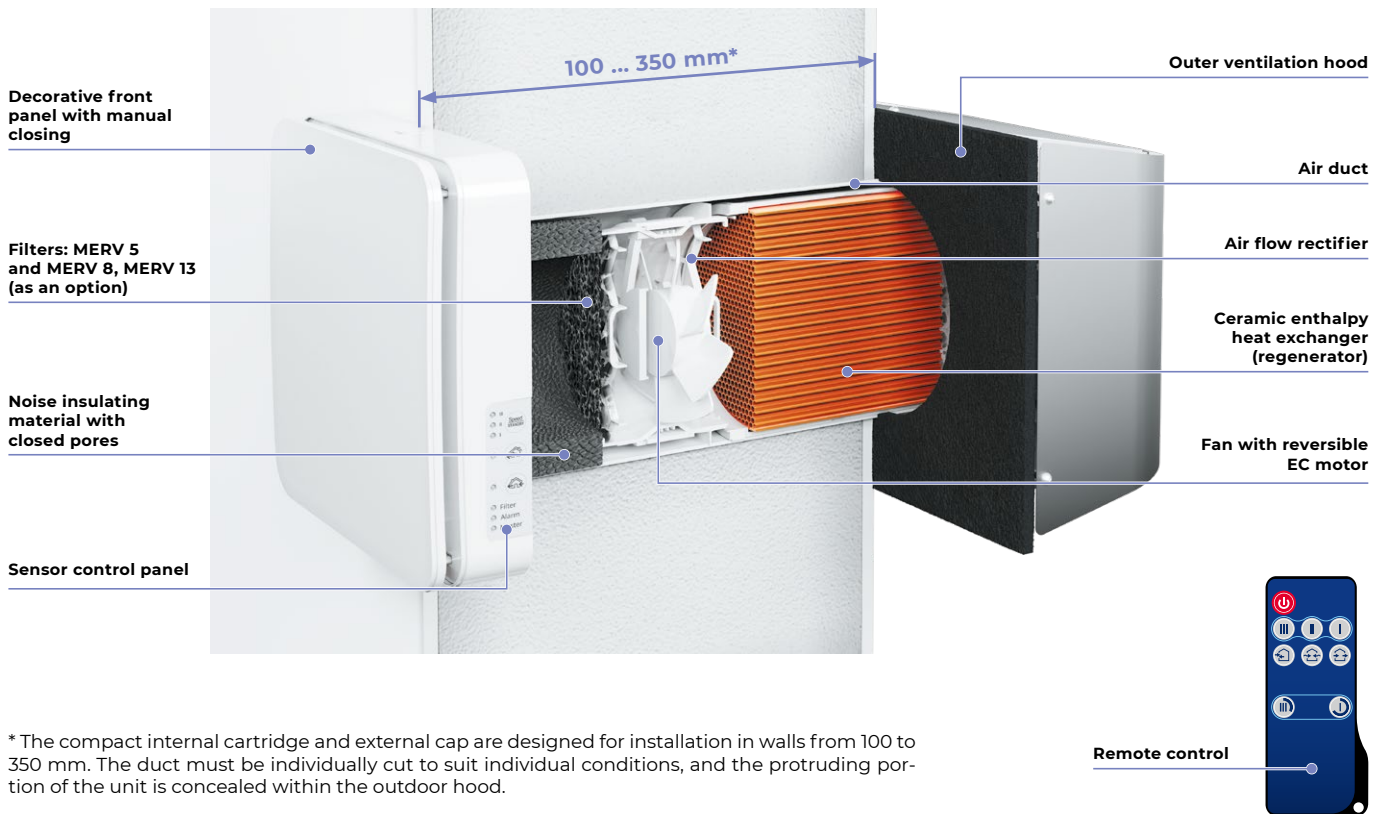


Energy Recovery

Unit operating logic in hot season



Design



The textile overlay accessories consist of 7 basic shades, available individually or in a Deco Design set.

