



OUTER VENTILATION HOOD



AH 160 Duo

EN

INSTALLATION INSTRUCTION

PURPOSE

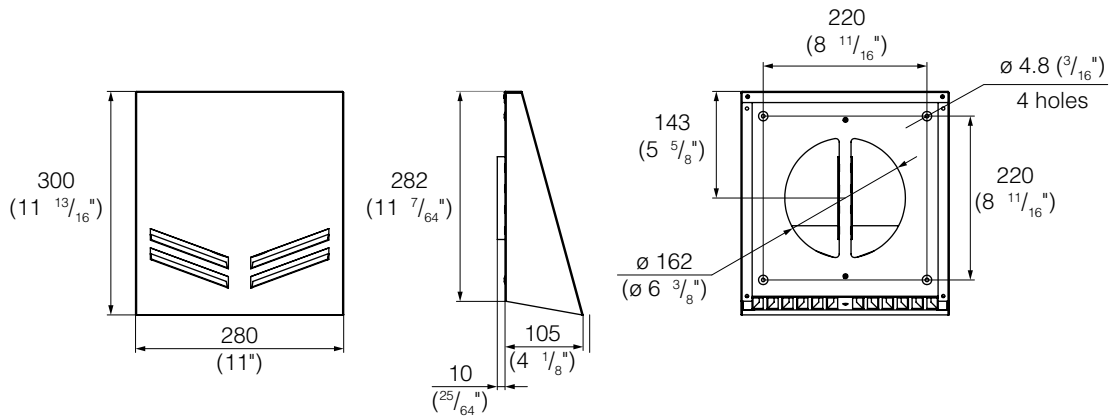
The outer ventilation hood is designed to prevent ingress of water and foreign objects into the ventilation equipment from outside. The air duct is designed for separated air ducts.



THE OUTER VENTILATION HOOD MAY NOT BE OPERATED BY CHILDREN OR PERSONS WITH REDUCED PHYSICAL, MENTAL OR SENSORY CAPACITIES, OR LACKING THE APPROPRIATE TRAINING.

THE CHOICE OF THE VENTILATION HOOD INSTALLATION LOCATION MUST PREVENT UNAUTHORIZED ACCESS BY UNATTENDED CHILDREN.

OVERALL DIMENSIONS, MM (INCH)

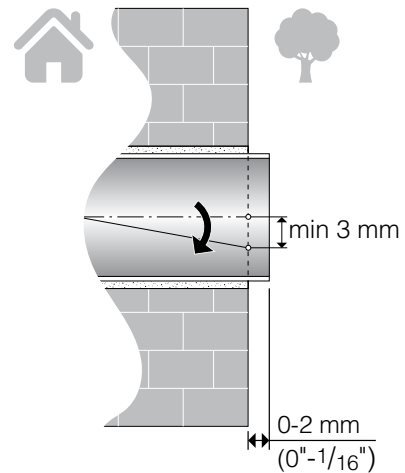


OUTER VENTILATION HOOD MOUNTING

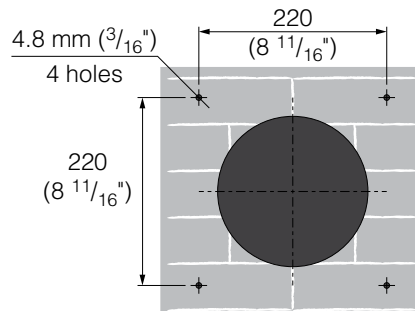
1. Insert the air duct from indoor to protrude from outside on the outer wall surface. Install the air duct with the minimum slope 3 mm downwards on the outer wall side.

Cut the air duct excess and a stream spreader with a hack saw or with any other suitable tool.

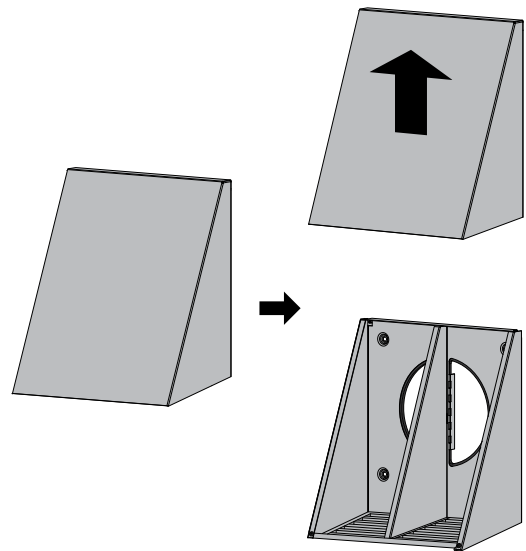
WARNING! If the mounting place is located at high altitude please refer to a mounting company possessing an appropriate mounting equipment!



2. Mark the fastening holes for the outer ventilation hood and drill 4 holes, 50 mm deep to suit the expansion anchors (6x40). Use the back wall of the ventilation hood to facilitate the marking.

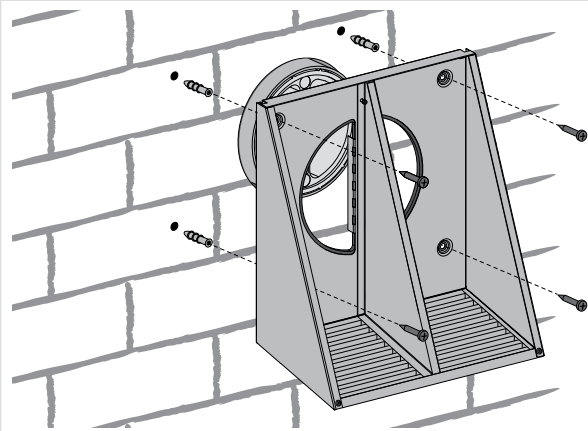


3. Insert the supplied expansion anchors 6x40 into the holes. Disassemble the outer ventilation hood to enable access to the fastening holes. Undo the 6 screws to remove the ventilation hood front part.

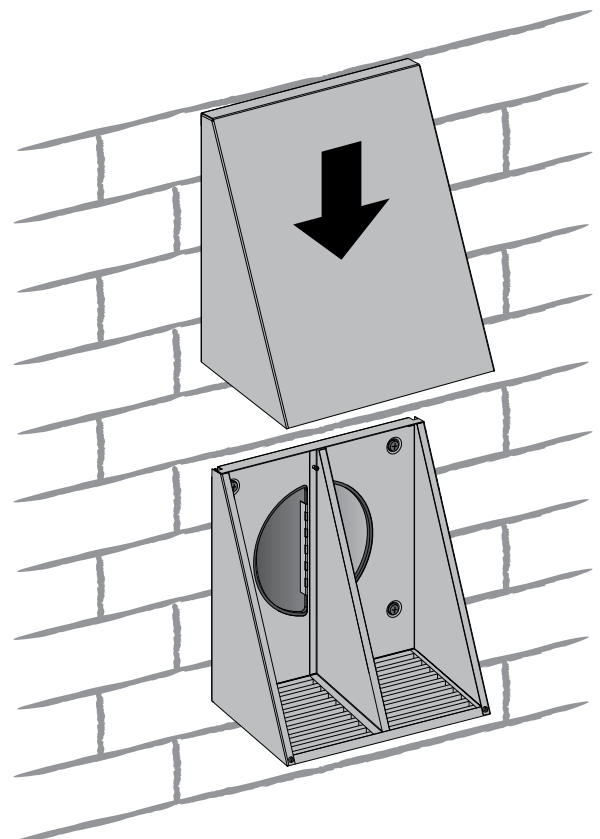


4. Insert the supplied expansion anchors 6x40 into the holes. Fix the back wall of the ventilation hood on the wall using the supplied screws 4x40.

Align the air stream separator with the guide on the back wall of the ventilation hood.



5. Cover the ventilation hood with the front part.





www.blaubergventilatoren.de
AH 160 Duo v1(1)EN