

# Valeo

---

*Service instruction*



**BLAUBERG**  
*Ventilatoren*

EN

**BLAUBERG VENTILATOREN GmbH Company is happy to offer your attention a new generation product, the BLAUBERG Valeo fan. The solid team of high-qualified professionals with many years of working experience, technological innovations in design and production, high-quality components and materials from the top worldwide producers have become the precondition for the best fan in its class.**

## INTRODUCTION

The present service instruction contains a technical description, technical data sheets, operation and mounting guidelines, safety precautions and warnings for safe and correct operation of the fan BLAUBERG Valeo.

## USE

BLAUBERG Valeo fans are designed for ventilation of residential and public premises heated during winter season. The fans are designed for wall or ceiling mounting.

Model **Valeo-E** for wall mounting.

Model **Valeo-BP** and **Valeo-BF** for wall flush mounting.

Model Valeo for mounting inside a pre-mounted casing BP 80 or BF 80.

## COMPLETE SET

	Valeo-E fig. 1	Valeo-BP fig. 2	Valeo-BF fig. 3	Valeo fig. 4	BP 80 fig. 5	BF 80 fig. 6
Fan, pcs.	1	1	1	1		
Casing, pcs.					1	1
Screw 3.5 x 40, pcs.	4	2	2		2	2
Screw 3.5 x 16, pcs.			4	3		4
Screw M4 x 20, pcs.		2			2	
Nylon dowel, pcs.	4	2	2		2	2
Mounting bracket, pcs.		2	2		2	2
Protecting cardboard plate, pcs.					1	1
Plastic screwdriver (for the models with timer) - 1 item;	1	1	1	1		
Service instruction, pcs;	1	1	1	1	1	1
Packing box, pcs.	1	1	1	1	1	1

## DESIGNATION KEY

Valeo-XXX XX/XXX/XXX X

*Fan name*

*Casing type*

no designation - ventilation unit without casing;

**E** - external casing;

**BP** - wall flush mounted plastic casing;

**BF** - fireproof casing;

**BFL** - fireproof casing with extra intake spigot on the left\*;

**BFR** - fireproof casing with extra intake spigot on the right\*;

**BFD** - fireproof casing with extra intake spigot downwards\*.

\* - if exhaust spigot is located upwards

*Number of speeds and maximum air flow [m<sup>3</sup>/h]*

**60/100/150;**

**35/60;**

**35/100;**

**35/60/100;**

**60/100.**

*Extra options*

**I** - interval switch;

**F** - photoelectronics;

**H** - humidity sensor (second speed);

**H1** - humidity sensor (first speed);

**T** - timer;

**TR** - regulated timer.

**XXX 80**

*Casing type*

**BP** - wall flush mounted plastic casing;

**BF** - fireproof casing;

**BFL** - fireproof casing with extra intake spigot on the left\*;

**BFR** - fireproof casing with extra intake spigot on the right\*;

**BFD** - fireproof casing with extra intake spigot downwards\*.

\* - if exhaust spigot is located upwards

*Exhaust spigot diameter [mm]*

Table 1

	Valeo 60/100/150	Valeo 35/60	Valeo 35/100	Valeo 35/60/100	Valeo 60/100
Number of speeds	3	2	2	3	2
V / 50 Hz	220-240	220-240	220-240	220-240	220-240
W	17/27/48	12/17	12/27	12/17/27	17/27
A	0.14/0,18/0.21	0.12/0.14	0.12/0.18	0.12/0,14/0.18	0.14/0.18
Cable cross section [mm <sup>2</sup> ]	4x1.5	3x1.5	3x1.5	4x1.5	3x1.5
m <sup>3</sup> /h	63/102/150	35/63	35/102	35/63/102	63/102
RPM	1350/1830/2640	890/1350	890/1830	890/1350/1830	1350/1830
dB(A), 3 m	30/35.2/43.7	26.6/30	26.6/35.2	26.6/30/35.2	30/35.2
°C, MAX	50	50	50	50	50

## MODIFICATIONS

### Basic model:

Two- or three-speed fan. The external manual speed switch is used for speed control.

### T - timer modification:

Depending on the selected wiring diagram the fan is off or runs at speed 1.

If the external speed switch is activated, the fan switches to speed 2 after 50 second countdown. After the fan is switched off, it continues running at speed 2 for 6 minutes and then it reverts to initial condition.

### TR - regulated timer:

Depending on the selected wiring diagram the fan is off or runs at speed 1.

If the external speed switch is activated, the fan switches to speed 2 after the time delay countdown adjustable from 0 to 150 second. After the fan is switched off, it continues running at speed 2 from 2 to 30 minutes and then it reverts to the initial condition.

The fan operation time and turn-off time is set by the integrated regulator.

### I - interval switch:

Depending on the selected wiring diagram the fan is off or runs at speed 1.

The fan switches to maximum speed periodically once in set time period

(from 30 minutes to 15 hours) for 10 minutes and then reverts to the initial condition.

After the external switch is activated the fan switches to maximum speed after 50 second countdown. After the external switch is turned off the fan reverts to the interval operation mode.

## **F - integrated photoelectronics**

Depending on the selected wiring diagram the fan is off or runs at speed 1. After light is on the fan switches to maximum speed after 50 second countdown. After light is off, the fan continues running at speed 2 from 2 to 30 minutes and the fan reverts to the initial condition. The fan operation at speed 2 is set by the integrated regulator.

## **H - humidity sensor (second speed):**

Depending on the selected wiring diagram the fan is off or runs at speed 1. The fan switches to speed 2 if the indoor humidity level exceeds the set point from 60 % to 90 %. The fan is switched off if the indoor humidity drops 10 % below the set point. In case of switching on the light in the room, the fan switches to speed 2. In this situation the turn-on delay time is 50 seconds and the operation time is set by the integrated regulator from 2 to 30 minutes.

## **H1 - humidity sensor (first speed):**

The fan is turned off by default. The fan starts running at the first speed in if the indoor humidity level exceeds the set point from 60 % to 90 %. The fan is switched off if the set indoor humidity is reduced by 10 %. In case of switching on the light in the room, the fan switches to speed 2. In this situation the turn-on delay time is 50 seconds and the operation time is set by the integrated speed controller from 2 to 30 minutes.

## **OPERATION RULES**

The fan is rated for connection to 220...240 V / 50 Hz power mains and is designed for continuous operation always connected to power mains.

The fan is rated for operation at ambient temperature from +1 °C up to +45 °C.

The fan does not require grounding.

Protection degree index according to IP rating against access to hazardous parts and water ingress - IP 55.

The fans do not cause interference with radio-, TV- or video- equipment.

Service life is not less than 5 years.

*The fan design is regularly improved, so some models can slightly differ from those ones described in this service instruction.*

## SAFETY RULES

All operations related to the fan electrical connections, servicing and repair works are allowed only after the fan disconnection from power mains.

All mounting and servicing operations are allowed for duly qualified electricians with valid electrical work permit for electric operations at the units up to 1000 V after careful study of the present user's manual.

The single-phase power grid must comply with the acting local electrical norms and standards. The fixed electrical wiring must be equipped with an automatic switch that is used for connection of the fan to power mains with gap on all poles at least 3 mm. The circuit breaker trip current must be in compliance with the fan current consumption, refer Table 1.

Make sure the impeller and the casing are not damaged before starting installation. The casing internals must be free of any foreign objects which can damage the impeller blades. Misuse of the product or any unauthorized modification are not allowed.

The product is not allowed for use by children and persons with reduced physical, mental or sensory capacities, without proper practical experience or expertise, unless they are controlled or instructed on the product operation by the person(s) responsible for their safety. Supervise the children and do not let them play with the product.

Take steps to prevent ingress of smoke, carbon monoxide and other combustion products into the room through open chimney flues or other fire-protection devices. Sufficient air supply must be provided for proper combustion and exhaust of gases through the chimney of fuel burning equipment to prevent back drafting.

The maximum permitted pressure difference per living units is 4 Pa.

Operating medium must not contain any dust or other solid impurities, sticky substances or fibrous materials.

The fan is not rated for operation in a media that contains hazardous or explosive materials and vapours, i.e. spirits, gasoline, insecticides, etc.

Do not close or block the fan intake or exhaust vent not to disturb the natural air passage.

Do not sit on the fan and do not put objects on the fan.

Follow the guidelines of this service instructions to ensure durable operation of the product.

Fig. 1

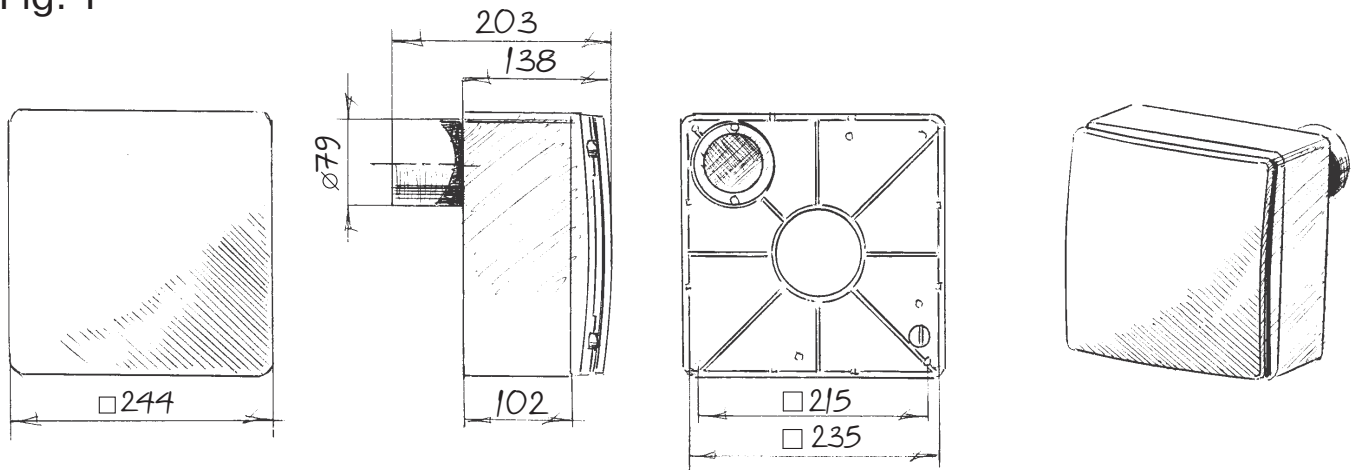


Fig. 2

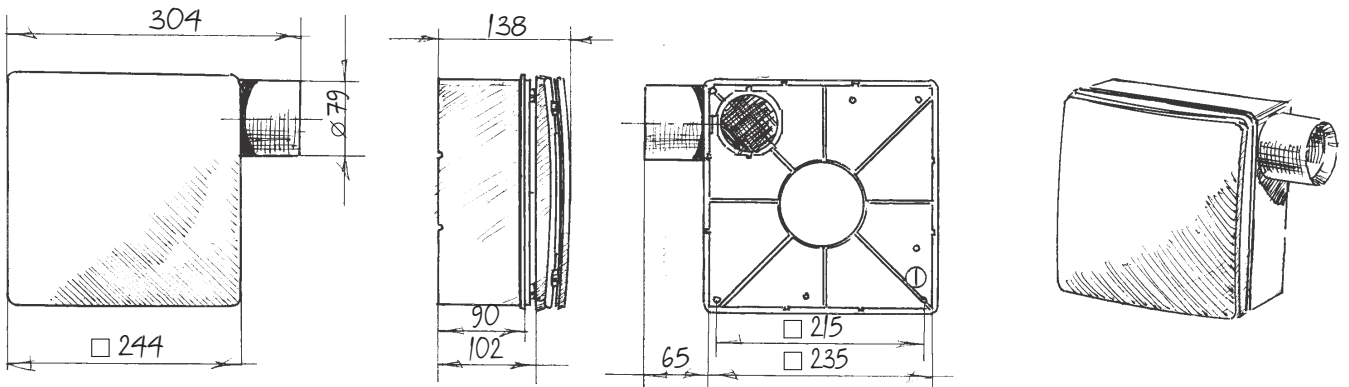


Fig. 3

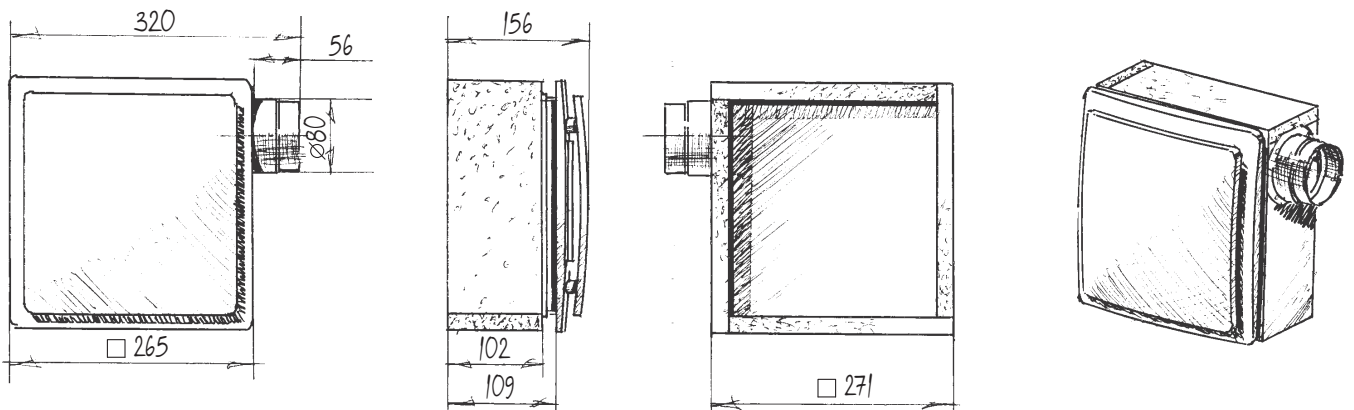


Fig. 4

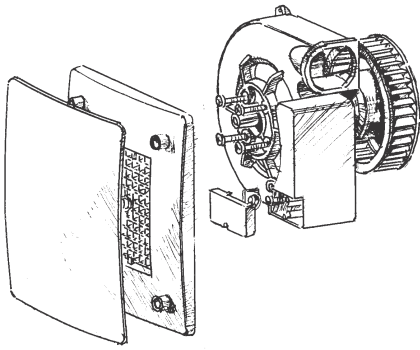


Fig. 5

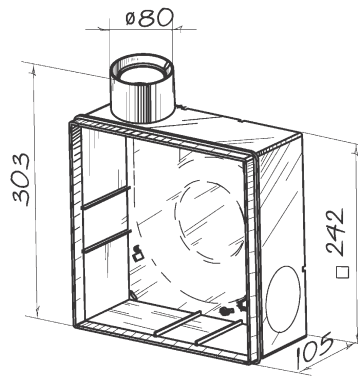


Fig. 6

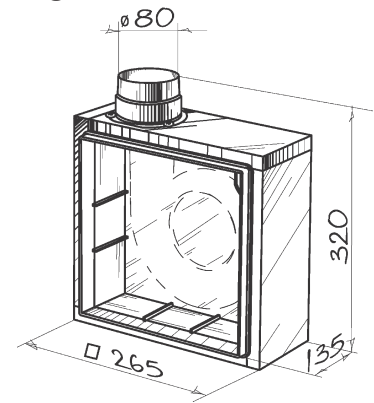
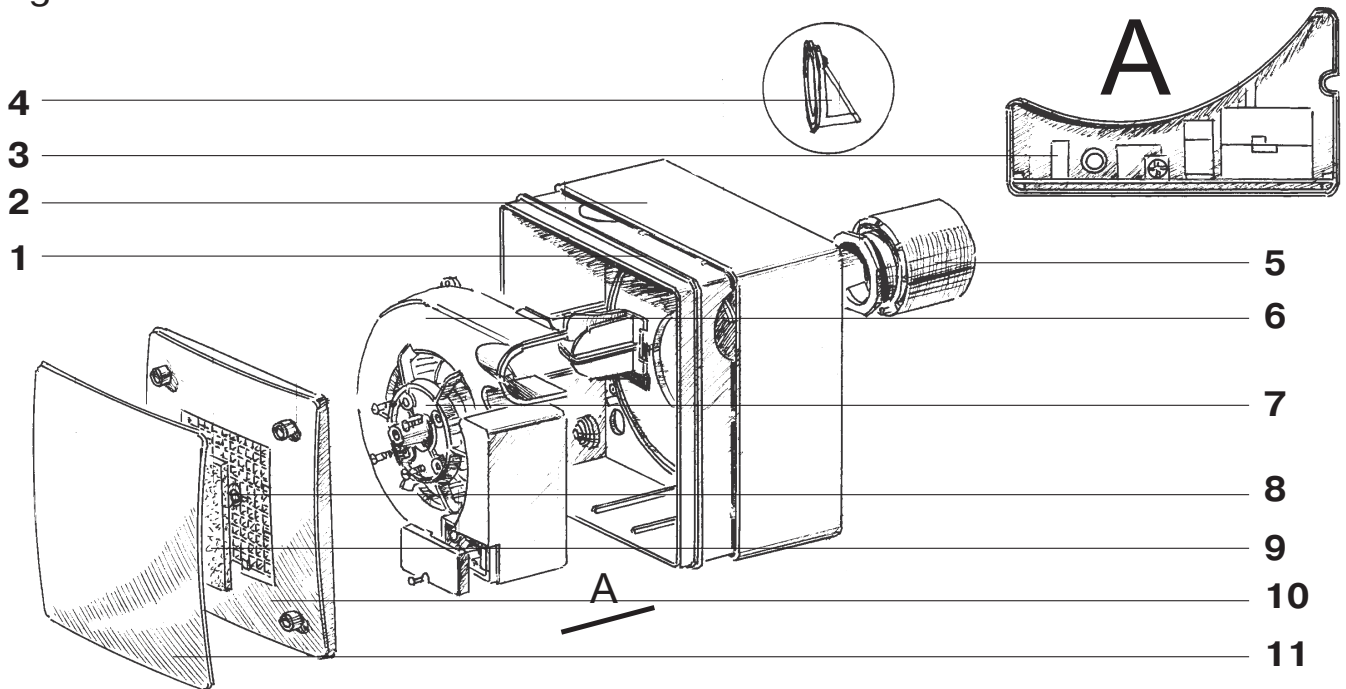


Fig. 7



- 1 - casing, 2 - outer housing, 3 - control board, 4 - backdraft damper,  
 5 - spigot, 6 - scroll casing, 7 - impeller, 8 - screw,  
 9 - filter, 10 - grille, 11 - front panel.

The fan **Valeo-E** is designed for wall mounting.

The fan **Valeo-E** (fig. 7) consists of the casing with internally fixed scroll casing 6.

The impeller 7 is placed inside the scroll casing. The backdraft damper 4 and the spigot 5 are located at outlet from the scroll casing. The outer housing 2 covers the fan casing 1. The control board 3 is placed inside the scroll casing electronic module.

The fan casing 1 is covered with a grille 10 that is fixed by the screw 8.

The grille is covered with the filter 9 and the front panel 11.

Prior to the fan mounting check the correct backdraft damper 4 position that must be gravitationally closed as shown in fig. 7.



Fig. 8

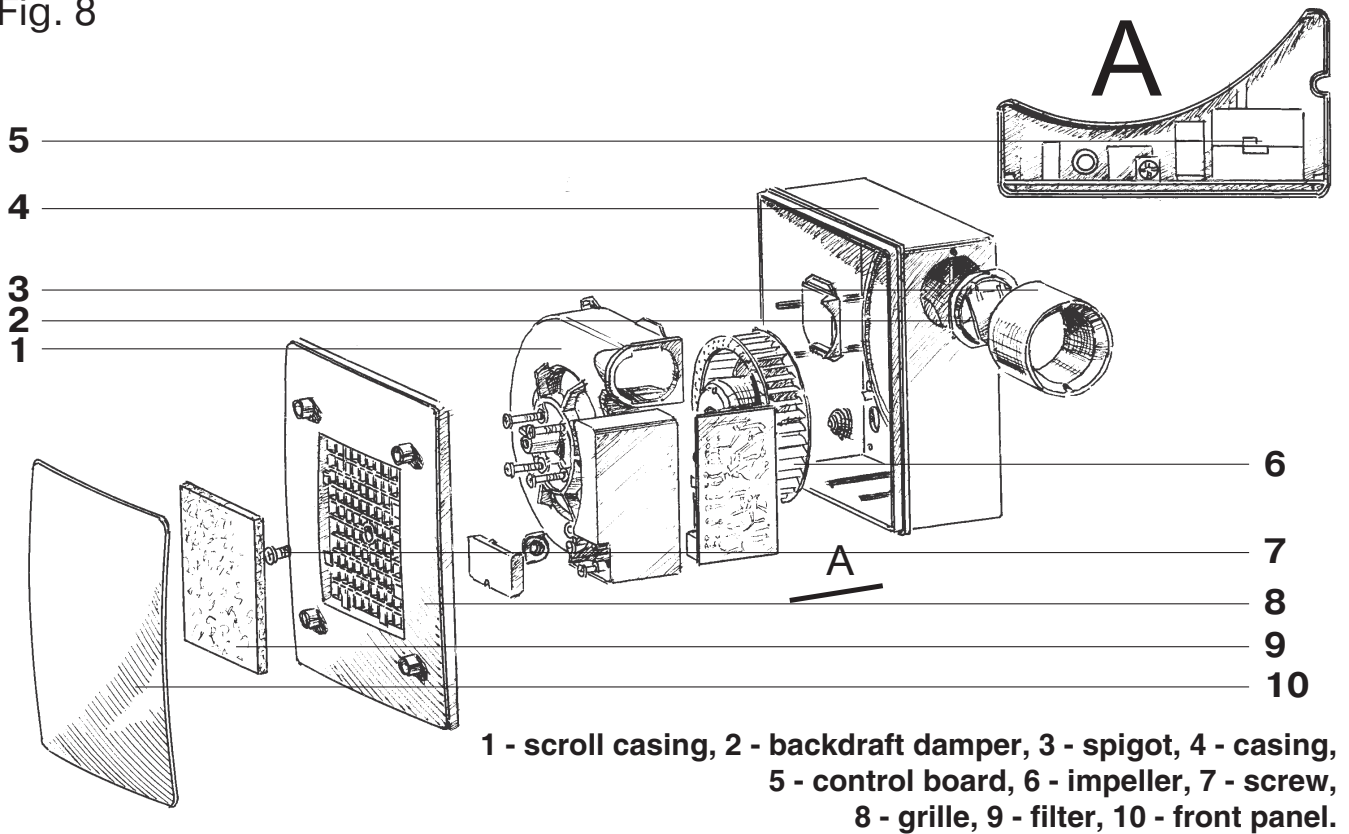
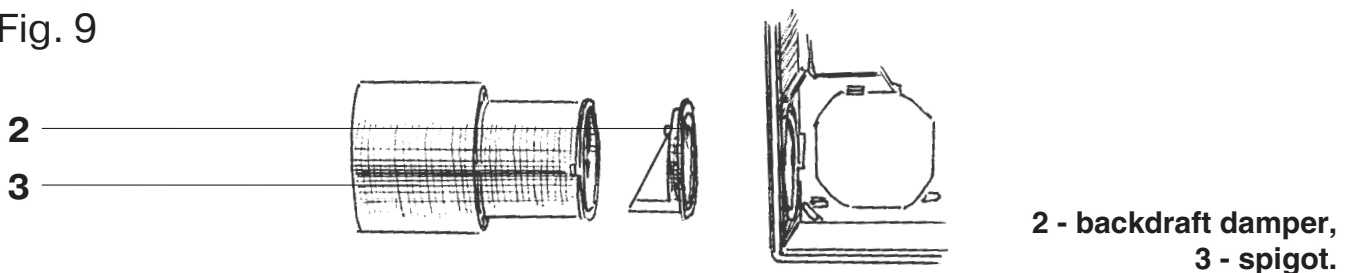


Fig. 9



The fan **Valeo-BP** is designed for wall flush mounting and the exhaust spigot orientation upwards, right or left.

The fan **Valeo-BP** consists of the casing 4 with internally fixed scroll casing 1.

The impeller 6 is placed inside the scroll casing.

The backdraft damper 2 and the spigot 3 is located at outlet from the scroll casing.

The grille 8 is covered with the filter 9 and the front panel 10.

The grille 8 is fixed with the screw 7.

The control board 5 is placed inside the scroll casing electronic module.

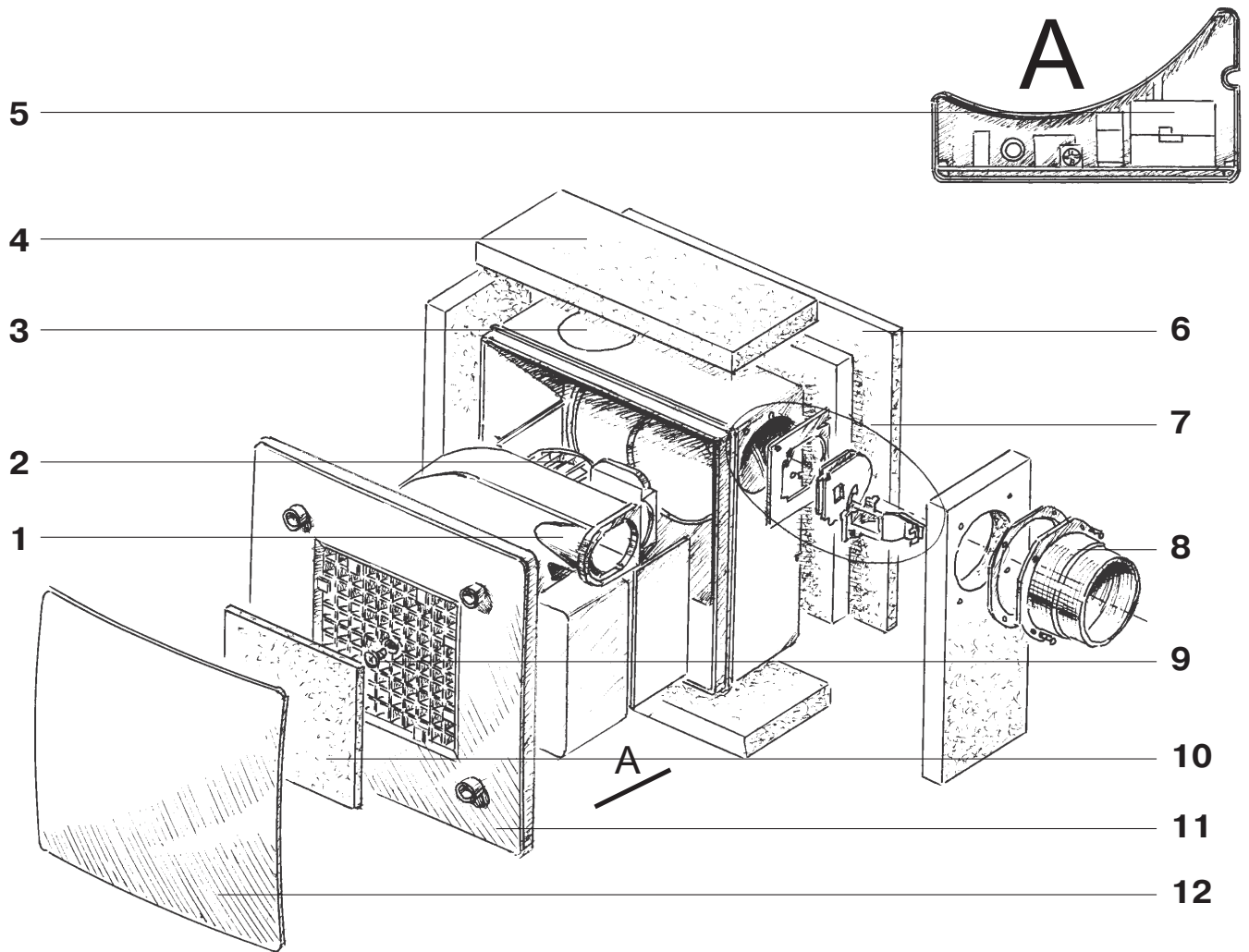
Prior to the fan mounting check the correct backdraft damper 4 position that must be gravitationally closed.

The backdraft damper is assembled at works with the exhaust spigot orientation right or upwards (fig. 8).

For left orientation of the spigot remove the backdraft damper 2 from the spigot 3 and turn the damper by 180°, then re-install it inside the spigot.

Fix the spigot on the casing (fig. 9).

Fig. 10



- 1 - scroll casing, 2 - impeller, 3 - casing, 4 - fire-resistant material, 5 - control board,  
6 - plasterboard plate, 7 - fire-retarding spring-loaded backdraft damper,  
8 - spigot, 9 - screw, 10 - filter, 11 - grille, 12 - front panel.

The fan **Valeo-BF** (fig. 10) is designed for wall flush mounting and provides fire protection of a premise in case of fire propagation through air ducts.

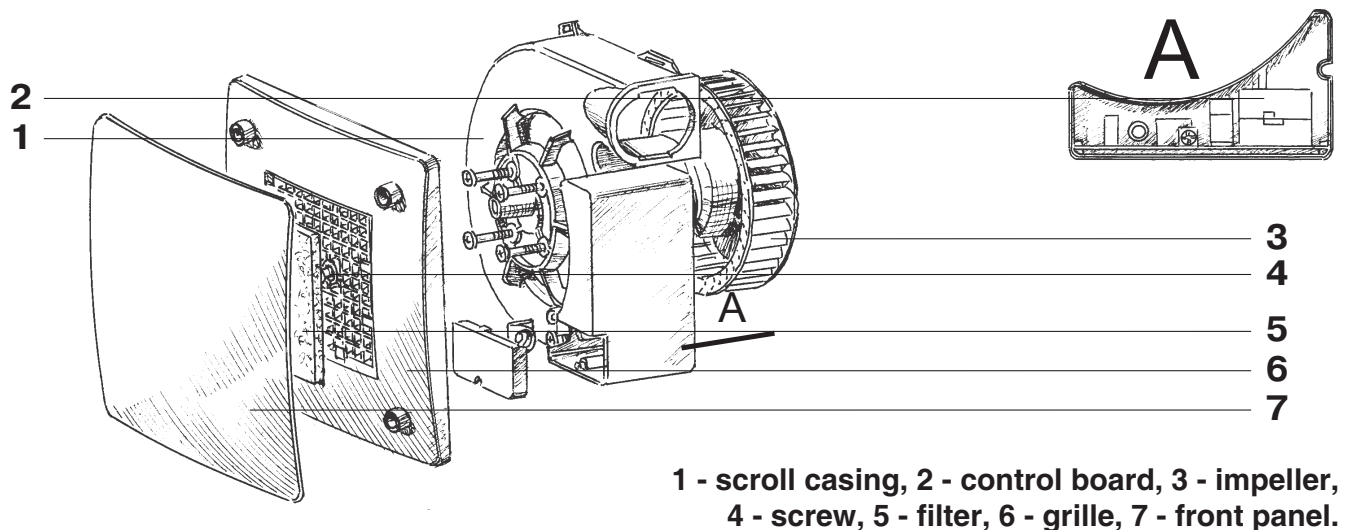
The plastic casing 3 is lined on 5 sides with the fire-resistant material 4.

The casing back side is extra lined with the plasterboard plate 6. The scroll casing 1 with the fixed impeller 2 is placed inside the fan casing.

The fire-retarding spring-loaded backdraft damper 7 and the spigot 8 is located at outlet from the scroll casing. The grille 11 is covered with the filter 10 and the front plate 12. The grille 11 is fixed on the scroll casing with the screw 9.

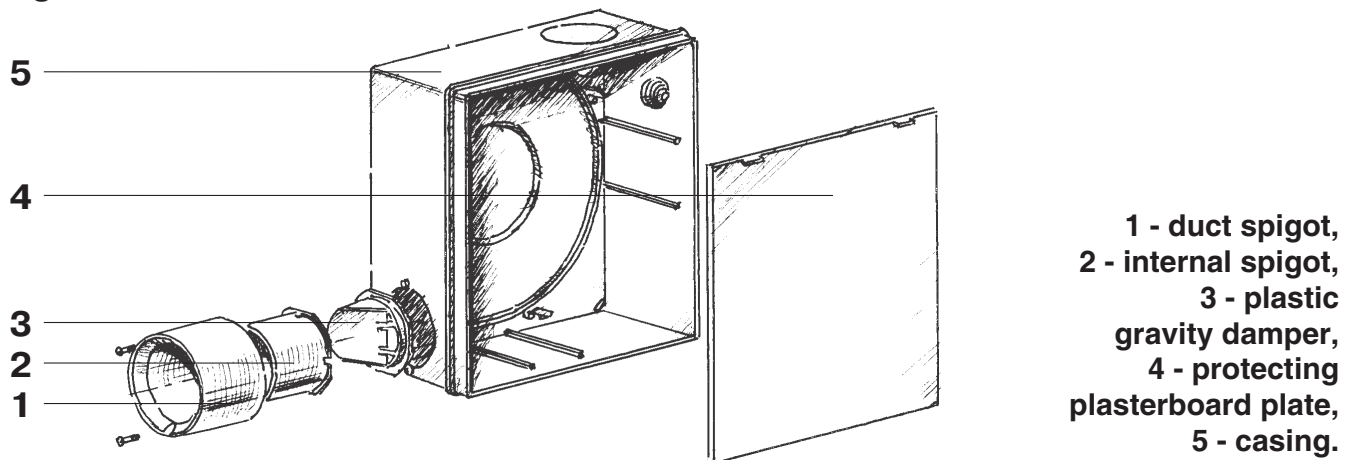
The control board 5 is placed inside the scroll casing electronic module.

Fig. 11



The fan unit Valeo is designed for installation inside the casing **BP 80** or **BF 80** that is pre-mounted inside a wall. The ventilation unit Valeo (fig. 11) consists of the scroll casing 1 with internally fixed impeller 3. The scroll casing has latches for fixation to the casing **BP 80** or **FBF 80**. The grille 6 is covered with the filter 5 and the front panel 7 and is fixed to the scroll casing 3 with the screw 4. The control board 2 is placed inside the scroll casing electronic module.

Fig. 12

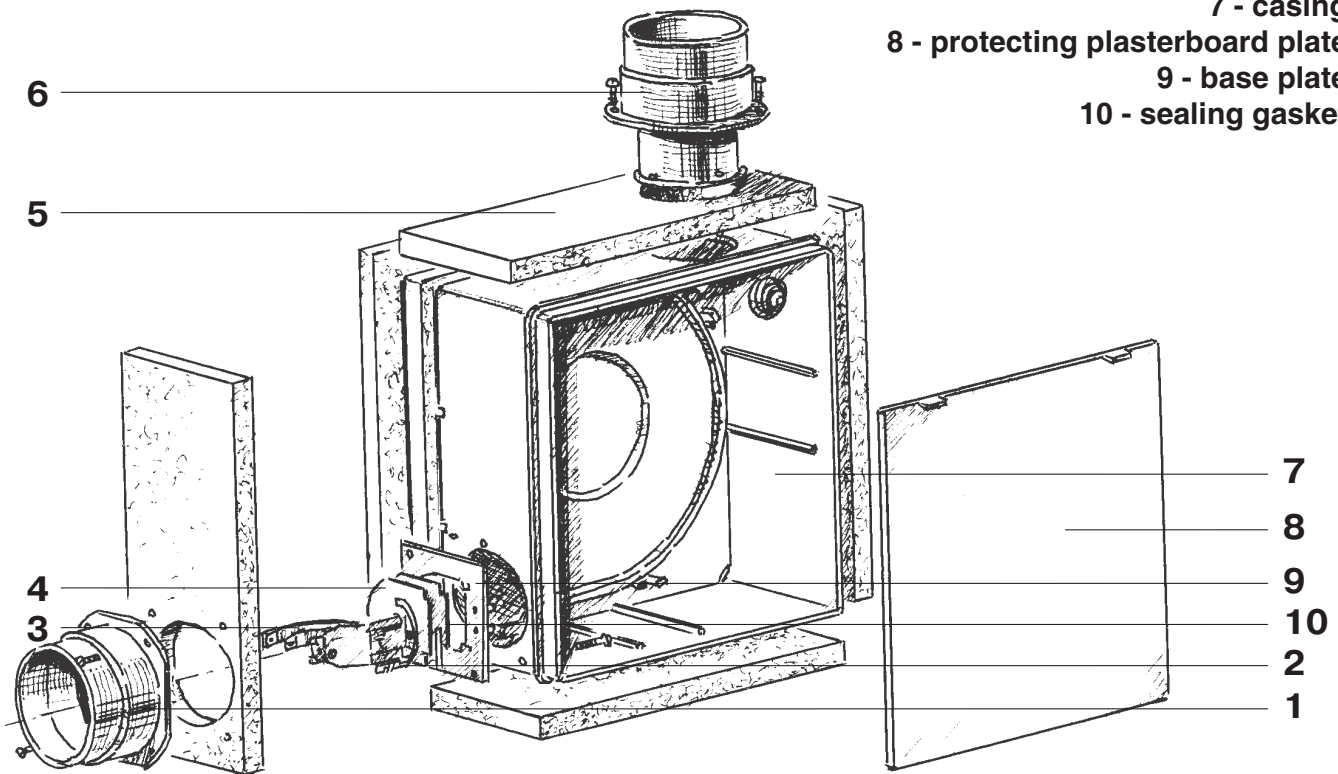


The flush wall mounted plastic casing **BP 80** (fig. 12) has no fire-retarding properties and is installed inside a wall prior to competing finishing works. The casing also includes the plastic gravity damper 3, duct spigot 1 and the internal spigot 2. Prior to the casing mounting check the correct backdraft damper position that must be gravitationally closed. After installation of the casing inside a wall connect the spigot with the ventilation shaft by  $\varnothing$  80 mm air duct.

Cover the casing with the protecting plasterboard plate 4 to prevent the casing internals from soiling and damages until the ventilation unit Valeo is installed inside.  
Install the ventilation unit Valeo inside the casing after completion of the finishing operations.

Fig. 13

- 1 - exhaust spigot,
- 2 - melting fuse,
- 3 - damper spring,
- 4 - fire-retarding spring-loaded backdraft damper,
- 5 - fire-resistant material,
- 6 - intake spigot,
- 7 - casing,
- 8 - protecting plasterboard plate,
- 9 - base plate,
- 10 - sealing gasket.



The fireproof casing **BF 80 (BFL, BFR, BFD)** (fig. 13) is designed for fire protection of a premise in case of fire propagation through air ducts.

The casing is installed inside a wall prior to competing finishing works.

The plastic casing 7 is lined on 5 sides with the fire-resistant material 5.

The fire-retarding spring-loaded backdraft damper 4 with a sealing gasket 10 is installed at outlet from the scroll casing.

The damper is closed with a spring 3 after the thermal fuse 2 melts.

After installation of the casing inside a wall connect the spigot with the ventilation shaft by Ø 80 mm air duct.

Cover the casing with the protecting plasterboard plate 8 to prevent the casing internals from soiling and damages until the ventilation unit Valeo is installed inside.

Install the ventilation unit Valeo inside the casing after completion of the finishing operations.

## VALEO-E FAN MOUNTING OPTIONS

The fan models **Valeo-E** are suitable for wall and ceiling mounting.

The fan wall mounting examples are shown in fig. 14-18.

Fig. 14

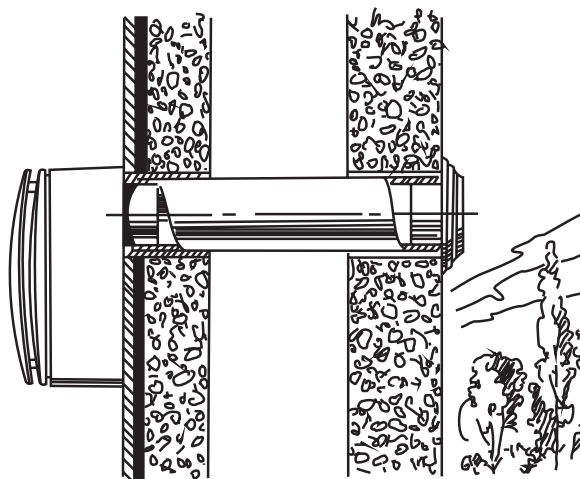


Fig. 15

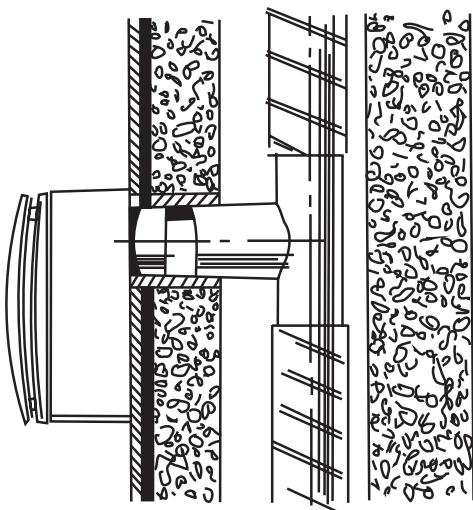


Fig. 16

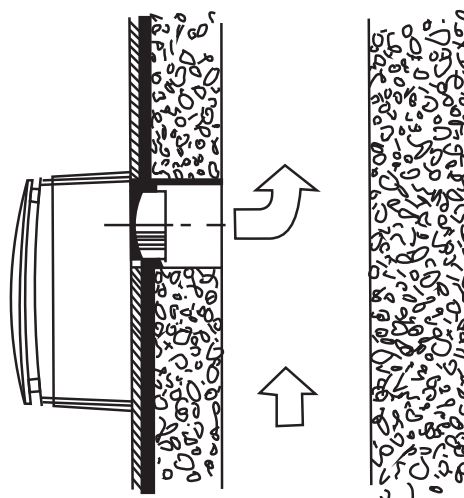


Fig. 17

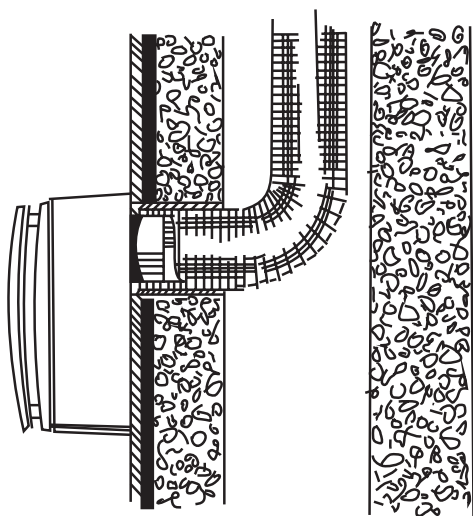
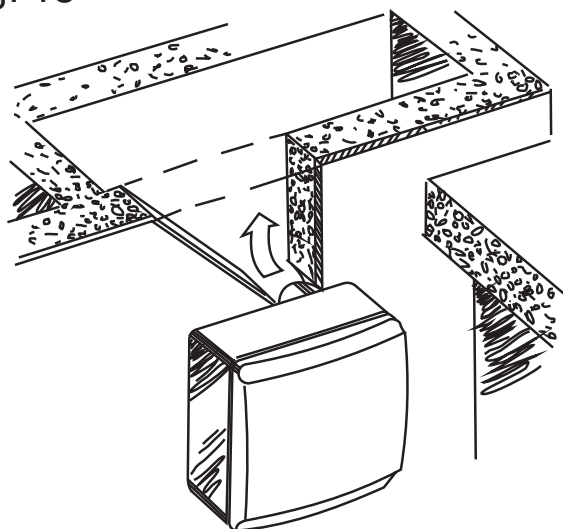


Fig. 18





## VALEO-E FAN MOUNTING OPTIONS

Fig. 19

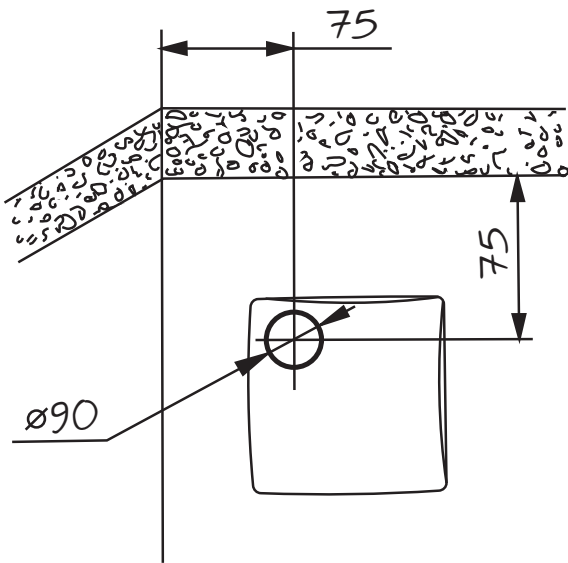


Fig. 20

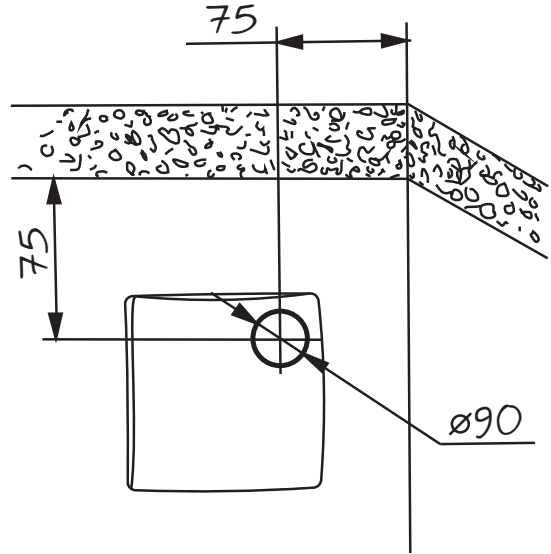


Fig. 21

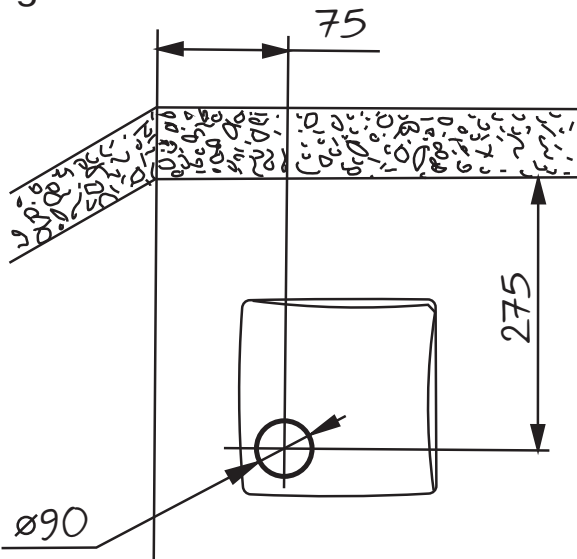
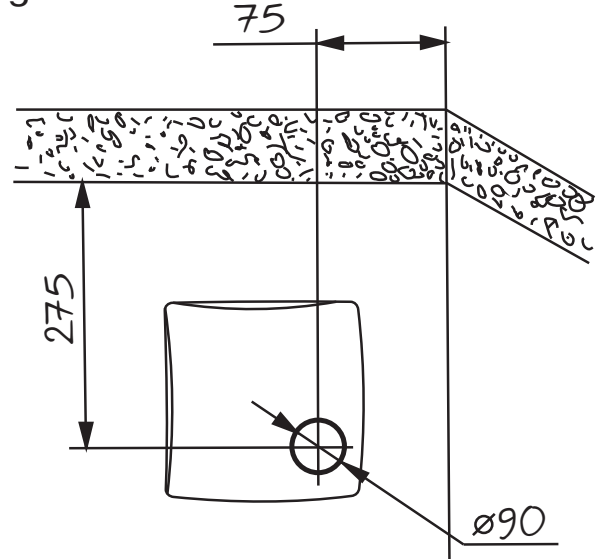


Fig. 22



Select one of four possible mounting options for the fan Valeo-E with respect to the ceiling and side wall (fig. 19-22). Mark and drill holes accordingly.

**Valeo-E** mounting sequence:

remove the front panel (fig. 23);

remove the filter (fig. 24);

remove the screw and the grille (fig. 25);

install the fan casing in compliance with one of four possible mounting options.

Mark 4 holes for screw fastening (fig. 26);

drill the holes for dowels, insert dowels (fig. 27);

install the fan casing assembled with the scroll casing and fix it with screws (fig. 28).

# VALEO-E FAN MOUNTING SEQUENCE

Fig. 23

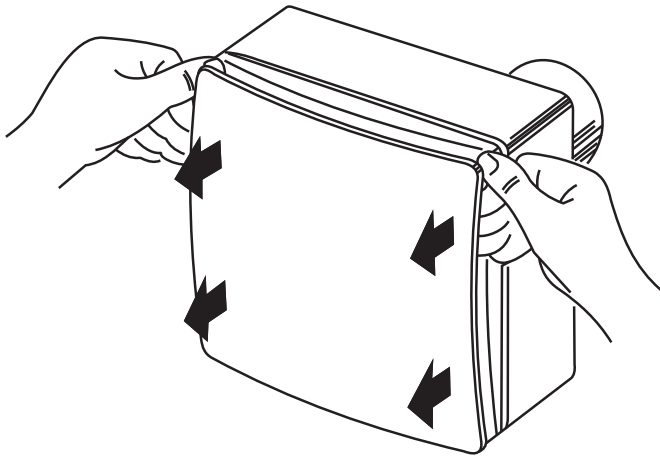


Fig. 24

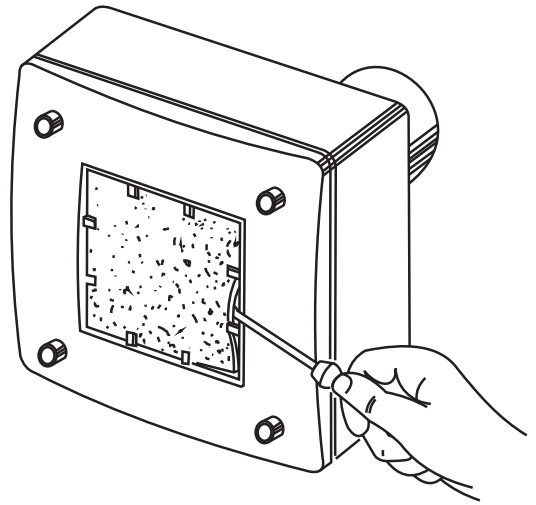


Fig. 25

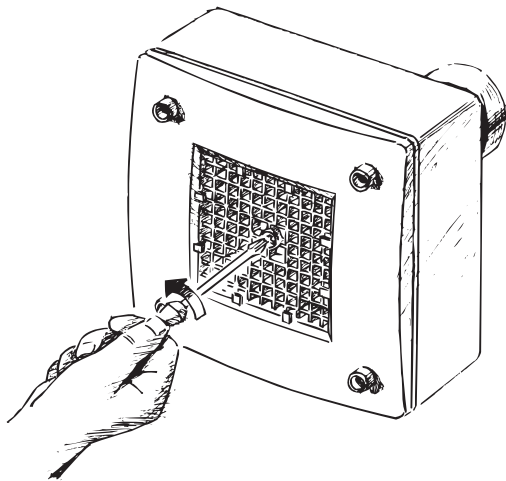


Fig. 26

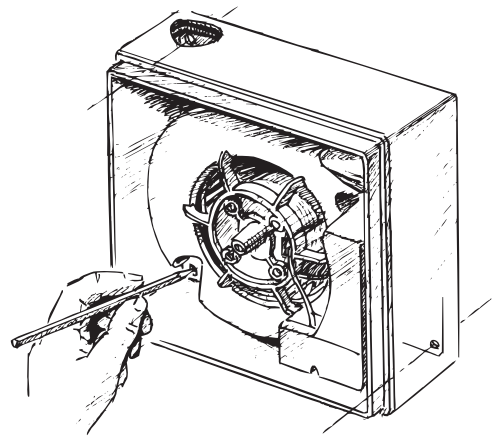


Fig. 27

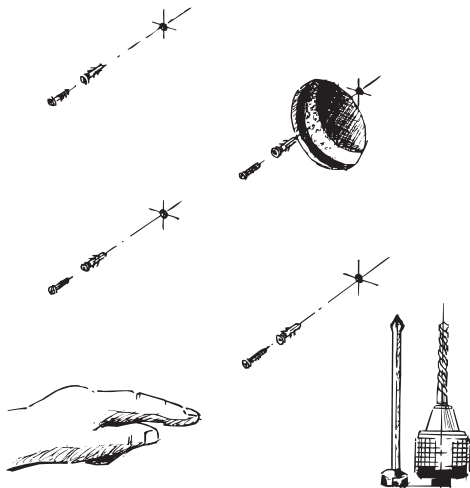
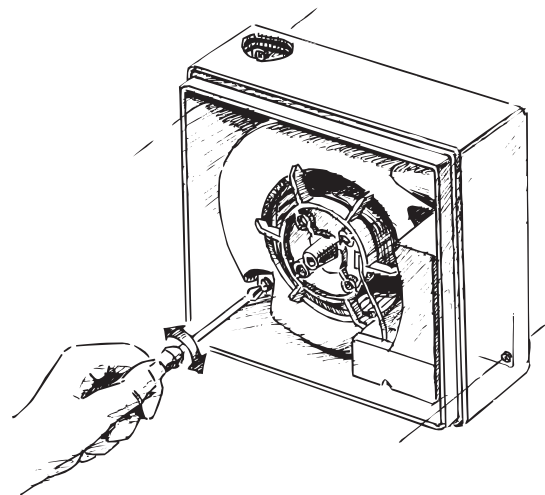


Fig. 28



## VALEO-BP FAN MOUNTING OPTIONS

Fig. 29

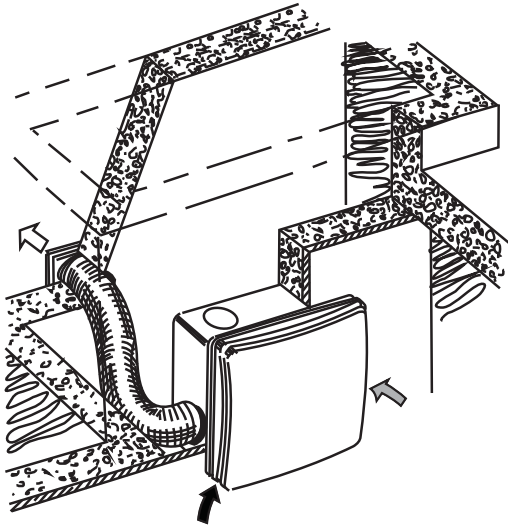


Fig. 30

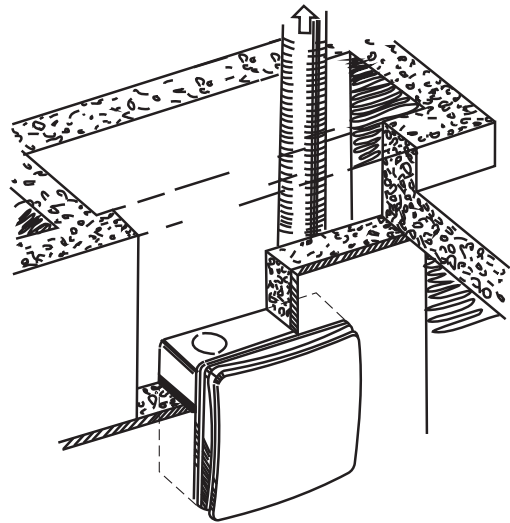


Fig. 31

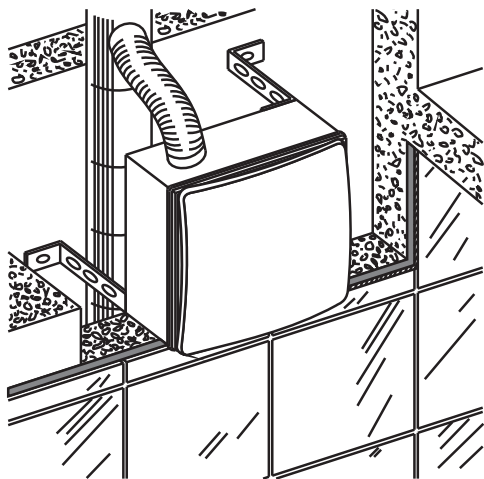
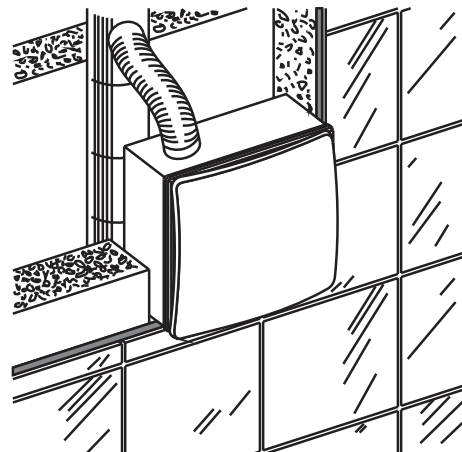


Fig. 32



The fan **Valeo-BP** mounting examples on mounting brackets are shown in fig. 29-32. The fans **Valeo-BP** and **Valeo-BF** are mounted in two states: casing mounting and final mounting.

Disassemble the fan and release the casing as shown in fig. 33-37 prior to starting mounting.

The casing is mounted at general construction stage. After completing mounting cover the casing with a protecting cardboard plate to prevent the casing internals from soiling and damages during finishing operations in the room (fig. 42).

After completion of the finishing works install the ventilation unit Valeo inside the casing of the fan **Valeo-BP** or **Valeo-BF**.



## VALEO-BP FAN MOUNTING OPTIONS

Mounting sequence:

- remove the front panel (fig. 33);
- remove the filter (fig. 34);
- remove the screw and the grille (fig. 35);
- remove the screw and press the latches to release the scroll casing (fig. 36);
- remove the scroll casing from the casing (fig. 37);
- bend the mounting bracket for the required length and fix it to the casing with M4 screws that are supplied in the delivery set (fig. 38-41).

Fig. 33

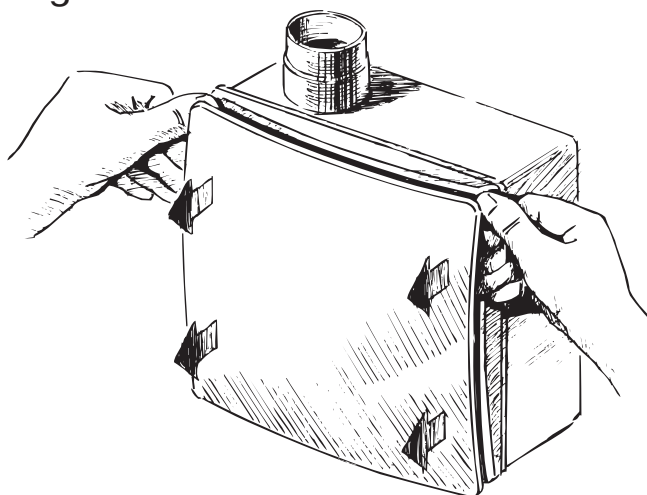


Fig. 34

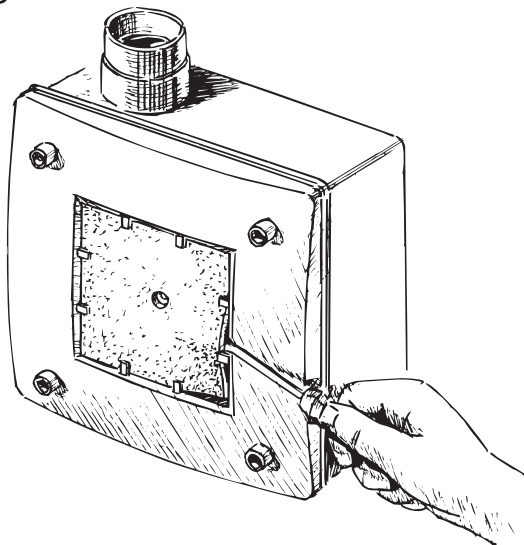


Fig. 35

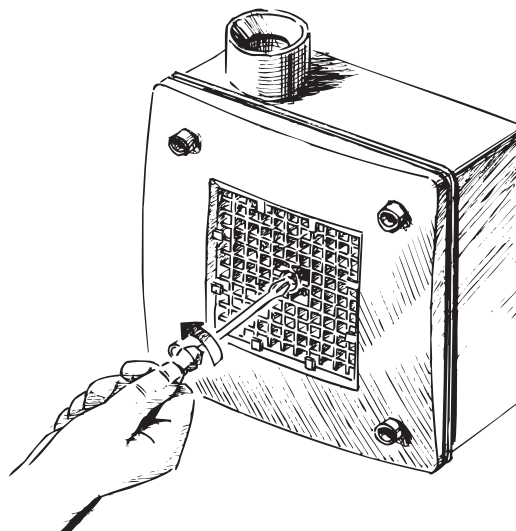


Fig. 36

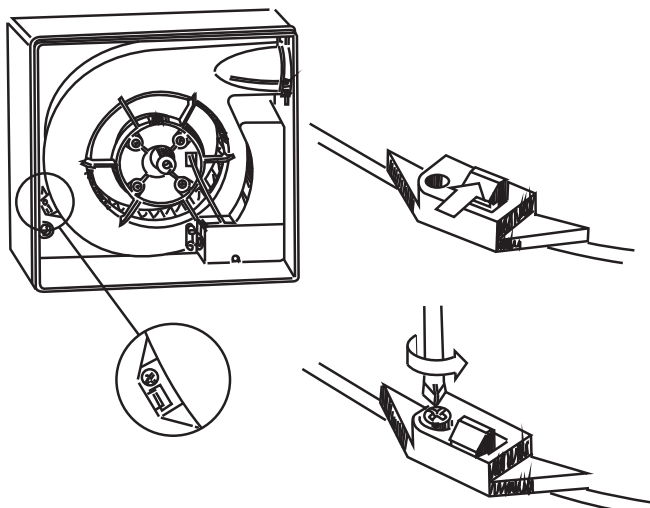


Fig. 37

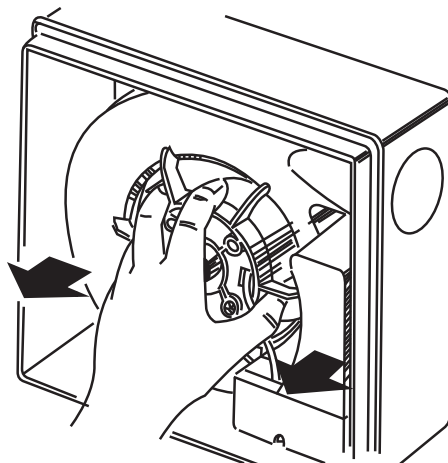


Fig. 38

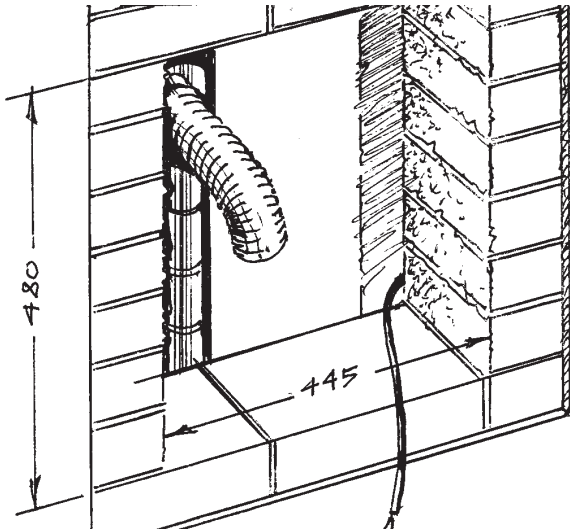


Fig. 39

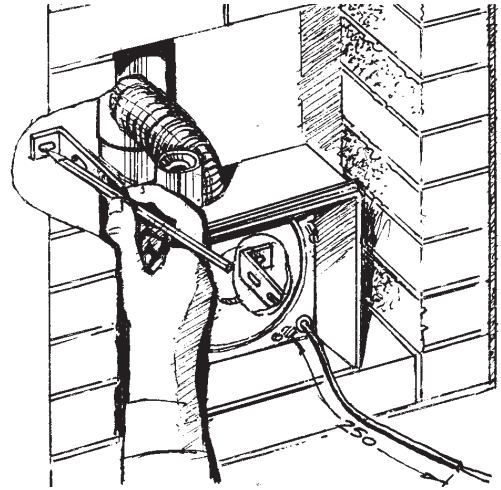


Fig. 40

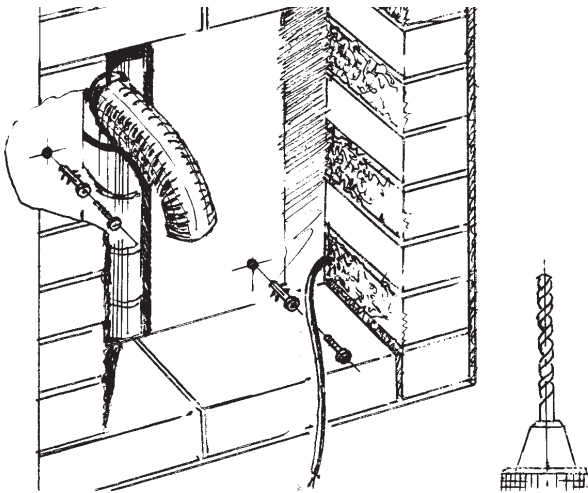


Fig. 41

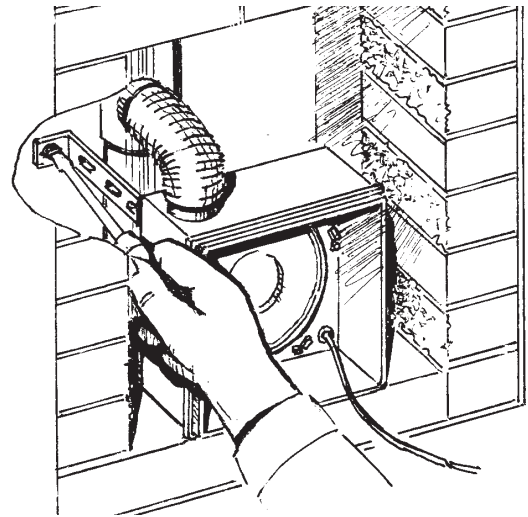


Fig. 42

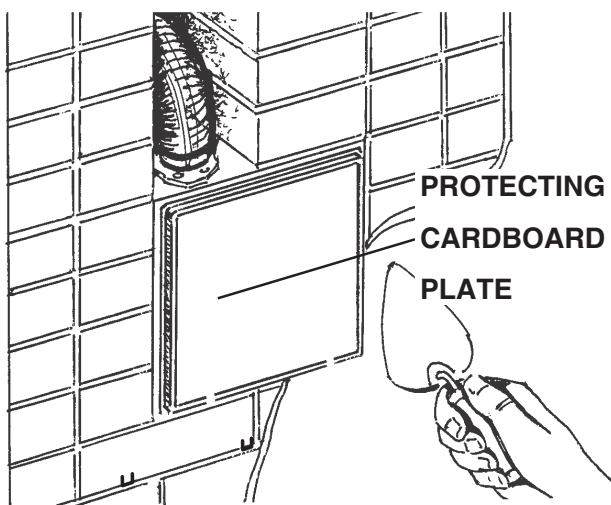


Fig. 43

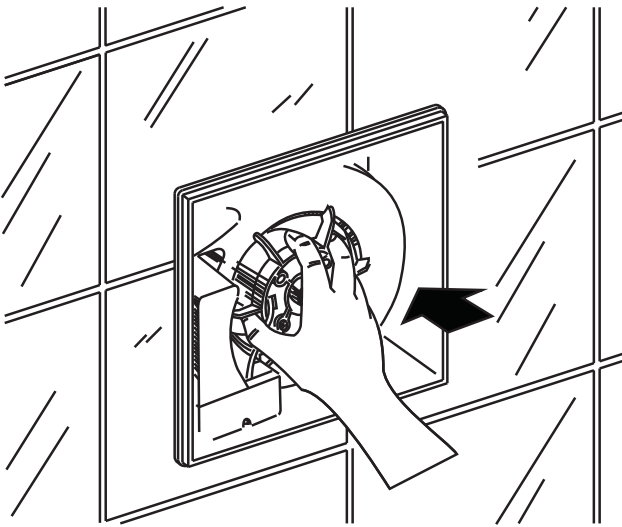


Fig. 44

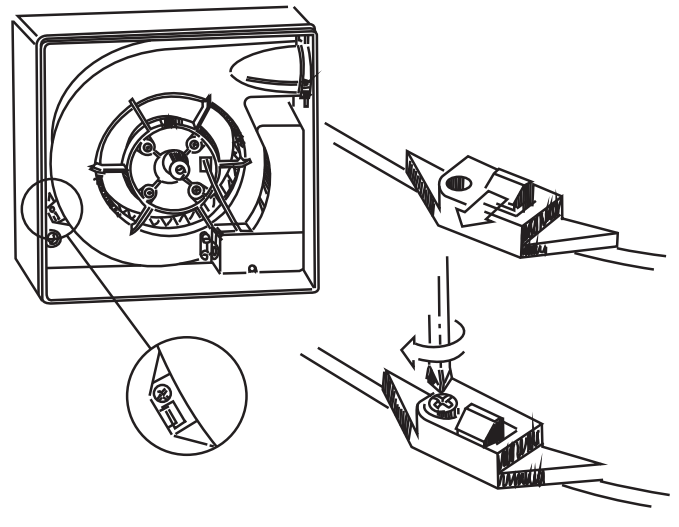


Fig. 45

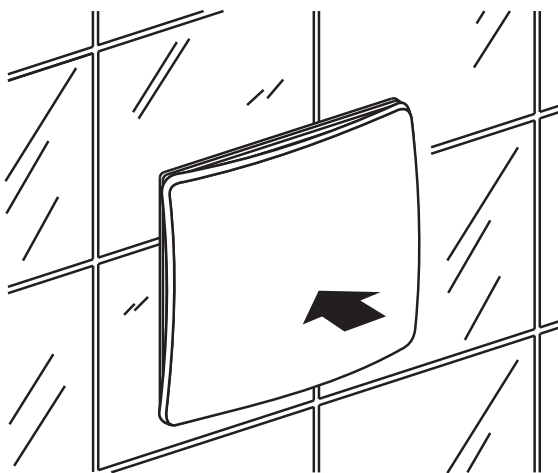
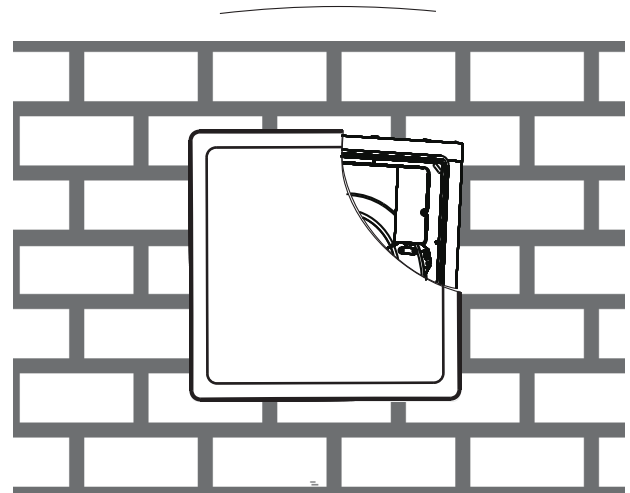


Fig. 46



After mounting of the fan casing and completing the general construction stage

install the ventilation unit inside of the mounted casing:

reinstall the scroll casing inside the casing (fig. 43);

tighten the self-tapping screws to fix the scroll casing (fig. 44)

fix the grille with a screw, install the filter and the front panel (fig. 45);

this grille mounting option provides regulation of the grille rotation angle with respect to the casing to balance mounting inaccuracies if existing (fig. 46).

## VALEO-BF FAN MOUNTING OPTIONS

Fig. 47

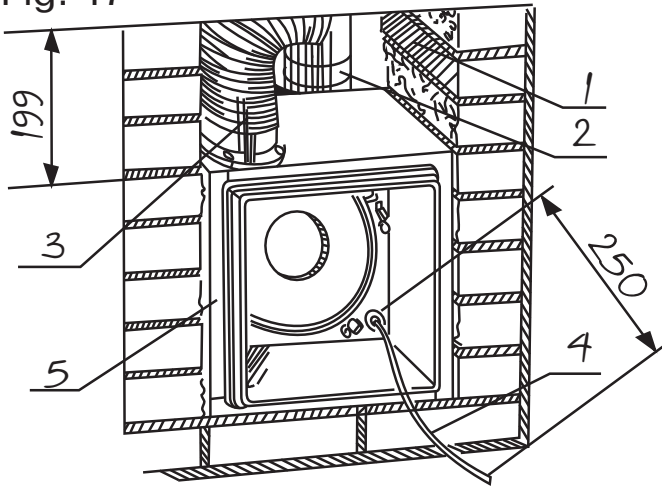


Fig. 48

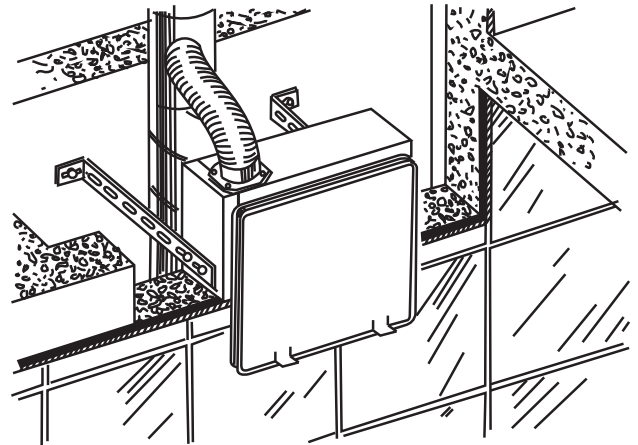


Fig. 49

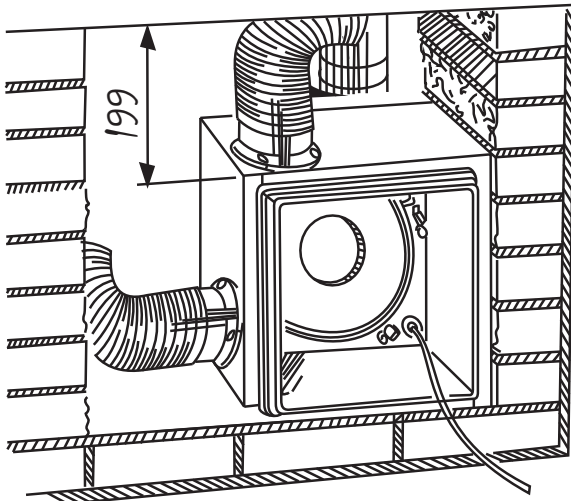
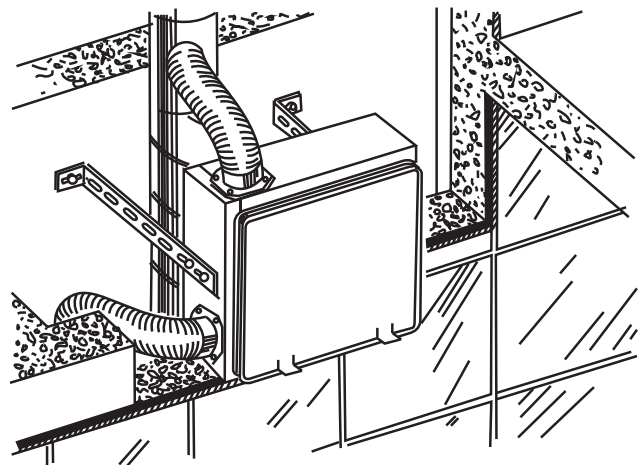


Fig. 50



The fan **Valeo-BF** wall flush mounting examples in assembly with the fire-proof casing is shown in fig. 47-48.

The fan **Valeo-BF (L, R, D)** wall flush mounting examples in assembly with the fire-proof casing is shown in fig. 49-50.

## VALEO-BF FAN MOUNTING SEQUENCE

The fan **Valeo-BF** is mounted in following sequence:

Disassemble the fan **Valeo-BF** following the same sequence as stated for the fan **Valeo-BP** (fig. 33-35).

remove the screws and press the latches to release the scroll casing (fig. 36-37);

Mount the fire-proof casing **BF 80** as shown in fig. 47:

- prepare the recess 1 in the wall adjacent to the ventilation shaft for the fan casing mounting;
- route the assembled air duct 2;
- route the connecting air duct 3 to the assembled air duct;
- route the power cable from a ventilation shaft into the fan casing through a sealed electric lead-in on the back side of the casing. The power cable length from the fan casing must be at least 250 mm.
- prior to mounting of the casing 5 make sure that the fire-retarding spring-loaded backdraft damper of the casing **BF 80** designed for installation inside a recess (fig. 10) is closed with a spring at no air flow.
- mount the casing 5 by installing it inside the construction opening 1 and fix it with mortar. Route the 250 mm long cable through a sealed electric lead-in on the back casing side, fig. 47.

After finishing the mounting of the casing **BF 80** cover it with a protecting plate to prevent the casing internals from soiling and damages during finishing works in the room (fig. 42).

After completion of finishing works remove a protecting plate and complete mounting of the ventilation unit Valeo (fig. 43-45).

The casing 5 may be mounted with mounting brackets (holders) to the wall or to the ceiling (fig. 48).

If the casing **BP 80** or **BF 80** and the ventilation unit Valeo are supplied separately, the disassembling of the fan **Valeo-BP** or **Valeo-BF** is not applicable.

The other mounting sequence steps are identical with described above.

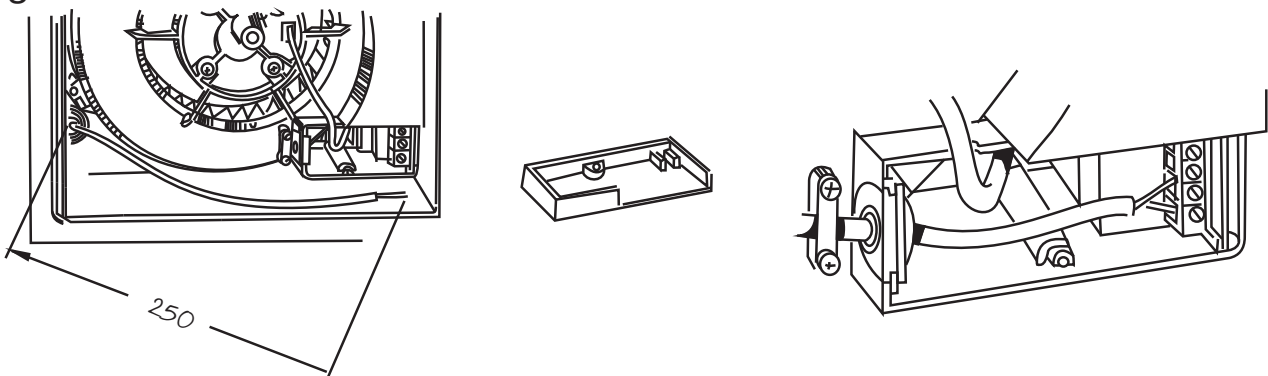
## CONNECTION TO POWER MAINS

The single-phase power grid must comply with the acting local electrical norms and standards. The fixed electrical wiring must be equipped with an automatic switch that is used for connection of the fan to power mains with gap on all poles at least 3 mm. The wiring diagrams and operating logic of the fan are shown in fig. 52-58.

To connect the fan to power mains:

- route the wires through a sealed electric lead-in on the back side of the casing;
- strip the wires for 7-8 mm and connect those to respective terminals against stop and press with screws (fig. 51);
- fix the wires with a retaining clip (fig. 51).

Fig. 51

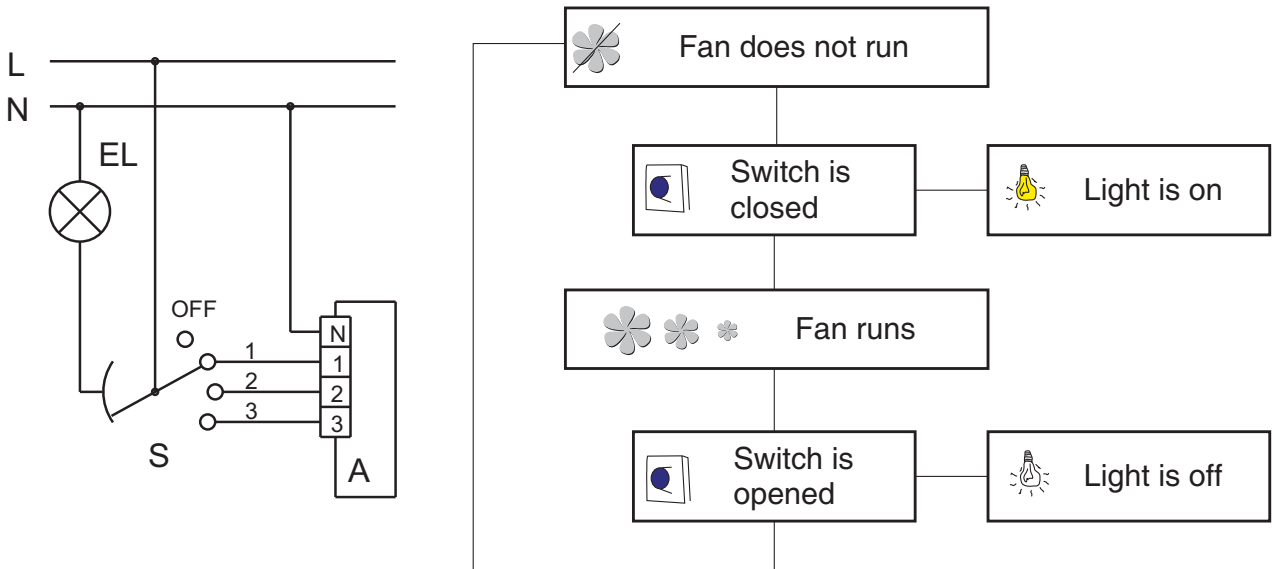


## WIRING DIAGRAMS FOR CONNECTION TO POWER MAINS

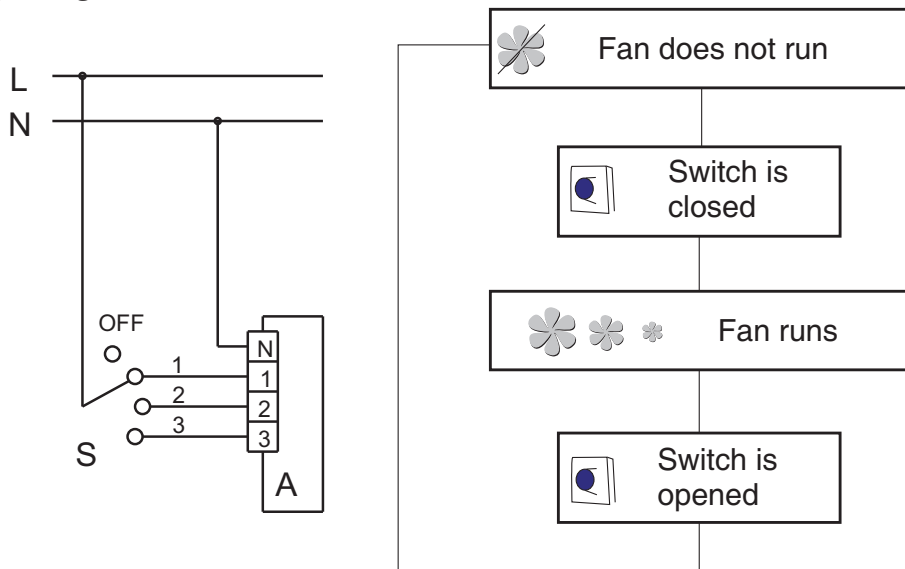
Wiring diagrams for connection of basic three-speed fans  
**60/100/150 Valeo, Valeo-BF, Valeo-BP, Valeo-E and**  
**35/60/100 Valeo, Valeo-BF, Valeo-BP, Valeo-E.**

Fig. 52

wiring diagram 1



wiring diagram 2

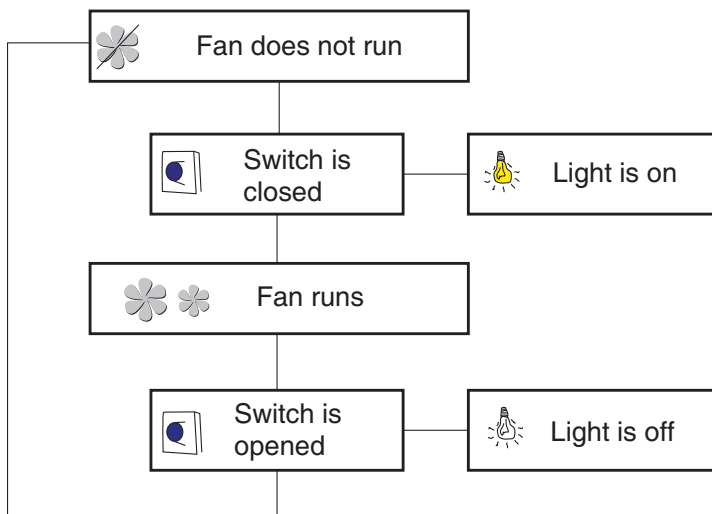
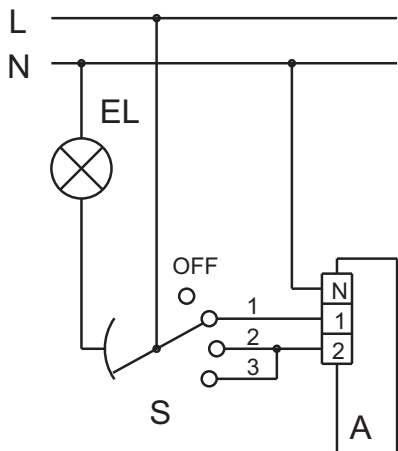


A - fan  
 EL - lamp  
 S - external three-position speed switch CDP3/5

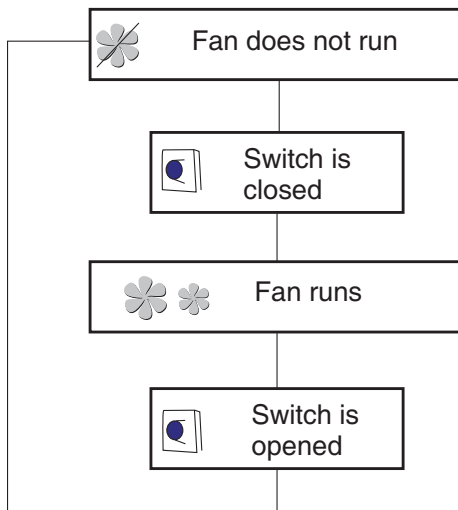
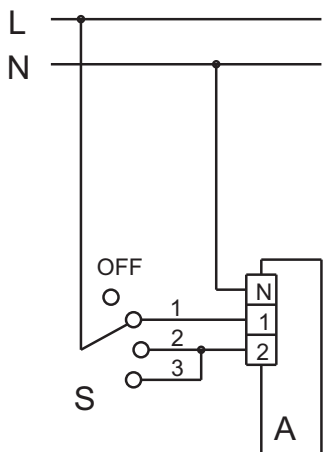


Wiring diagrams for connection of basic two-speed fans  
**35/60 Valeo, Valeo-BF, Valeo-BP, Valeo-E,**  
**35/100 Valeo, Valeo-BF, Valeo-BP, Valeo-E** and  
**60/100 Valeo, Valeo-BF, Valeo-BP, Valeo-E.**

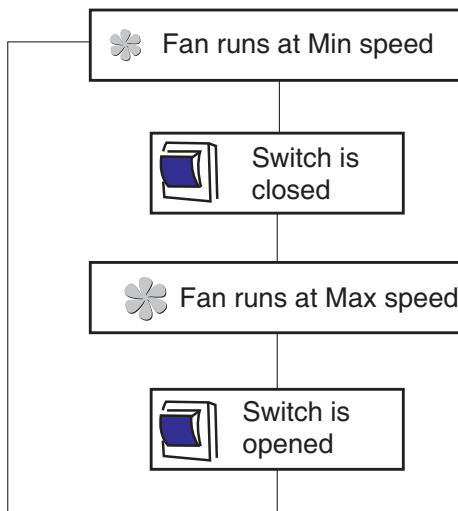
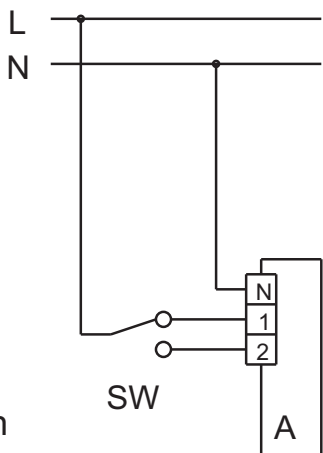
Fig. 53  
 wiring diagram 3



wiring diagram 4



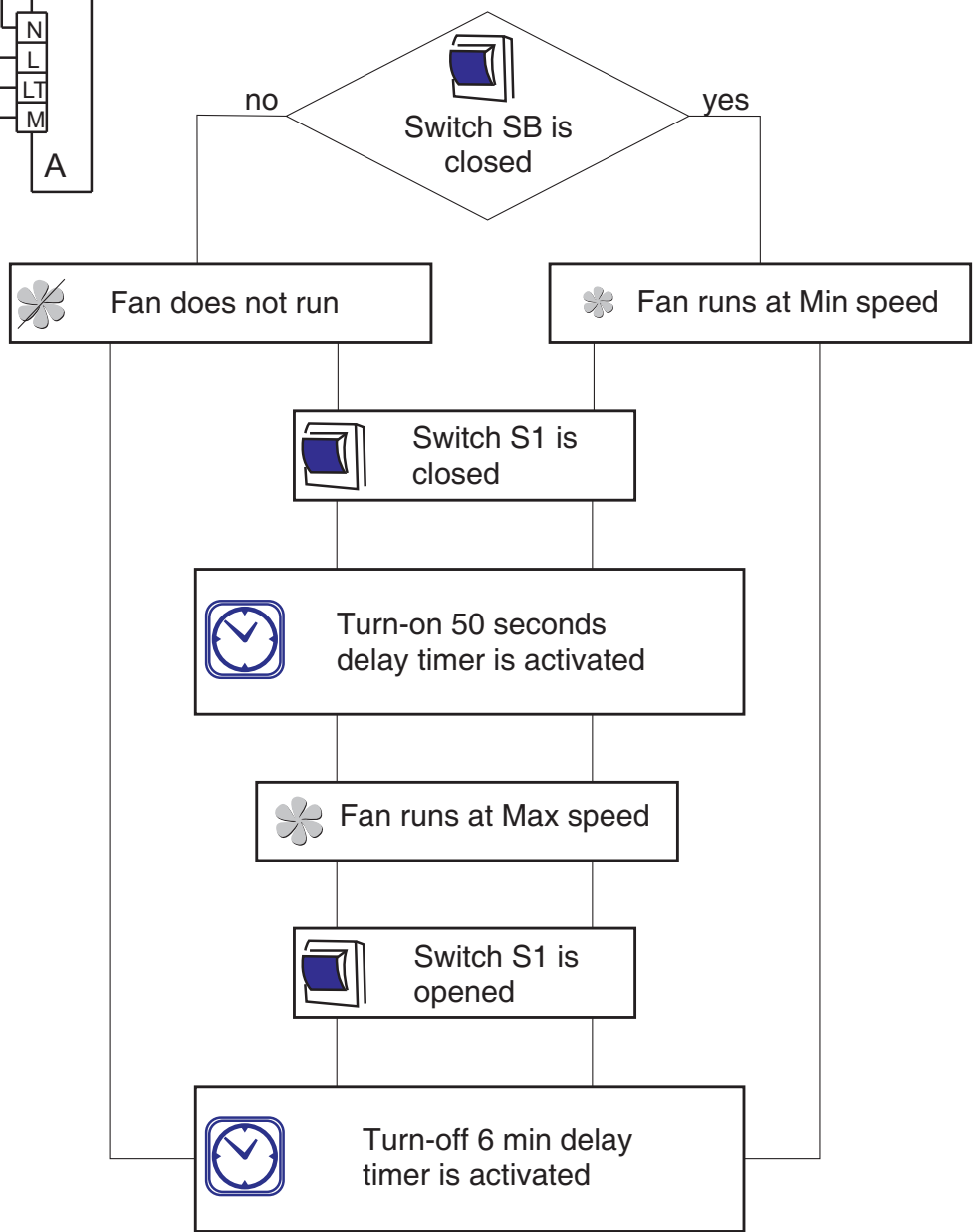
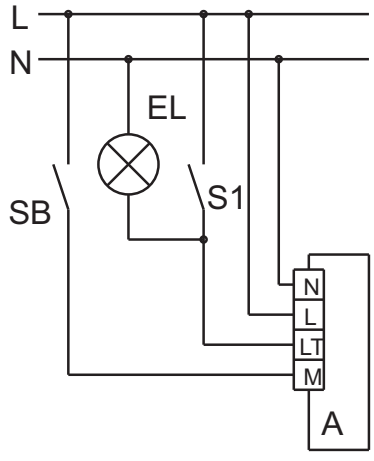
wiring diagram 5



- A - fan
- EL - lamp
- SW - external two-position speed switch
- S - external three-position speed switch CDP3/5

Wiring diagram for connection of two-speed fans  
**35/60 Valeo, Valeo-BF, Valeo-BP, Valeo-E**  
**35/100 Valeo, Valeo-BF, Valeo-BP, Valeo-E** and  
**60/100 Valeo, Valeo-BF, Valeo-BP, Valeo-E** with timer (T).

Fig. 54  
wiring diagram 6

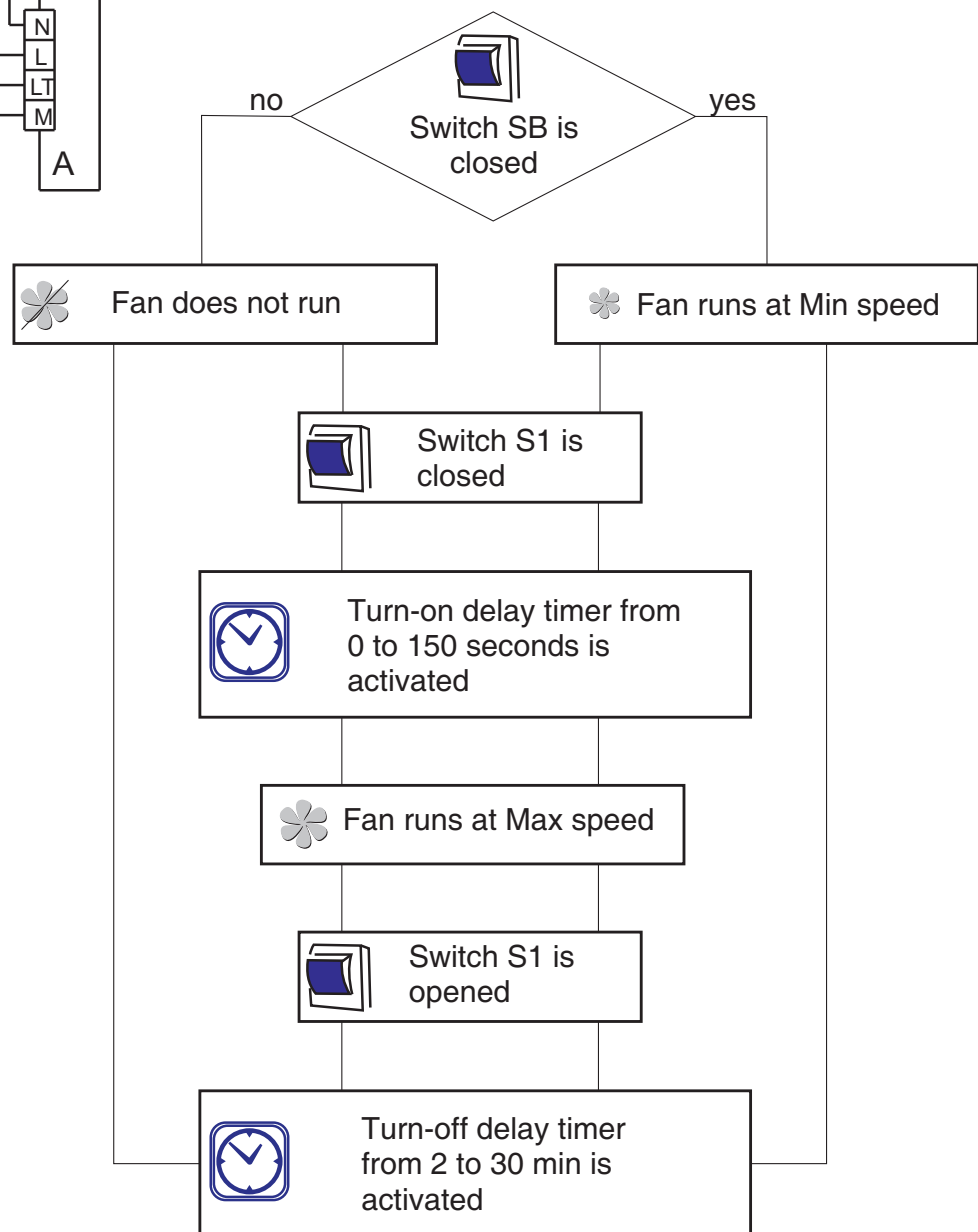
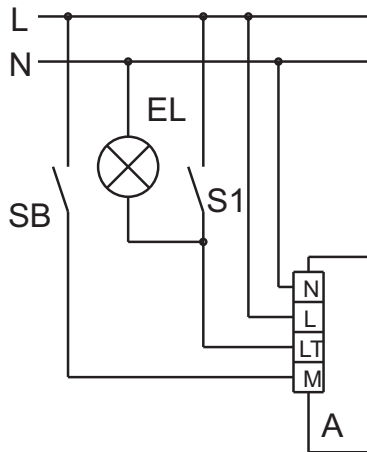


A - fan  
EL - lamp  
S1 - light switch  
SB - fan switch



Wiring diagram for connection of two-speed fans  
**35/60 Valeo, Valeo-BF, Valeo-BP, Valeo-E**  
**35/100 Valeo, Valeo-BF, Valeo-BP, Valeo-E** and  
**60/100 Valeo, Valeo-BF, Valeo-BP, Valeo-E** with regulated timer (TR).

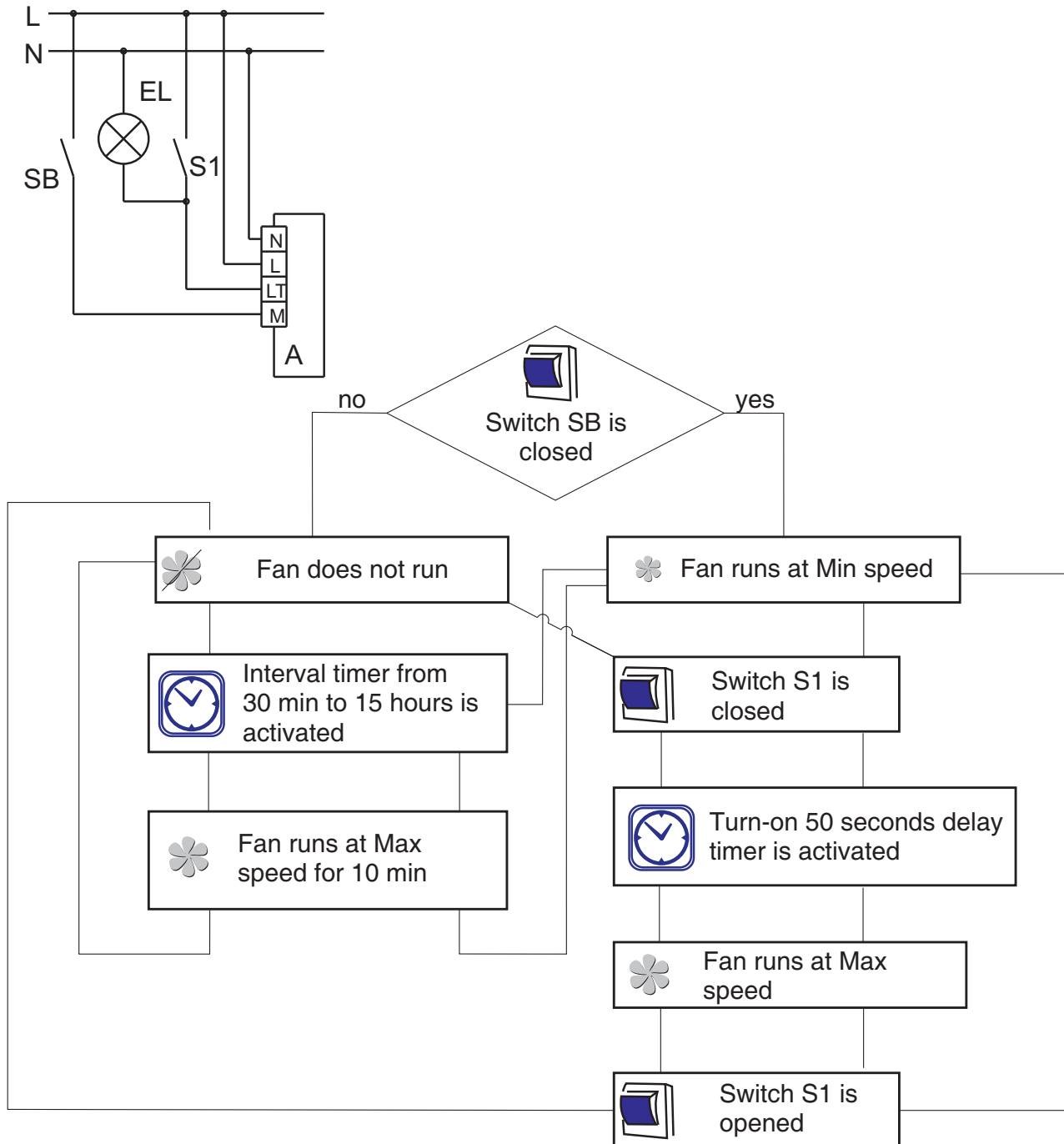
Fig. 55  
wiring diagram 7



A - fan  
EL - lamp  
S1 - light switch  
SB - fan switch

Wiring diagram for connection of two-speed fans  
**35/60 Valeo, Valeo-BF, Valeo-BP, Valeo-E**  
**35/100 Valeo, Valeo-BF, Valeo-BP, Valeo-E** and  
**60/100 Valeo, Valeo-BF, Valeo-BP, Valeo-E** with interval switch (I).

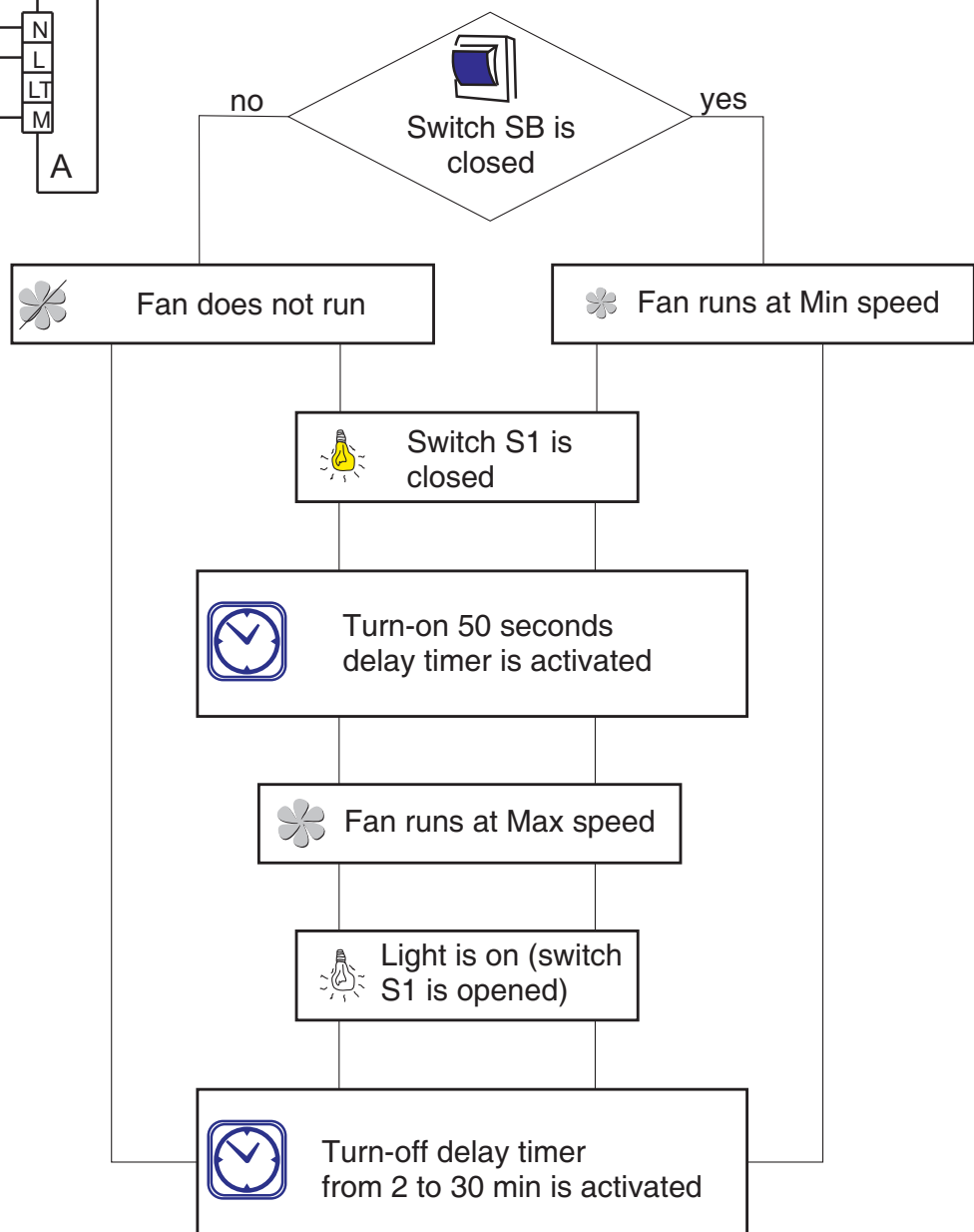
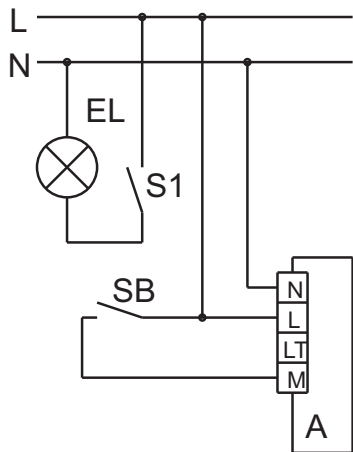
Fig. 56  
wiring diagram 8



A - fan  
EL - lamp  
S1 - light switch  
SB - fan switch

Wiring diagram for connection of two-speed fans  
**35/60 Valeo, Valeo-BF, Valeo-BP, Valeo-E**  
**35/100 Valeo, Valeo-BF, Valeo-BP, Valeo-E** and  
**60/100 Valeo, Valeo-BF, Valeo-BP, Valeo-E** with photoelectronics (F).

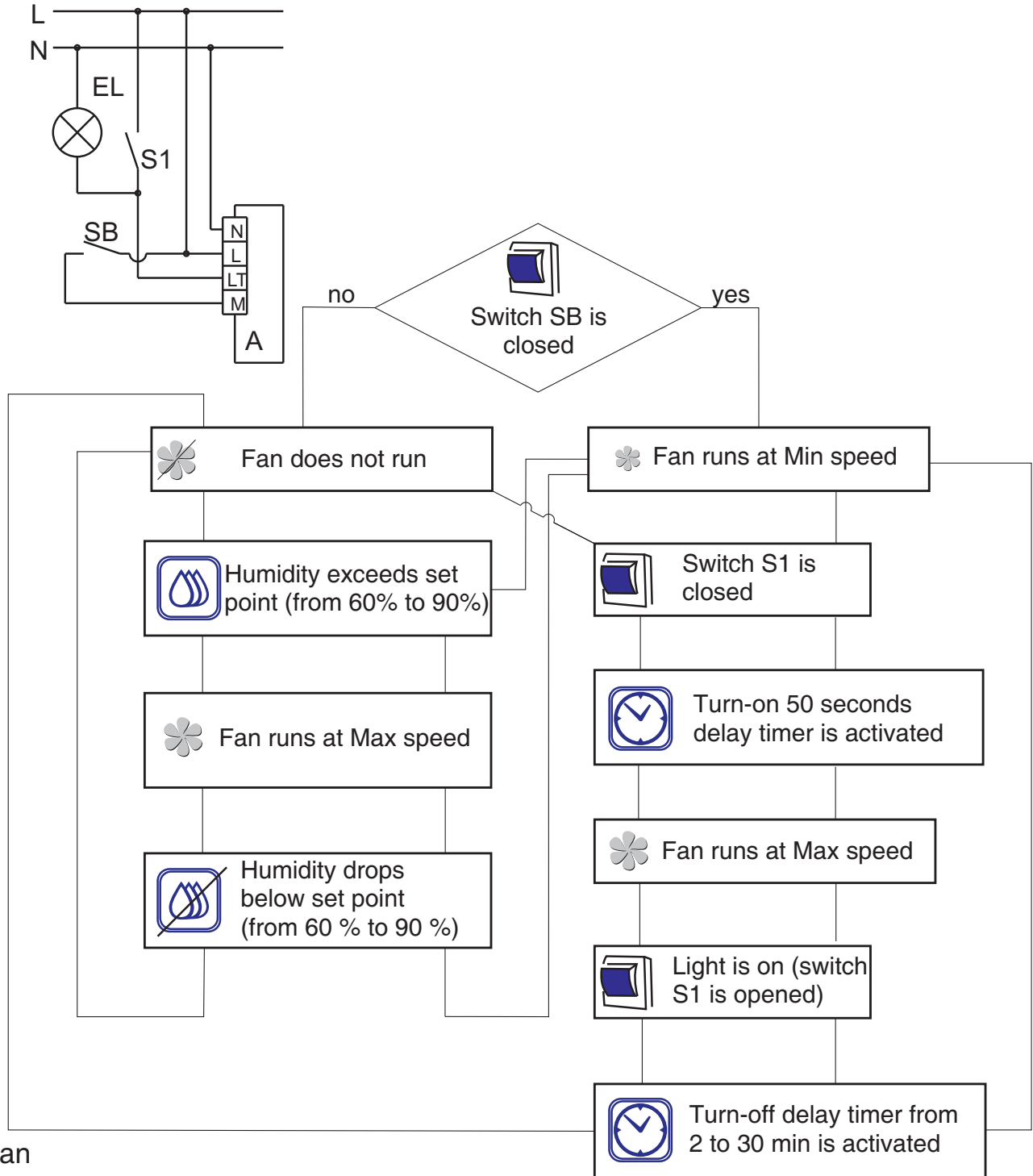
Fig. 57  
 wiring diagram 9



A - fan  
 EL - lamp  
 S1 - light switch  
 SB - fan switch

Wiring diagram for connection of two-speed fans  
**35/60 Valeo, Valeo-BF, Valeo-BP, Valeo-E**  
**35/100 Valeo, Valeo-BF, Valeo-BP, Valeo-E** and  
**60/100 Valeo, Valeo-BF, Valeo-BP, Valeo-E** with humidity sensor (H).

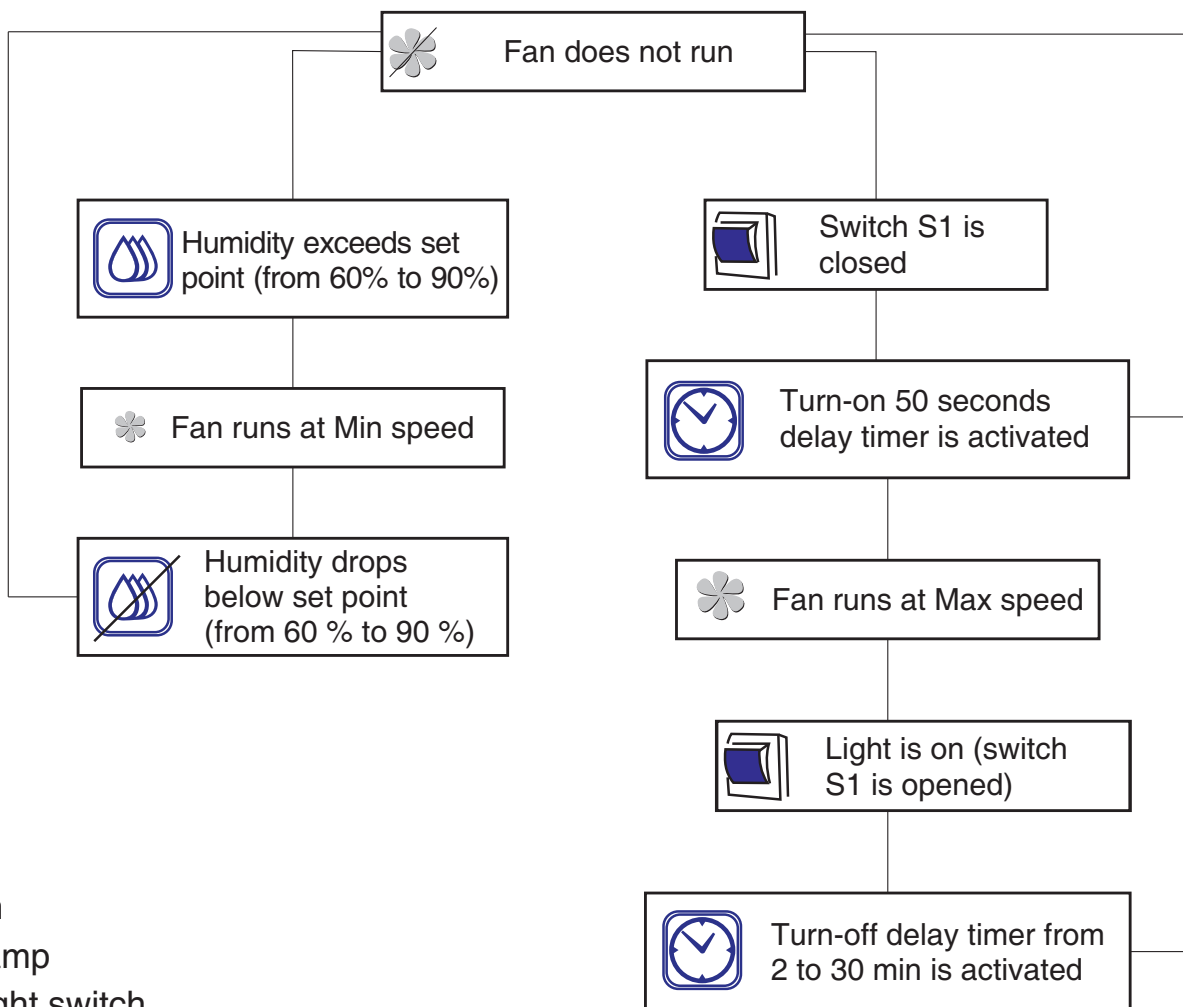
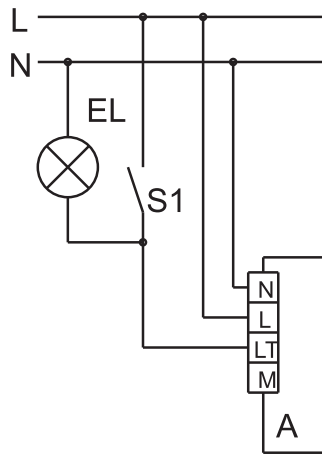
Fig. 58  
 wiring diagram 10



A - fan  
 EL - lamp  
 S1 - light switch  
 SB - fan switch

Wiring diagram for connection of two-speed fans  
**35/60 Valeo, Valeo-BF, Valeo-BP, Valeo-E**  
**35/100 Valeo, Valeo-BF, Valeo-BP, Valeo-E** and  
**60/100 Valeo, Valeo-BF, Valeo-BP, Valeo-E** with humidity sensor (H1).

Fig. 58.1  
 wiring diagram 10.1



A - fan  
 EL - lamp  
 S1 - light switch

## MAINTENANCE

Maintenance means regular cleaning of the fan surfaces from dirt and dust as well as adjustment of the timer, humidity or the light sensor set points.

To replace the filter in the fans **Valeo-E**, **Valeo-BP** and **Valeo-BF**:

- disconnect the fan from power mains (fig. 59);
- remove the front panel (fig. 23);
- remove the filter (fig. 24);
- replace the filter;
- re-install the front panel back and connect the fan to power mains.

Replace the filter as often as required but at least once in 6 months.

To clean the fan:

- disconnect the fan from power mains (fig. 59);
- remove the cover (fig. 23-25 or 33-35);
- remove the screws and press the latches to release the scroll casing (fig. 60);
- turn the scroll casing by 180° for accessing the impeller and remove dust with a soft dry brush or compressed air (fig. 61);
- assemble the fan in the reverse order and connect it to power mains.

The impeller blades require thorough cleaning once in 6 months.

Fig. 59

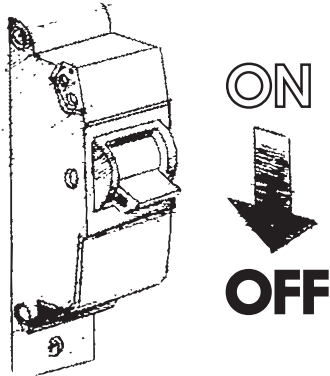


Fig. 60

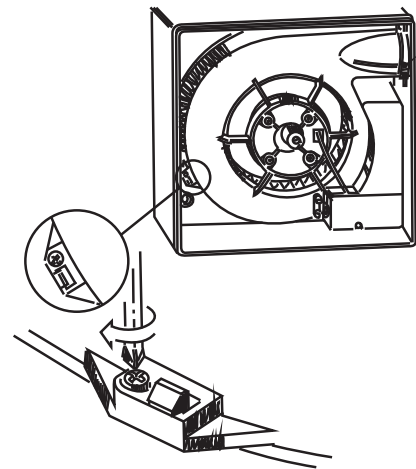
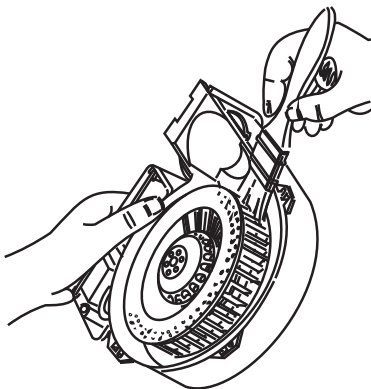


Fig. 61



## ELECTRONICS ADJUSTMENT

You can adjust the timer and humidity sensor set points.

Follow the adjustment procedure:

1. Disconnect the fan from power mains (fig. 59);
2. Remove the front panel and cover (fig. 23-25 or 33-35);
3. Adjust the fan electronics (fig. 62-64)

### 3.1. For TR modification:

- to adjust the turn-off delay timer set point (from 2 to 30 minutes) rotate the potentiometer T clockwise to increase the turn-off delay time and counter-clockwise to decrease it.
- to adjust the turn-on delay timer set point (from 0 to 150 seconds) rotate the potentiometer T1 clockwise to increase turn-on delay time and counter-clockwise to decrease it.

### 3.2. For I modification:

- to adjust the interval timer set point (from 30 minutes to 15 hours) rotate the potentiometer T clockwise to increase the turn-off delay time and counter-clockwise to decrease it.

### 3.3. For F modification:

- to adjust the turn-off delay timer set point (from 2 to 30 minutes) rotate the potentiometer T clockwise to increase the turn-off delay time and counter-clockwise to decrease it.

### 3.4. For H modification:

- to adjust the turn-off delay timer set point (from 2 to 30 minutes) rotate the potentiometer T clockwise to increase the turn-off delay time and counter-clockwise to decrease it.
  - to adjust the humidity set point rotate the potentiometer H clockwise to increase the humidity sensor set point and counter-clockwise to decrease it.
4. Install the grille, tighten the screw and install the front panel;
  5. Connect the fan to power mains.

### **Warning!**

*The electronic circuit board is under mains voltage!*

*Disconnect the fan from power mains prior to any adjustment operations.*

*The fan delivery set includes a specially designed plastic screwdriver for fan settings adjustments.*

*Use the screwdriver to alter the turn-off delay time or the humidity threshold (fig. 65).*

*Do not use a screwdriver, knife, etc. for adjustment operations not to damage the circuit board.*

Fig. 62

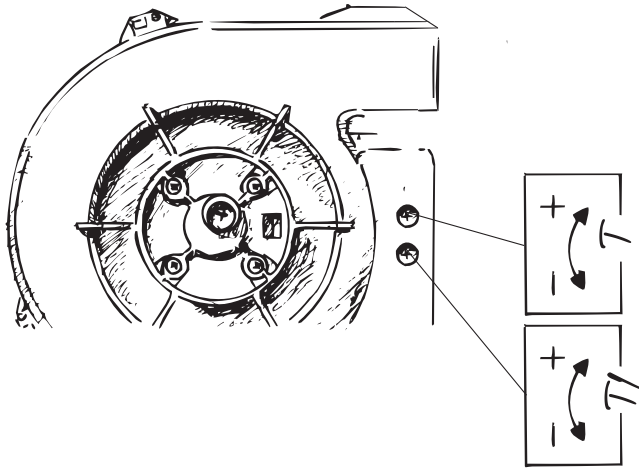


Fig. 63

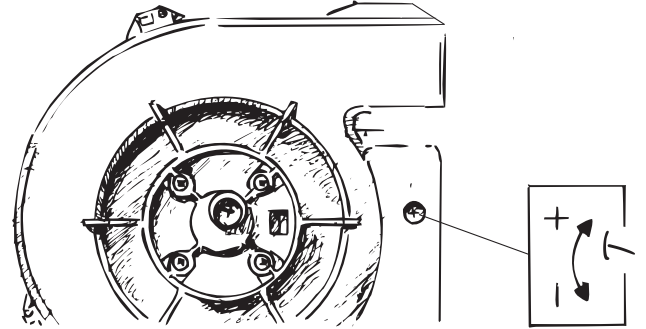


Fig. 64

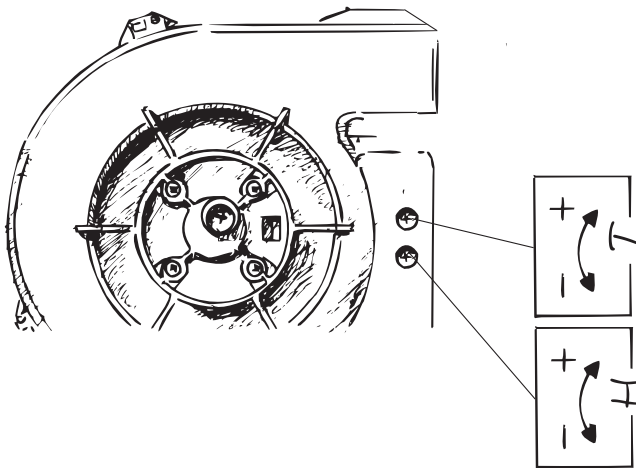
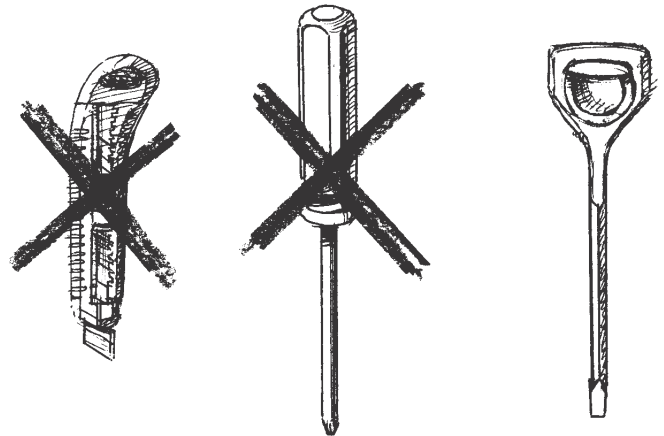


Fig. 65



TR modification (fig. 62):

T1 - turn-on time delay adjustment from 0 to 150 seconds;

T - turn-off time delay adjustment from 2 to 30 minutes.

I modification (fig. 63):

T - interval timer adjustment from 30 min to 15 hour.

F modification (fig. 63):

T - turn-off time delay adjustment from 2 to 30 minutes.

H/H1 modification (fig. 64):

T - turn-off time delay adjustment from 2 to 30 minutes.

H - humidity sensor set point adjustment from 60 % to 90 %.



## STORAGE AND TRANSPORTATION RULES

Transportation is allowed by any transportation vehicle provided that the product is in the manufacturer's original package.

Store the delivered product in the manufacturer's original packing box in a dry ventilated premise with the ambient temperature from +5 °C up to + 40 °C and relative humidity less than 80 %.

The storage environment must be free of dust, acid or alkali vapours to prevent corrosion.

## DISPOSAL

Do not dispose in domestic waste. The unit contains in part material that can be recycled and in part substances that should not end up as domestic waste.

Dispose of the unit once it has reached the end of its working life according to the regulations valid where you are.

## MANUFACTURER'S WARRANTY

The fan complies with the requirements according to the EU norms and directives, to the relevant EU-Low Voltage Equipment Directives, EU-Directives on Electromagnetic Compatibility.

We hereby declare that the following product complies with the essential protection requirements of Electromagnetic Council Directive 2004/108/EC, 89/336/EEC and Low Voltage Directive 2006/95/EC, 73/23/EEC and CE-marking Directive 93/68/EEC on the approximation of the laws of the Member States relating to electromagnetic compatibility. This certificate is issued following test carried out on samples of the product referred to above. Assessment of compliance of the product with the requirements relating to electromagnetic compatibility was based on the following standards.

Protection degree index according to IP rating against access to hazardous parts and water ingress - IP 55. The fan does not require grounding.

The manufacturer hereby warrants normal operation of the fan over the period of five years from the retail sale date provided observance of the installation and operation regulations.

In case of failure due to faulty equipment during the warranty period the consumer has the right to exchange it.

If case of no confirmation of the sale date, the warranty term shall be calculated from the manufacturing date. The replacement is offered by the Seller.

### **Warning!**

The MANUFACTURER shall not be liable for any damage resulting from any misuse of or gross mechanic interference with the fan.



---

---

---

---

---

---

---

---

---

---

---

---

---

---

---

---

---

---

---

---

---

---

---

---

---







Fan is recognized  
as serviceable.

Valeo

BP

BF

E

Plastic casing BP 80

Fireproof casing BF 80

I

F

H

H1

T

TR

SALES DATE

MANUFACTURING DATE

SELLER

APPROVAL MARK

