

# TS E10

## Room thermostat

### Use

- For comfortable indoor temperature conditions and control of ventilation, heating and air conditioning systems.



### Design

- Casing made of high-quality plastic.
- Temperature regulator on front panel and switch for operation mode selection on side panel.
- Supplied in casing for wall mounting.
- IP40 ingress protection rating.

### Speed control

- Temperature regulation range from +10 up to +30 °C.
- The regulator has two operating patterns:
  - the contacts close when a temperature set point is reached and the fan turns on;
  - the contacts open when a temperature set point is reached and the fan turns off.

### Mounting

- Indoor wall surface installation in mounting box.
- Recommended installation height is 1.5 m above the floor level.
- Do not install the regulator close to windows, heating or cooling equipment.

### Wiring diagram

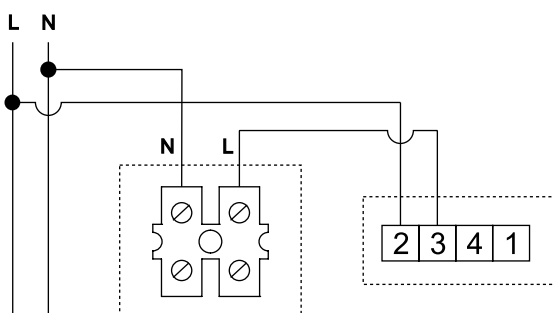


Fig. 1. The fan operates until the temperature threshold set by the thermostat is reached.

### Technical data

Parameters	TS E10
Voltage [V]	1 ~ 230
Frequency [Hz]	50/60
Rated current per Fig. 1 [A]	10 A
Rated current per Fig. 2 [A]	6 A
Overall dimensions WxHxD [mm]	84x84x35
Maximum ambient temperature [°C]	+40
IP rating	IP40
Hysteresis [°C]	0.5...1.0

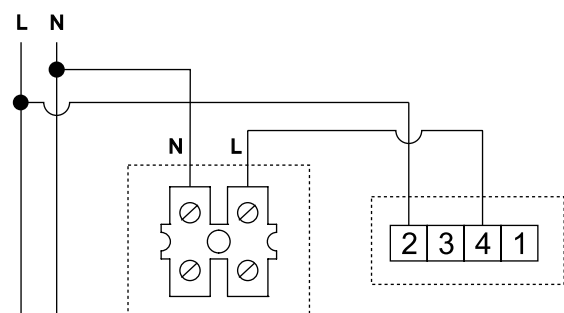


Fig. 2. The fan turns on when the temperature threshold set by the thermostat is reached.