

# Tower-AM

## Roof centrifugal fans

### Use

- Extract ventilation systems installed in various premises.
- Roof mounting.
- For any types of roofs or vertical ventilation shafts.
- Compatible with  $\varnothing$  150 up to 315 mm round air ducts.



**Air flow:**  
up to 1880 m<sup>3</sup>/h  
522 l/s



**Power:**  
from 98 W



**Noise level:**  
from 47 dBA



### Design

- Steel casing with a special polymer atmospheric resistant coating.
- Horizontal air exhaust.
- The fan is rated for continuous operation.
- A connecting plate is designed to facilitate the fan mounting to the roof surface.

### Motor

- Single-phase external rotor motor and centrifugal impeller with backward curved blades.
- Dynamically balanced impeller.
- Equipped with ball bearings for longer service life.
- Overheating protection with built-in thermal switches with automatic restart.

### Speed control

- Step speed control with an external auto transformer (available upon separate order).

### Mounting

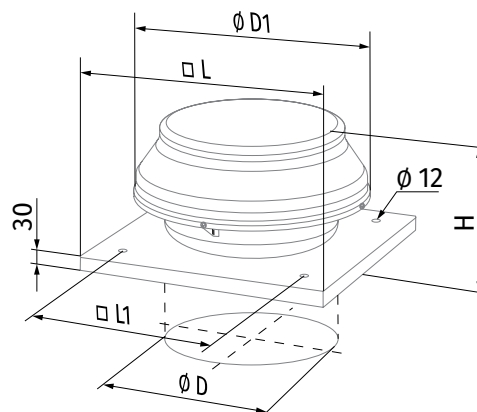
- Roof mounting directly above a ventilation shaft or air duct.
- The fan is connected to the air duct with the intake flange that is fixed to the fan base.
- The fan base is perforated for fixing bolts that attach the fan to a stable level surface or a roof frame.
- Roof frame, intake flange and fixing bolts are available on separate order.
- Power is supplied through an external terminal box.

#### Designation key

| Series   | Spigot diameter [mm] |
|----------|----------------------|
| Tower-AM | 150; 200; 250; 315   |

### Overall dimensions [mm]

| Type         | $\varnothing$ D | $\varnothing$ D1 | H   | L   | L1  | Weight [kg] |
|--------------|-----------------|------------------|-----|-----|-----|-------------|
| Tower-AM 150 | 149             | 400              | 230 | 440 | 330 | 7.2         |
| Tower-AM 200 | 198             | 400              | 250 | 440 | 330 | 8.1         |
| Tower-AM 250 | 248             | 400              | 249 | 590 | 450 | 10.1        |
| Tower-AM 315 | 315             | 550              | 339 | 590 | 450 | 12.3        |



#### Accessories

##### Silencers



SD

##### Backdraft air dampers



VRV

##### Air dampers



VK / VKA

##### Speed controllers



CDT1 E



CDT E1.8

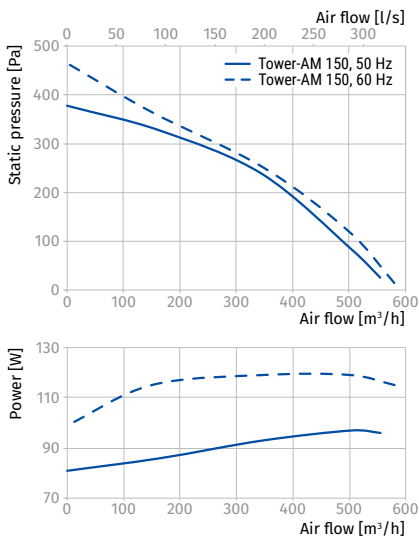


CDTE E... TP

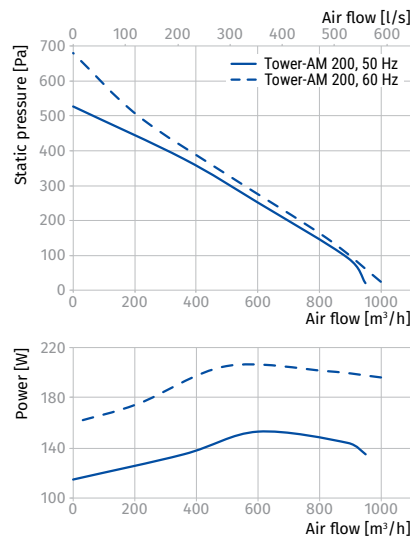
### Technical data

| Parameters                            | Tower-AM 150 |           | Tower-AM 200 |            | Tower-AM 250 |            | Tower-AM 315 | Tower-AM 315 (220V/60Hz) |
|---------------------------------------|--------------|-----------|--------------|------------|--------------|------------|--------------|--------------------------|
| Voltage [V]                           | 1 ~ 230      |           | 1 ~ 230      |            | 1 ~ 230      |            | 1 ~ 230      | 1 ~ 230                  |
| Frequency [Hz]                        | 50           | 60        | 50           | 60         | 50           | 60         | 50           | 60                       |
| Power [W]                             | 98           | 119       | 154          | 205        | 194          | 240        | 296          | 285                      |
| Current [A]                           | 0.43         | 0.52      | 0.67         | 0.9        | 0.85         | 1.05       | 1.34         | 1.23                     |
| Maximum air flow [m³/h (l/s)]         | 555 (154)    | 580 (161) | 950 (264)    | 1000 (278) | 1310 (364)   | 1340 (372) | 1880 (522)   | 1655 (460)               |
| RPM [min⁻¹]                           | 2705         | 2855      | 2375         | 2510       | 2790         | 2860       | 2720         | 3024                     |
| Sound pressure at 3 m [dBA]           | 47           | 48        | 48           | 50         | 52           | 53         | 54           | 56                       |
| Max. transported air temperature [°C] | -25...+55    | -25...+50 | -25...+50    | -25...+50  | -25...+50    | -25...+50  | -25...+45    | -25...+50                |
| SEC class                             | B            |           | B            |            | -            |            | -            | -                        |
| IP rating                             | IPX4         |           | IPX4         |            | IPX4         |            | IPX4         | IPX4                     |
| Motor IP rating                       | IP44         |           | IP44         |            | IP44         |            | IP44         | IP44                     |
| ErP                                   | 2018         |           | 2018         |            | 2018         |            | 2018         | -                        |

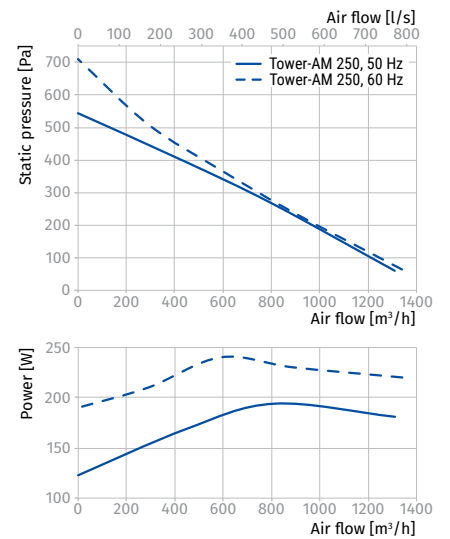
#### TOWER-AM 150



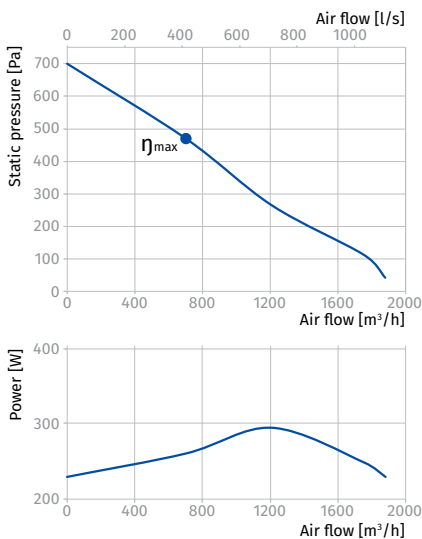
#### TOWER-AM 200



#### TOWER-AM 250



#### TOWER-AM 315



#### TOWER-AM 315 (220V/60HZ)

