

Tower-A

Roof axial fans

Use

- Extract ventilation systems installed in various premises.
- Roof mounting.
- For any types of roofs or vertical ventilation shafts.



Air flow:
up to 2650 m³/h
736 l/s



Power:
from 50 W



Noise level:
from 50 dBA



Design

- Steel casing and impeller with a special polymer atmospheric resistant coating.
- Horizontal air exhaust.
- The fan is equipped with a terminal block for connection to power mains.
- The fan is rated for continuous operation.
- A connecting plate with an intake opening is designed to facilitate mounting to the roof surface.

Motor

- Two- or four-pole asynchronous motor with external rotor and axial impeller.
- Single-phase (E) motor modification.
- Equipped with ball bearings for longer service life.
- Overheating protection by built-in thermal switches with automatic restart.

Speed control

- Smooth speed control with an external thyristor controller or step speed control with an external auto transformer (both available upon separate order).

Mounting

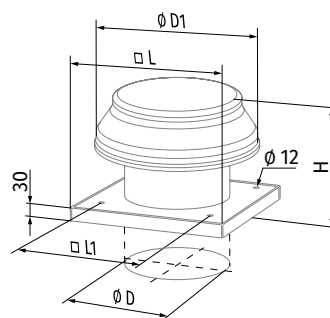
- Roof mounting directly above a ventilation shaft or air duct.
- The fan is connected to the air duct with the intake flange that is fixed to the fan base.
- The fan base has holes for fixing bolts that attach the fan to a stable level surface or a roof frame.
- Roof frame and intake flange available on separate order.
- Power is supplied through an external terminal box.

Designation key

Series	Spigot diameter [mm]	Motor Number of poles	Phase	Casing material
Tower-A	200; 250; 300; 350	2; 4	E: single-phase	┘: polymer coated steel A: aluminum

Overall dimensions [mm]

Type	∅ D	∅ D1	H	L	L1	Weight [kg]
Tower-A 200 2E	208	345	280	425	330	5.0
Tower-A 250 2E	262	405	280	425	330	7.0
Tower-A 250 4E	262	405	280	425	330	7.0
Tower-A 300 2E	314	555	340	585	450	10.5
Tower-A 300 4E	314	555	340	585	450	10.5
Tower-A 350 4E	364	555	350	655	535	12.0

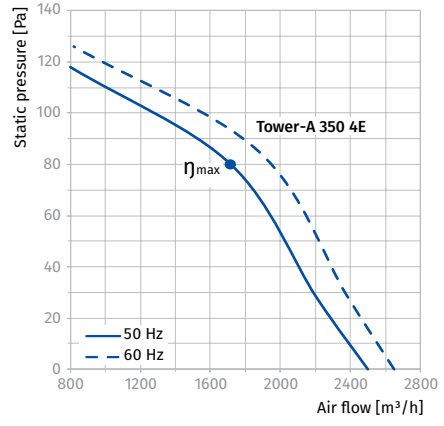
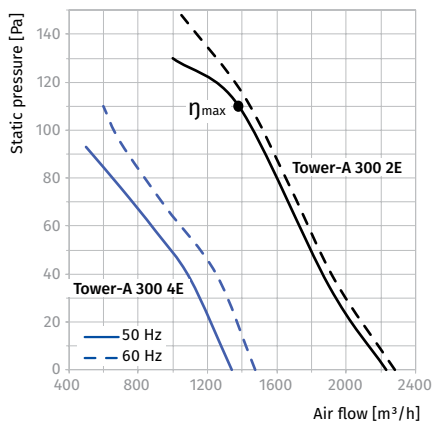
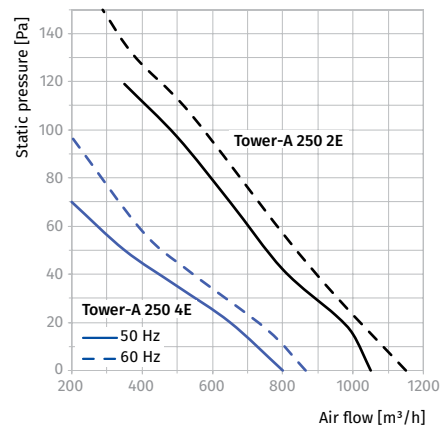
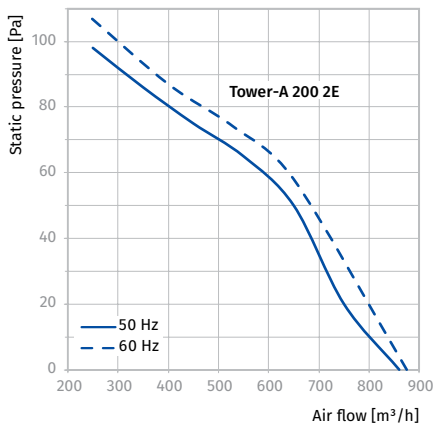


Accessories

Mounting frames	Silencers	Backdraft air dampers	Air dampers	Speed controllers
 MRDL / MRDL	 SD	 VRV	 VK / VKA	 CDT E1.8

Technical data

Parameters	Tower-A 200 2E		Tower-A 250 2E		Tower-A 250 4E		Tower-A 300 2E		Tower-A 300 4E		Tower-A 350 4E	
Voltage [V]	1 ~ 230		1 ~ 230		1 ~ 230		1 ~ 230		1 ~ 230		1 ~ 230	
Frequency [Hz]	50	60	50	60	50	60	50	60	50	60	50	60
Power [W]	55	61	80	91	50	56	145	178	75	92	140	147
Current [A]	0.26	0.28	0.4	0.42	0.22	0.24	0.66	0.79	0.35	0.4	0.65	0.66
Maximum air flow [m³/h (l/s)]	860 (239)	875 (243)	1050 (292)	1150 (319)	800 (222)	865 (240)	2230 (619)	2280 (633)	1340 (372)	1475 (410)	2500 (695)	2650 (736)
RPM [min⁻¹]	2300	2550	2400	2990	1380	1730	2300	2410	1350	1405	1380	1700
Sound pressure at 3 m [dBA]	50	51	60	61	55	56	60	61	58	59	62	63
Transported air temperature [°C]	-30...+60	-30...+50	-30...+60	-30...+50	-30...+60	-30...+50	-30...+60	-30...+50	-30...+60	-30...+50	-30...+60	-30...+50
SEC class	-		-		-		-		B		-	
IP rating	IP24		IP24		IP24		IP24		IP24		IP24	
Motor IP rating	IP44		IP44		IP44		IP44		IP44		IP44	
ErP	-		-		-		2018		2018		2018	



ROOF FANS