



# *Sileo V2*

*OPERATION MANUAL*

EN



**BLAUBERG**  
*Ventilatoren*



## **WARNING**

**Follow the user's manual requirements to ensure durable and trouble-free operation of the fan.**

Disconnect the fan from power supply prior to any connection, servicing and repair operations.

Only duly qualified electricians with valid electrical permit for electric operations at the units with operating voltage up to 1000 V are allowed for mounting and maintenance after careful study of the present user's manual.

The single-phase power mains must comply with the acting local electrical norms and standards.

The fixed electrical wiring must be equipped with an automatic circuit breaker.

The fan must be connected to power mains through an automatic circuit breaker QF integrated into the fixed wiring system with the gap between the breaker contacts on all poles not less than 3 mm. Check the fan for any visible damages of the impeller and the casing before starting installation.

The casing internals must be free of any foreign objects which can damage the impeller blades.

Due to constant improvements the design of some models may slightly differ from those ones described herein.

**Follow the user's manual requirements to ensure durable and trouble-free operation of the fan.**



While mounting the fan do not compress the casing!

Deformation of the casing may result in the motor jam and noisy operation.

Misuse of the fan and any unauthorised modifications are not allowed.

Take steps to prevent ingress of smoke, carbon monoxide and other combustion products into the room through open chimney flues or other fire-protection devices.

Sufficient air supply must be provided for proper combustion and exhaust of gases through the chimney of fuel burning equipment to prevent back drafting.

Transported air must not contain any dust or other solid impurities, sticky substances or fibrous materials.



## **WARNING**

**Follow the user's manual requirements to ensure durable and trouble-free operation of the fan.**

Do not use the fan in a hazardous or explosive environment containing spirits, gasoline, insecticides, etc.

Do not close or block the fan intake or extract vents in order to ensure the efficient stream.

Do not sit on the fan and do not put objects on it.  
The timer circuit is live.

Disconnect the fan from power supply prior to any adjustment operations.

The fan delivery set includes a specially designed plastic screwdriver for adjustment of the fan parameters.

Use the plastic screwdriver to change the turn-off delay time.

**Follow the user's manual requirements to ensure durable and trouble-free operation of the fan.**



The product is allowed to be used by children aged from 8 years and above and persons with reduced physical, sensory or mental capabilities or lack of experience and knowledge provided that they have been given supervision or instruction regarding a safe use of the product and understand the risks involved.

Do not allow children play with the product.

Fan cleaning and maintenance must only be performed by children under adult supervision.



***The product must be collected separately at the end of service life.***

***Do not dispose of as unsorted municipal waste.***



**Read the user's manual carefully before proceeding with installation works. Compliance with the manual requirements ensures reliable operation and long service life of the product. Keep the user's manual available as long as you use the product. You may need to re-read the information on the product servicing.**

#### **DELIVERY SET**

1. Fan - 1 item
2. Screws and dowels - 4 items
3. Plastic screwdriver (only for the models with a timer) - 1 item
4. User's manual - 1 item
5. Packing box

#### **BRIEF DESCRIPTION**

The products is an axial fan for exhaust ventilation of small to medium-sized premises. The fan is designed for connection to 100 and 125 mm air ducts. The fan is equipped with a two-speed motor. The fan with a back valve to prevent back air flow during the fan standby.

#### **MODIFICATIONS:**

**S:** the fan is equipped with a built-in pull cord switch.  
The operating logic is shown in Fig. 13-15.

**T:** the fan is equipped with a turn-off delay timer and an interval timer.  
The operating logic is shown in Fig. 17.

**H:** the fan is equipped with a turn-off delay timer and a humidity sensor.  
The operating logic is shown in Fig. 18.

#### **OPERATION GUIDELINES**

The fan is rated for connection to AC single-phase 220...240 V / 50 Hz.  
The fan is rated for operation at the ambient air temperature from +1 °C up to +45 °C.  
Ingress protection rating against access to hazardous parts and water ingress is IP 45.  
The fan requires no grounding.

#### **MOUNTING**

The fan is designed for vertical or horizontal installation and connection to a ventilation shaft or a round air duct of a matching diameter, Fig. 2.

Attention!

In case of vertical mounting the fan must be protected against ingress of rainfalls and condensate inside the fan, Fig. 2.  
Fan installation with direct air discharge upwards is not allowed, Fig. 3.

Fan mounting steps are shown in Fig. 4-12.

Wiring options are shown in Fig. 13-18.

Adjustment of the turn-off delay timer, interval timer of humidity sensor settings is shown in Fig. 19.

### **OPERATION INDICATION**

Basic model and model with a switch:

The light indicator glows orange during the fan operation.

The light indicator is off when the fan is off.

#### **T and H models:**

1. The light indicator blinks green once in 5 seconds the fan operates with minimum speed in standby mode.
2. The light indicator blinks green once in a second the turn-on delay time is activated (60 seconds).
3. The light indicator glows red the humidity sensor is activated and the fan runs with the high speed.
4. The light indicator glows green the switch is ON and the fan runs with the high speed.
5. The light indicator blinks green and red once in 1 second the turn-off delay timer is activated.

#### **WARNING !**

If the switch is OFF or the indoor humidity falls below the set point within 60 seconds after activation of the switch or the humidity sensor, the fan continues operation with the low speed.

### **MAINTENANCE**

The fan maintenance periodicity is at least once per 6 months.

Uplift the latches carefully and open the front cover with a flat screwdriver, Fig. 21.

To clean the fan use a soft cloth or a brush wetted in a mild detergent solution, Fig. 22-24.

#### **WARNING!**

Avoid water dripping on the electric components.

Wipe the fan surfaces dry after cleaning.

### **TRANSPORTATION AND STORAGE RULES**

Transportation with any transportation vehicle in the manufacturer's original package.

Store the delivered product in the manufacturer's original packing box in a dry ventilated premise with the temperature from +5 °C up to + 40 °C and relative humidity below 80 %.

The storage environment must not contain dust, acid or alkali vapours that may cause corrosion of the product parts.



## **MANUFACTURER'S WARRANTY**

We hereby declare that the product complies with the essential protection requirements of Electromagnetic Council Directive 2004/108/EC; 89/336/EEC and Low Voltage Directive 2006/95/EC, 73/23/EEC and CE-marking Directive 93/68/EEC on the approximation of the laws of the Member States relating to electromagnetic compatibility.

This certificate is issued following test carried out on samples of the product referred to above. The manufacturer sets forth the warranty period of the fan as 60 months following the sale date via retail network subject to the customer's ensuring compliance with the rules of transportation, storage, mounting and operation.

Should any malfunctions occur in the course of the fan operation through the Manufacturer's fault during the guaranteed period of operation the user is entitled to elimination of faults by the manufacturer by means of warranty repair at the factory free of charge.

The warranty repair shall include work specific to elimination of faults in the fan operation to ensure its intended use by the user within the guaranteed period of operation.

The faults are eliminated by means of replacement or repair of the fan components or a specific part of such fan component.

### **The warranty repair does not include:**

Routine technical maintenance;

Fan installation / dismantling;

Fan setup.

To benefit from warranty repair the user must provide the fan, the user's manual with the purchase date stamp and the payment document certifying the purchase.

The fan model must comply with the one stated in the user's manual.

Contact the Seller for warranty service.

### **The manufacturer's warranty does not apply to the following cases:**

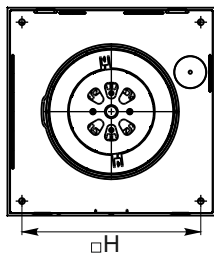
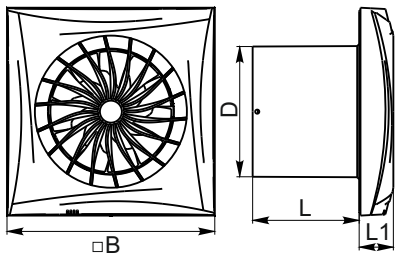
- User's failure to submit the fan with the entire delivery package as stated in the user's manual including submission with missing component parts previously dismounted by the user.
- Mismatch of the fan model and the brand name with the information stated on the fan packing and in the user's manual.
- User's failure to ensure timely technical maintenance of the fan.
- External damage to the fan casing (excluding external modifications as required for installation) and internal components caused by the user.



- Redesign or engineering changes to the fan.
- Replacement and use of any assemblies, parts and components not approved by the manufacturer.
- Fan misuse.
- User's violation of the fan control regulations.
- Fan connection to the power mains with a voltage different from the one stated in the user's manual.
- Fan breakdown due to voltage surges in the power mains.
- Discretionary repair of the fan by the user.
- Fan repair by any persons without the manufacturer's authorization.
- Expiration of the fan warranty period.
- User's violation of the fan transportation regulations.
- User's violation of the fan storage regulations.
- Wrongful actions against the fan committed by third parties.
- Fan breakdown due to circumstances of insuperable force (fire, flood, earthquake, war, hostilities of any kind, blockades).
- Missing seals if provided by the user's manual.
- Failure to submit the user's manual with the fan purchase date stamp.
- Missing payment document certifying the fan purchase.

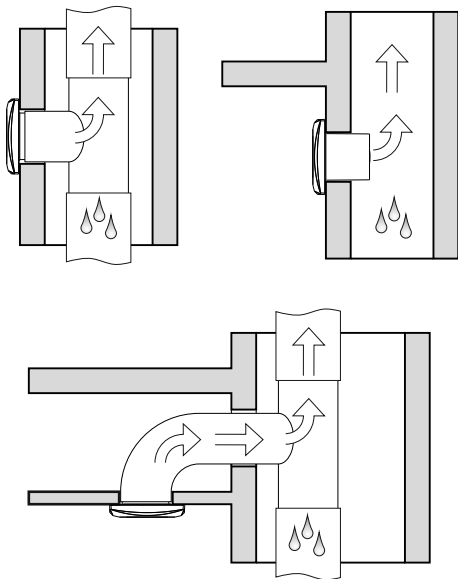
**FOLLOWING THE REGULATIONS STIPULATED HEREIN WILL ENSURE A LONG AND TROUBLE-FREE OPERATION OF THE FAN.**

**USERS' WARRANTY CLAIMS SHALL BE SUBJECT TO REVIEW ONLY UPON PRESENTATION OF THE FAN, THE PAYMENT DOCUMENT AND THE USER'S MANUAL WITH THE PURCHASE DATE STAMP.**

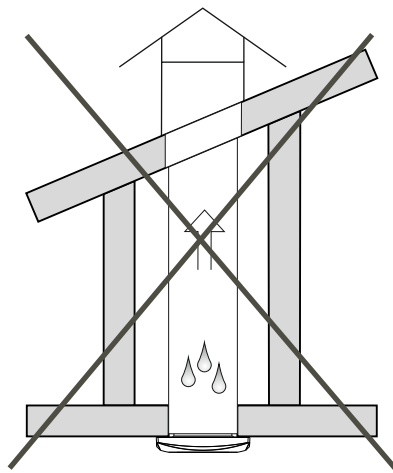


	Sileo V2 100	Sileo V2 125
D, mm	99	124
B, mm	158	182
H, mm	136	158
L, mm	81	91
L1, mm	26	27

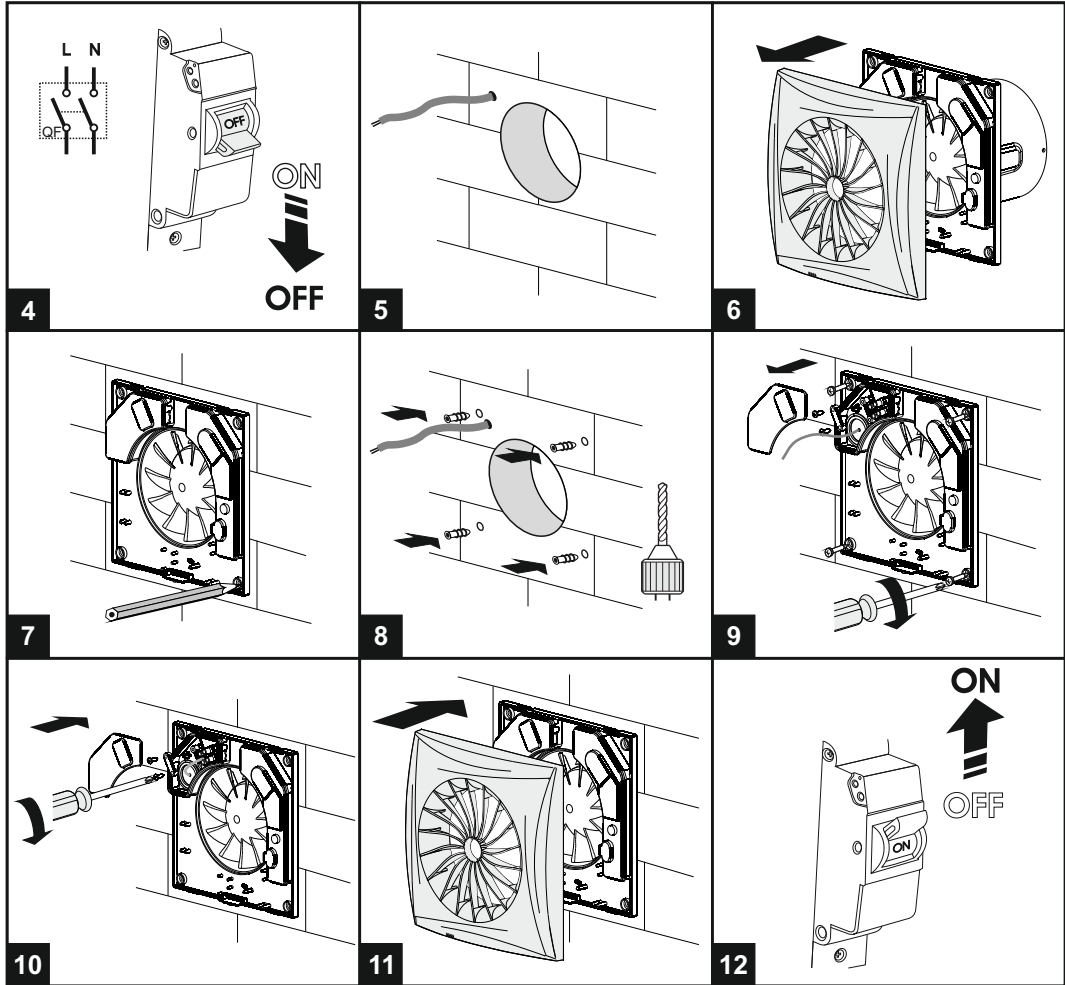
1



2

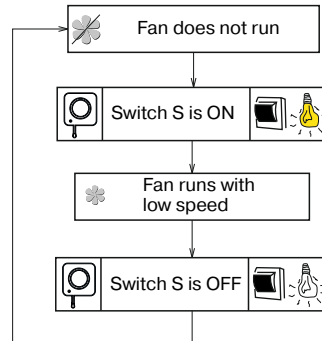
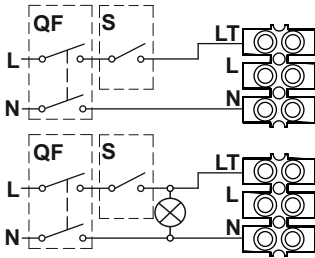


3



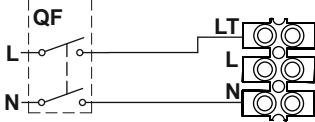
Sileo V2 100/125 (low speed)

Low speed



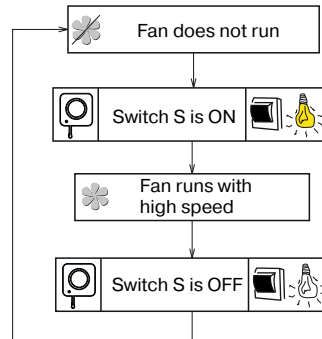
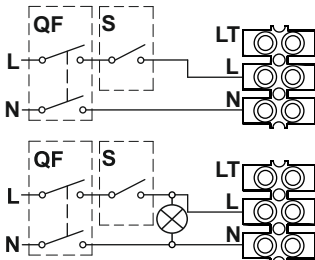
13

Sileo V2 100/125 S (low speed)

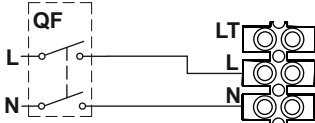


Sileo V2 100/125 (high speed)

High speed

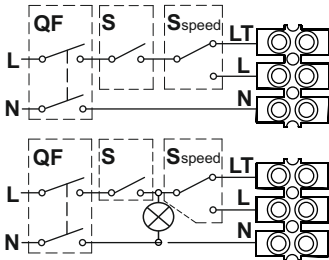


Sileo V2 100/125 S (high speed)

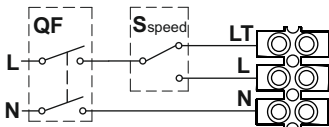


14

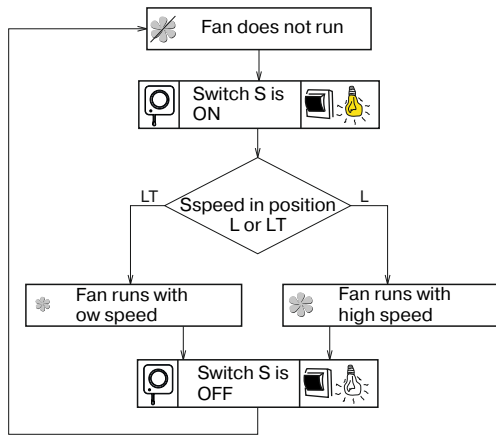
Sileo V2 100/125 (low and high speed)



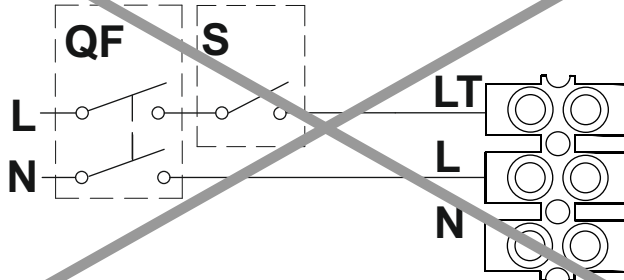
Sileo V2 100/125 S (low and high speed)



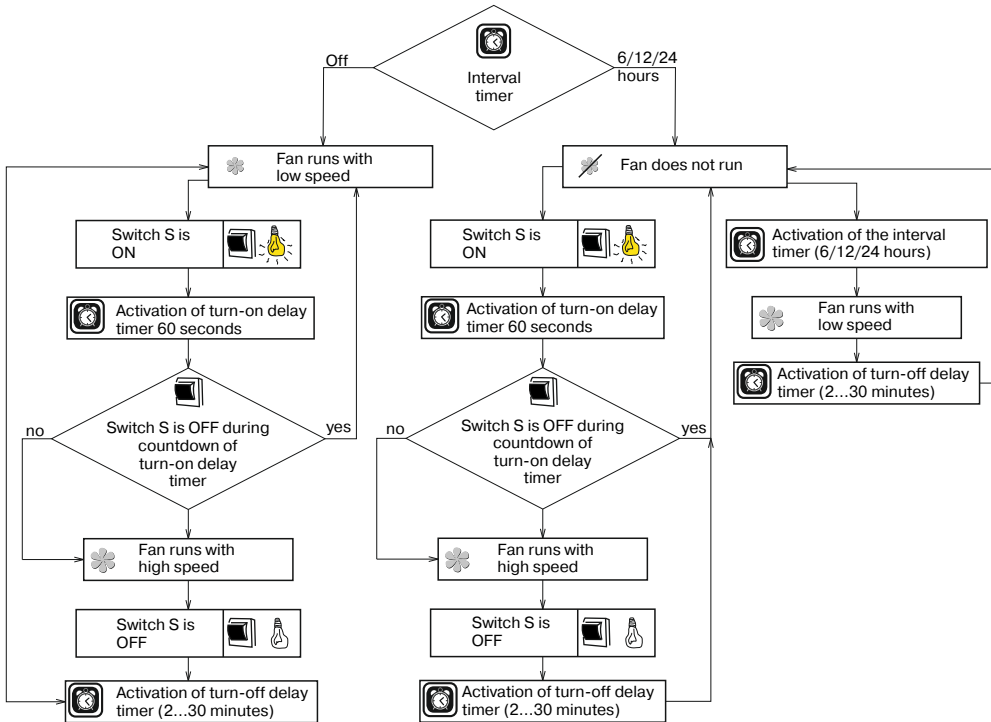
Low speed and high speed

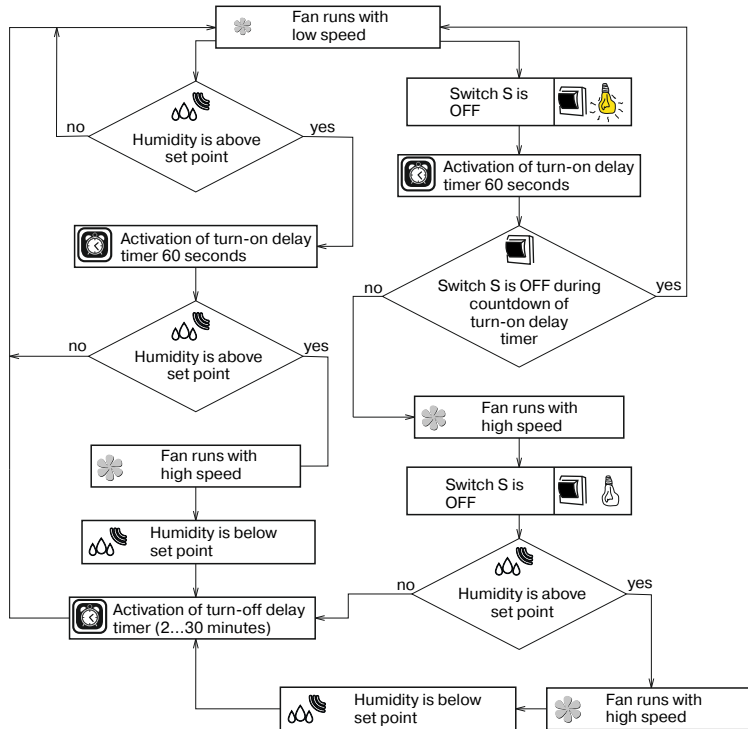



15





16





 **T**: Turning of the interval timer on and its adjustment is performed with the potentiometer Ti. To turn the interval timer off set the potentiometer Ti into the leftmost position. Rotation of the potentiometer for 1/3 clockwise sets the interval timer operation for 6 hours, rotation of the potentiometer for 2/3 clockwise sets the interval timer operation for 12 hours, rotation of the potentiometer clockwise in the rightmost position sets the interval timer operation for 24 hours.

 **T<sub>off</sub>**: To adjust the fan turn-off delay time, turn the control knob **Toff** clockwise to increase and counter-clockwise to decrease the turn-off delay time respectively, adjustable from 2 up to 30 minutes.

 **H**: To adjust the humidity set point turn the control knob **H** clockwise to increase and counter-clockwise to decrease the humidity sensor set point, adjustable from 60 % up to 90 %.

### Warning!

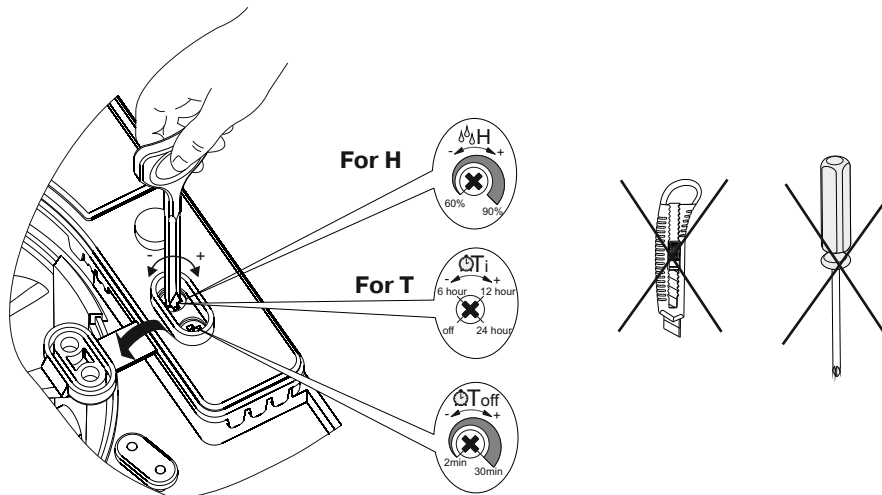
The timer circuit is live!

Disconnect the fan from power supply prior to any adjustment operations.

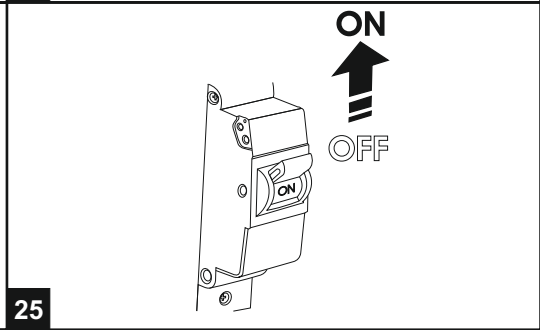
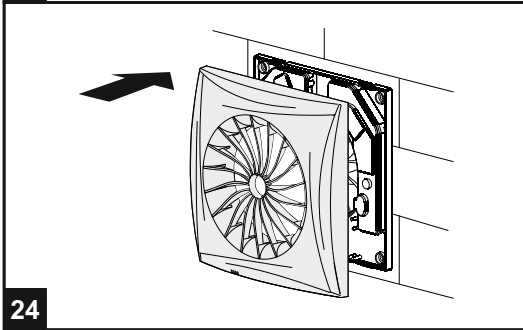
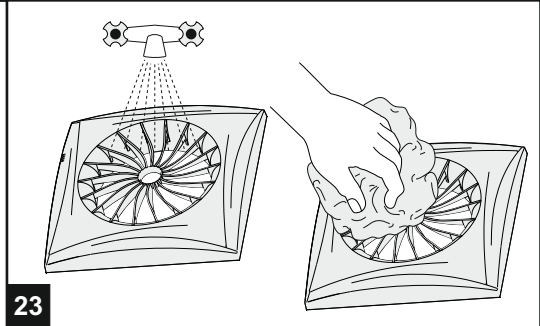
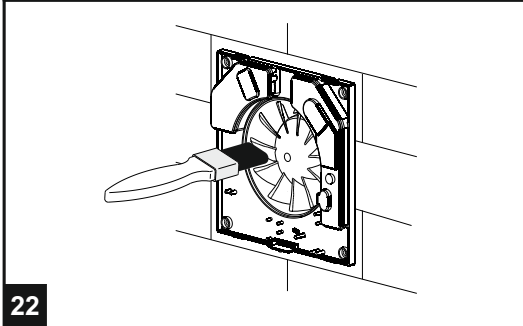
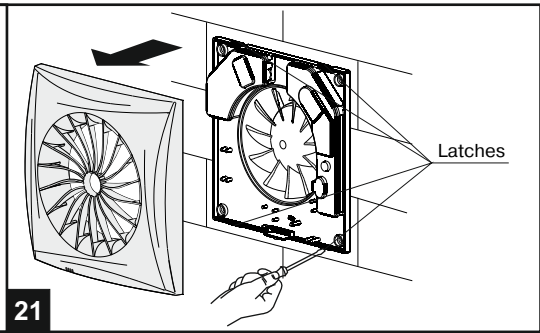
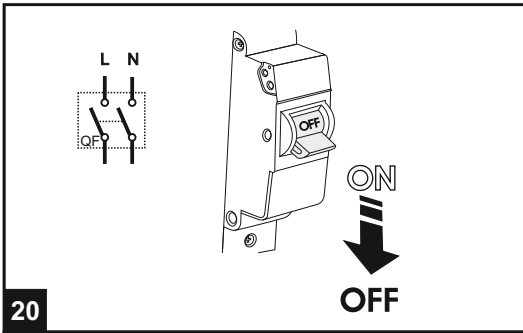
The fan delivery set includes a specially designed plastic screwdriver for fan settings adjustments.

Use it to change the turn-off delay timer, interval timer settings or the humidity sensor set point.

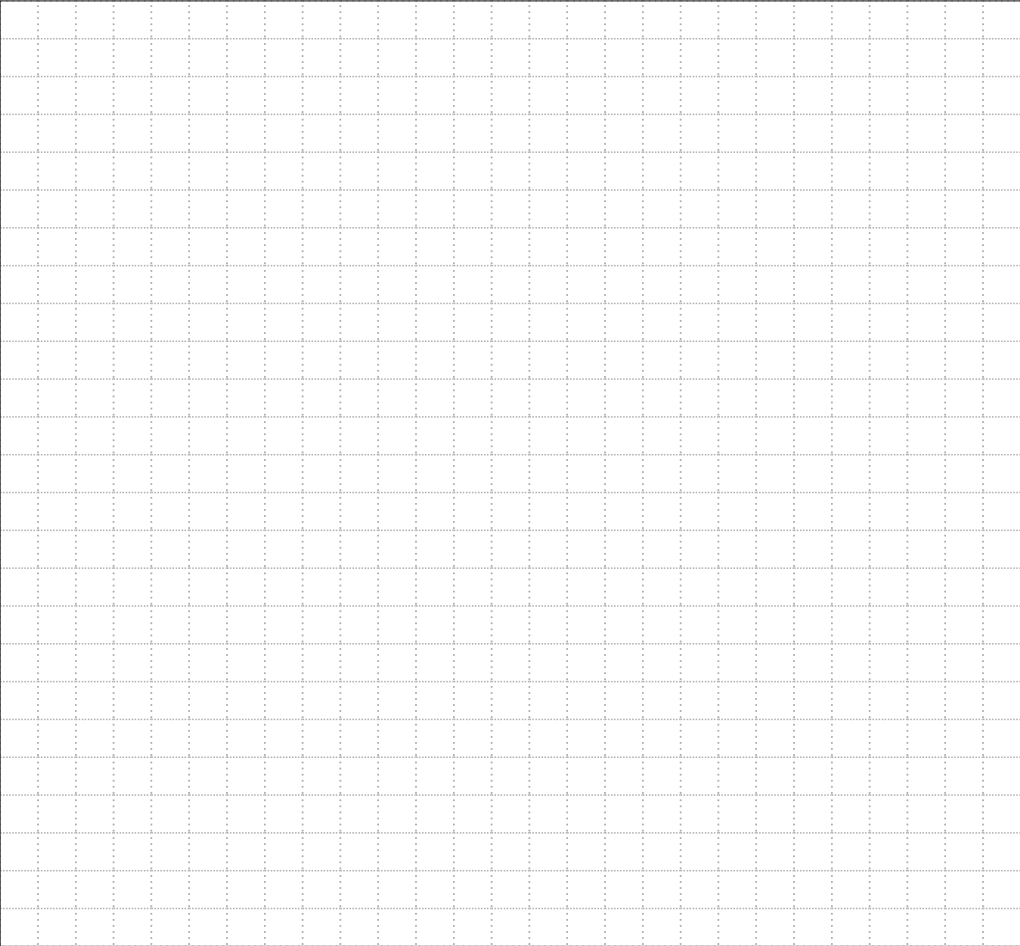
Do not use a metal screwdriver, knife, etc. for adjustment operations not to damage the circuit board.







**notes**



**Sileo V2**

100

125

**S**

**T**

**H**

**ACCEPTANCE  
CERTIFICATE**

The fan is recognized as serviceable.

Stamp of the acceptance inspector

Manufacturing date

Sold by  
**(name of the vendor, stamp of the shop)**

Date of sale

---

---

---

---

---

**WARRANTY  
CARD**



**BLAUBERG**  
Ventilatoren

*Sileo V2*

