
APPLICATION

The hood is designed to protect the Tower-SV-K2 smoke exhaust fan from exposure to precipitation and its ingress inside the structure, ensuring unobstructed removal of smoke and gases during operation.

DESIGNATION KEY
SH - 315 - HL1 - ST
Casing material:

_ – galvanized steel by default (for temperate climate only)
 ST – stainless steel;

Climatic category

_ – temperate climate design (by default)
 HL1 – cold climate design

Impeller diameter for Tower-SV-K2 fan [mm]

315; 355; 400; 450; 500; 560; 630; 710; 800; 900; 1000; 1120; 1250

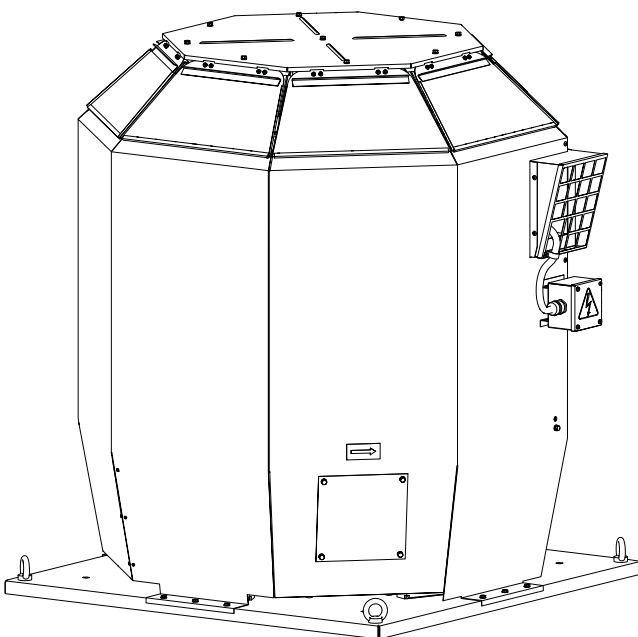
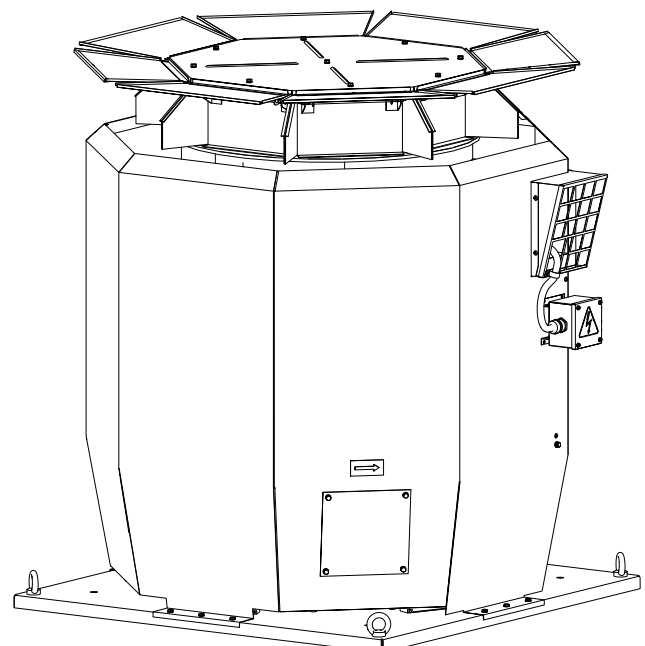
SH: protective hood series

DESIGN

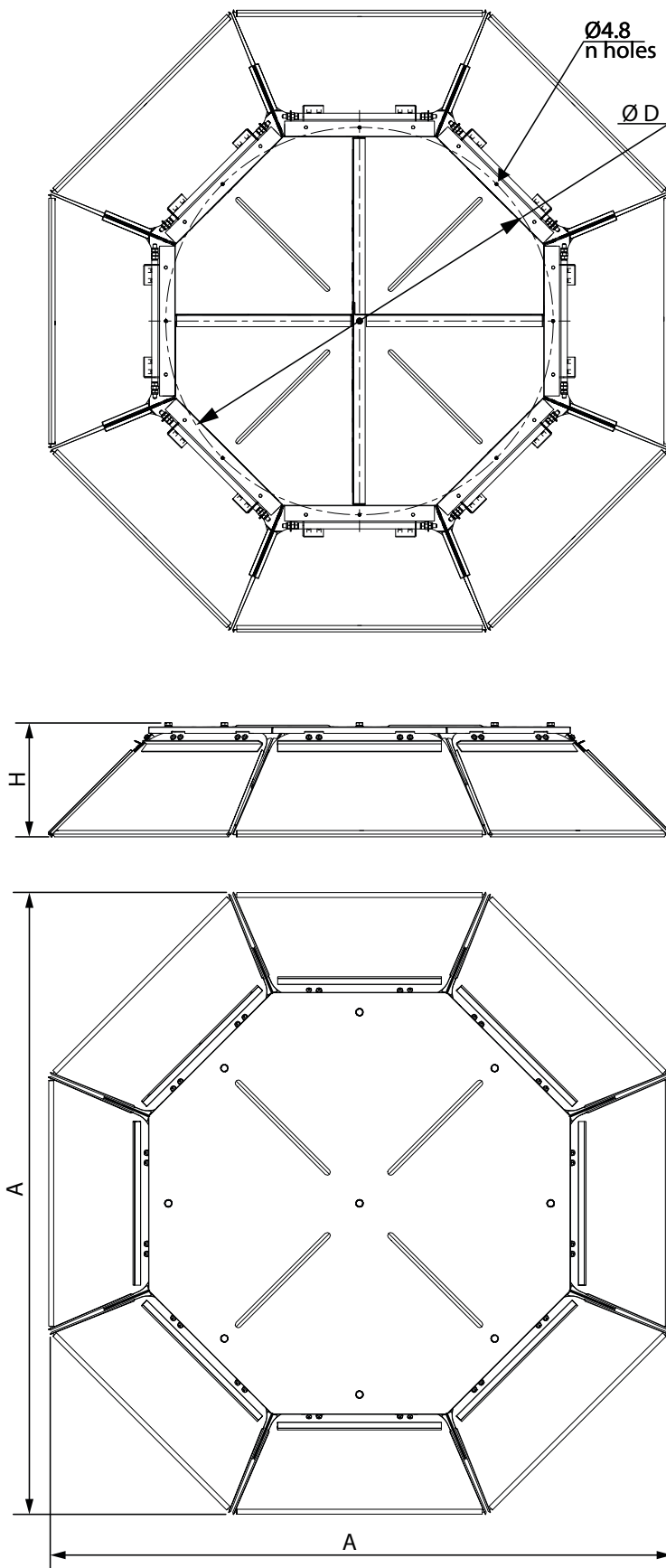
The hood consists of a casing and eight dampers that open under the impact of air flow.

The product is made of galvanized or stainless steel with high anti-corrosion properties, allowing its use in various climatic conditions.

The Tower-SV-K2 fan equipped with the SH protective hood is shown below.

Protective hood SH in closed position

Protective hood SH in open position


OVERALL AND CONNECTING DIMENSIONS

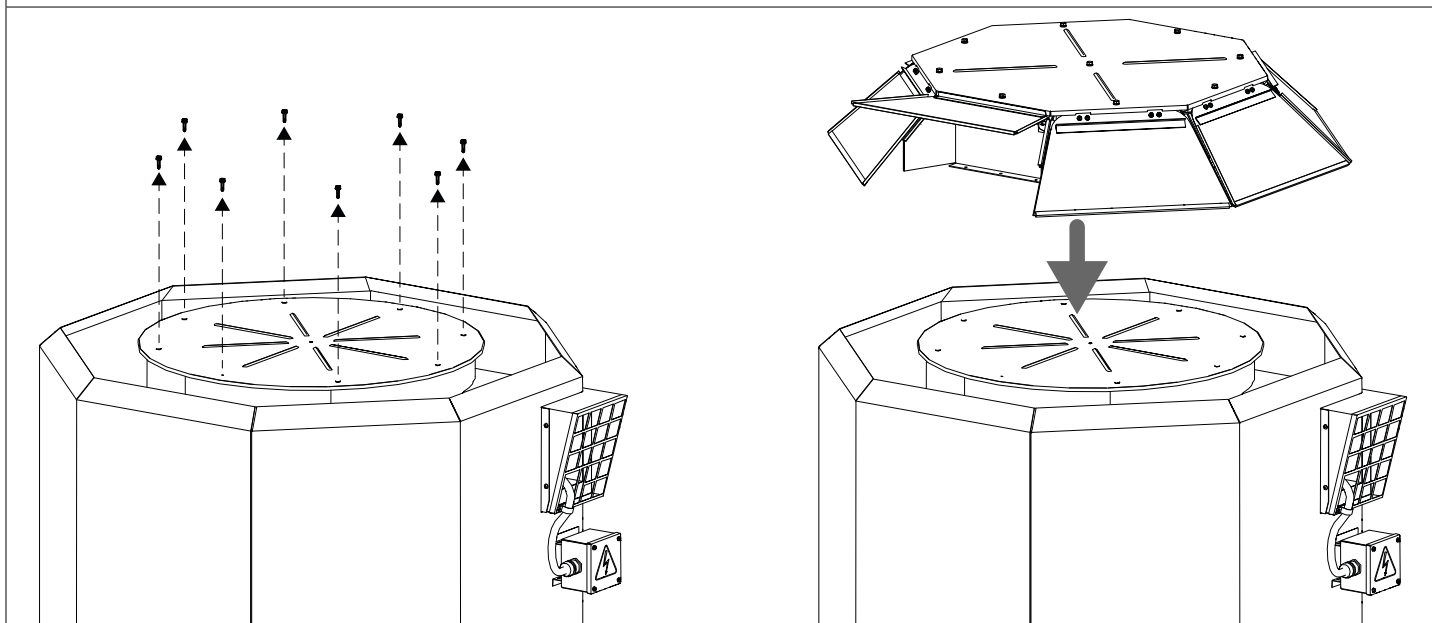


Name	H	A	D	N	Weight [kg]
SH-315	125	703	450	8	9
SH-355	125	703	450		9
SH-400	148	745	450		11
SH-400 (2D/4)	125	765	525		12
SH-450	148	745	450		11
SH-450 (2D/7,5)	145	820	525		14
SH-500	145	820	525		14
SH-560	195	915	525		16
SH-560 (4D/3)	210	945	525		17
SH-630	181	987	615		18
SH-710	230	1082	615		20
SH-710 (4D/11)	190	1098	715		20
SH-800	230	1154	695		21
SH-900	325	1348	695		25
SH-900 (4D/30)	245	1378	885		25
SH-1000	375	1471	715		30
SH-1120	475	1668	715	35	
SH-1120 (8D/15; 6D/22; 6D/30)	395	1675	885	12	35
SH-1250 (8D/22)	450	1785	885		40
SH-1250 (6D/45)	345	1815	1120		40

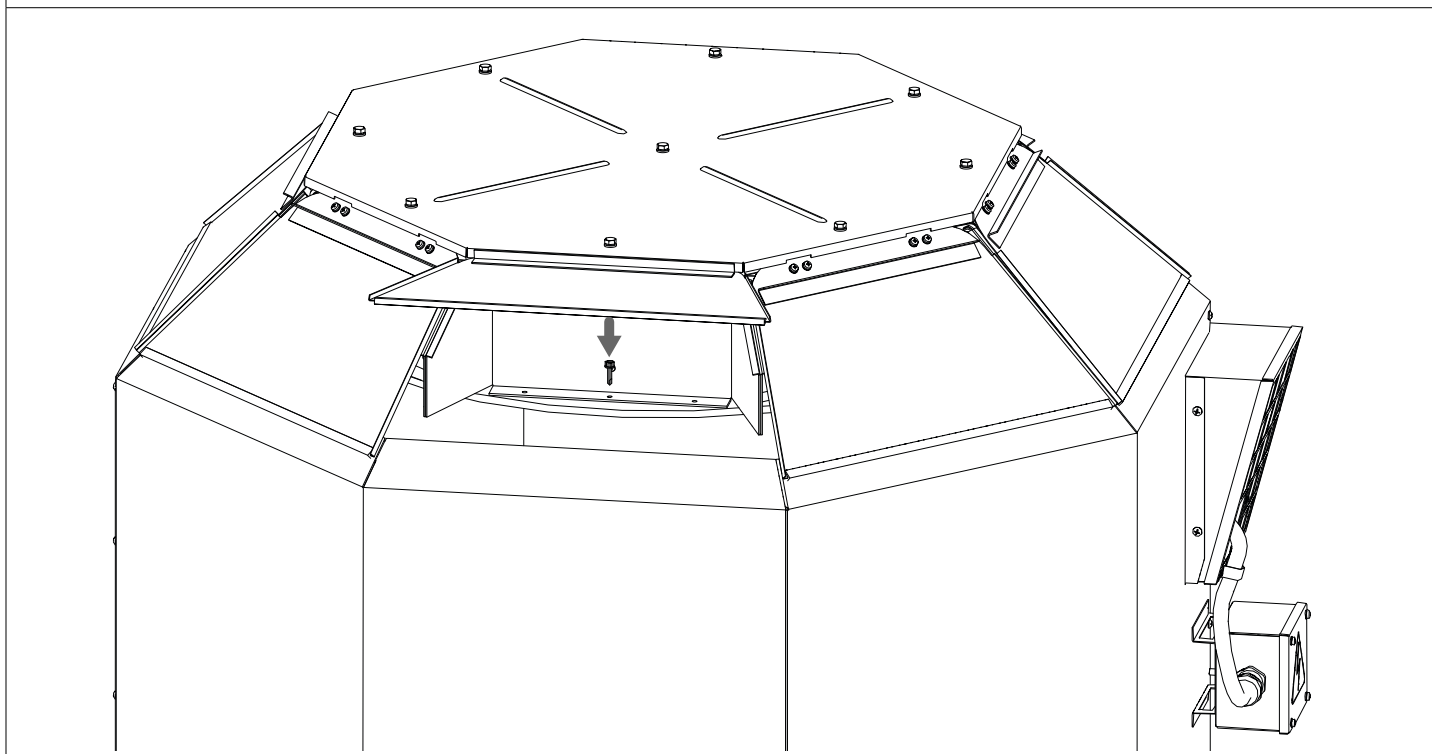
INSTALLATION

The protective hood SH is installed directly onto the Tower-SV-K2 fan casing and does not require any additional elements. In order to install the hood onto the fan, take the following steps:

1. Unscrew the screws holding the fan's insulation section cover in place.
2. Install the hood onto the fan's insulation section cover.



3. Use the screws to secure the hood on the cover.



CERTIFICATE OF ACCEPTANCE

Protective hood

SH

Date of manufacture

Sold

(name of the retailer, store stamp)

Quality Inspector's Stamp

Date of sale