

SGR-3/1

Sensor speed switch

Features

- On/off switch and speed selection for multi-speed fans.



Design

- Casing made of high-quality plastic.
- Glass sensor operating panel with three touch buttons for speed selection with light indication.
- Wall flush mounting.
- IP30 ingress protection rating.

Control

- Required speed is activated by touching the respectively marked speed button.
- The fan is turned off by touching the current speed button.

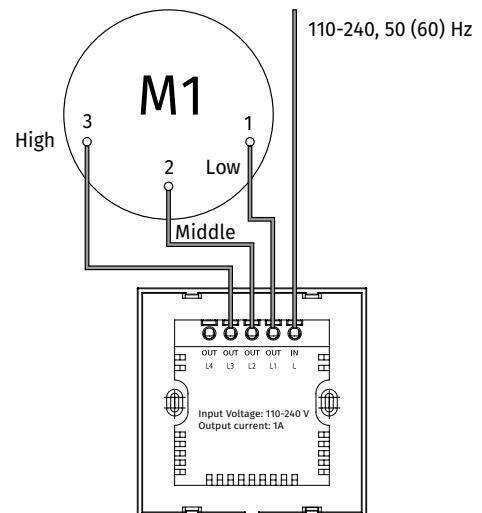
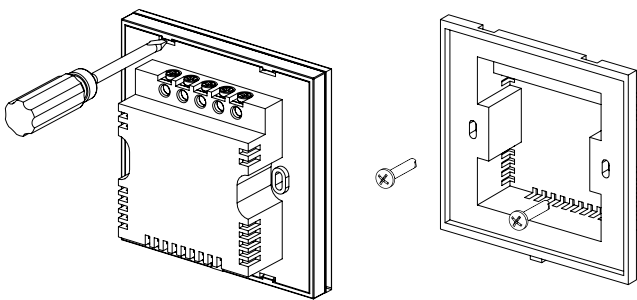
Mounting

- Designed for wall mounting in a flush mounting box.

Technical data

| Parameters | SGR-3/1 |
|--|-----------------------------------|
| Voltage 50 (60) Hz [V] | 110–240 |
| Max. current load [A] | 1 |
| Number of speeds | 3 |
| Cable cross section [mm ²] | from 0.35 up to 1 |
| Temperature range [°C] | from -10 up to +45 |
| Operating humidity range [%] | from 5 up to 80 (no condensation) |
| Service life | 100 000 operations |
| Ingress Protection | IP30 |
| Weight [g] | 138 |

SPEED CONTROLLERS



Overall dimensions [mm]

