

# SDF

## Flexible silencers for round ducts

### Features

- For attenuation of noise produced by a ventilation system and spreaded along ventilation ductworks.
- Used jointly with sound-insulated fans in premises with high requirements to noise level produced by ventilation equipment.
- Compatible with Ø 100 mm up to 315 mm round air ducts.



### Design

- Consists of outer and inner flexible spiral seam air ducts made of aluminium alloy and filled with non-flammable sound-absorbing material.
- Internal surface is perforated and covered with protection coating to prevent fiber blowing-out.
- A great variety of standard ranges with several length options.

### Mounting

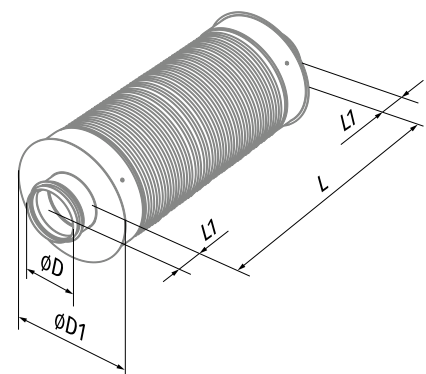
- Fixing to round ducts with clamps.
- Any mounting position.
- For better sound absorption install the silencers in Series.
- Fixing on both ends and in the middle to prevent sagging.

### Designation key

Series	Connected air duct diameter [mm]	Length
SDF	100; 125; 150; 160; 200; 250; 315	600; 900; 1200

### Overall dimensions [mm]

Model	D	D1	L	L1	Weight [kg]
SDF 100/600	99	220	600	55	1.6
SDF 100/900	99	220	900	55	2.4
SDF 100/2000	99	220	2000	55	5.2
SDF 125/600	124	270	600	55	2.0
SDF 125/900	124	270	900	55	3.0
SDF 125/2000	124	270	2000	55	6.6
SDF 150/600	149	270	600	55	2.1
SDF 150/900	149	270	900	55	3.1
SDF 150/2000	149	270	2000	55	6.8
SDF 160/600	159	270	600	55	2.1
SDF 160/900	159	270	900	55	3.2
SDF 160/2000	159	270	2000	55	7.0
SDF 200/600	199	320	600	55	2.6
SDF 200/900	199	320	900	55	3.9
SDF 200/2000	199	320	2000	55	8.6
SDF 250/600	249	370	600	55	3.0
SDF 250/900	249	370	900	55	4.5
SDF 250/2000	249	370	2000	55	10.1
SDF 315/600	314	420	600	55	3.4
SDF 315/900	314	420	900	55	5.1
SDF 315/2000	314	420	2000	55	11.4



**Noise level reduction, dB (octave-frequency band [Hz])**

Model	63 Hz	125 Hz	250 Hz	500 Hz	1000 Hz	2000 Hz	4000 Hz	8000 Hz
SDF 100/600	6	8	13	22	28	34	17	20
SDF 100/900	8	10	15	25	33	40	21	23
SDF 100/2000	10	15	24	48	53	51	39	36
SDF 125/600	4	7	14	20	31	31	13	12
SDF 125/900	5	9	16	23	36	37	17	16
SDF 125/2000	7	15	23	47	55	50	28	25
SDF 150/600	3	7	12	32	40	40	19	20
SDF 150/900	4	8	14	40	48	49	26	25
SDF 150/2000	5	10	21	42	50	48	26	25
SDF 160/600	3	7	12	20	25	24	10	12
SDF 160/900	3	8	13	21	28	28	13	16
SDF 160/2000	5	11	20	40	48	48	25	25
SDF 200/600	2	5	12	20	26	21	10	10
SDF 200/900	3	6	12	22	28	24	12	13
SDF 200/2000	4	11	22	42	51	34	19	23
SDF 250/600	2	3	8	16	22	13	10	10
SDF 250/900	2	4	9	18	25	16	11	12
SDF 250/2000	3	6	16	30	39	27	17	22
SDF 315/600	2	4	9	18	21	12	7	9
SDF 315/900	2	5	11	21	24	14	8	10
SDF 315/2000	4	7	17	34	39	24	14	18

SILENCERS

