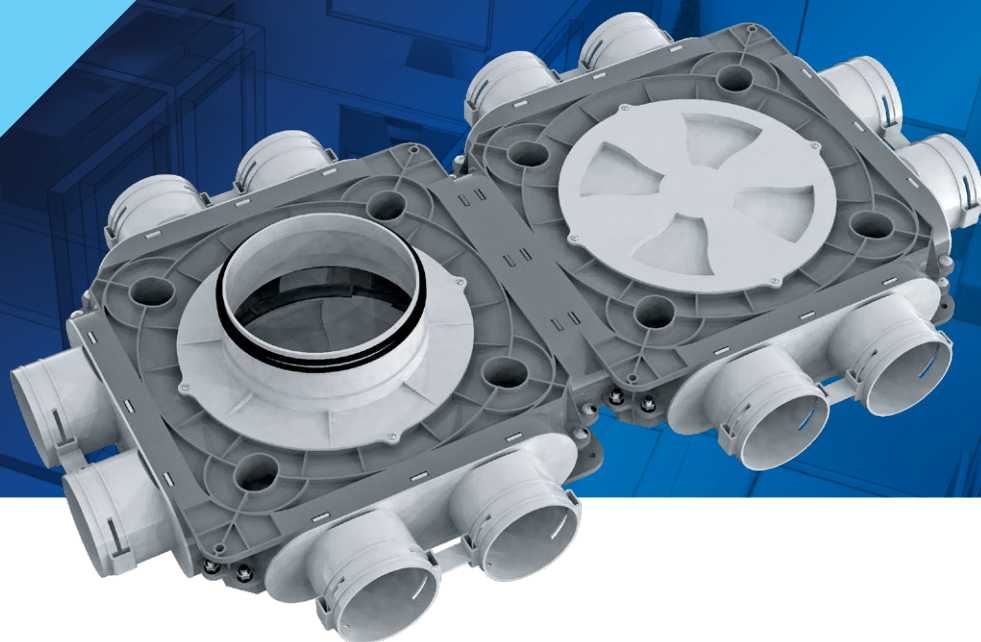


BLAUFAST



BLAUFAST

Flexible solution for efficient ventilation

CONTENTS

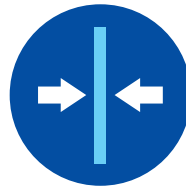
BENEFITS OF THE BLAUFAST SYSTEM	1
SYSTEM 63	
Ducts	2
Air distribution boxes	3
Connectors	13
Fittings	16
SYSTEM 75	
Ducts	19
Air distribution boxes	20
Connectors	30
Fittings	33
SYSTEM 90	
Ducts	37
Air distribution boxes	38
Connectors	47
Fittings	49
SYSTEM 52	
Ducts	52
Air distribution boxes	53
Connectors	54
Fittings	55
GRILLES	
Floor-mounted grilles	57
Wall-mounted grilles	59
Disc valves	60
Universal plastic grilles	61
ACCESSORIES	62

BENEFITS OF THE BLAUFAST SYSTEM

Modular **BLAUFAST** system saves living space and offers nonstandard design solutions.



- › Smooth inner surface makes maintenance easy.



- › Compact size. Suitable for nonstandard ceilings with complicated geometry and heated floors.



- › No air leakages.



- › Quick and fast assembly due to flexible air ducts and versatile fittings. No special tools and qualification required.



- › Low noise.



- › The material and the form of the semi-rigid air ducts are designed for high external load capacity, i.e. pressure of the concrete floor.



- › Pleasant interior look. The ventilation lines are covered with suspended ceilings, floors or walls. Ventilation supply and exhaust grilles are the only visible components.

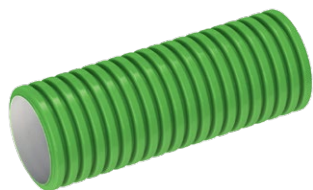
SYSTEM 63

DUCTS

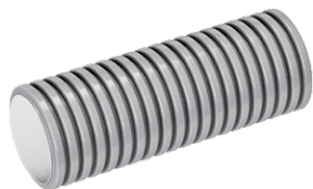
ROUND DUCT
BLAUFast RK 63



ROUND DUCT WITH
ANTIBACTERIAL AND
ANTISTATIC TREATMENT
BLAUFast RK 63 01



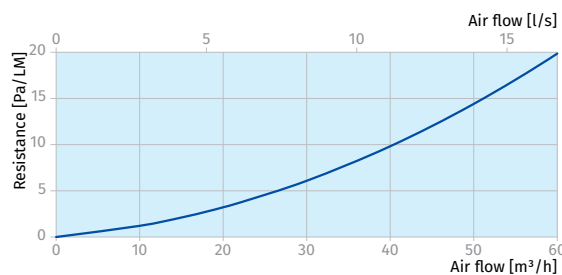
ROUND DUCT WITH
ANTISTATIC TREATMENT
BLAUFast RK 63 02



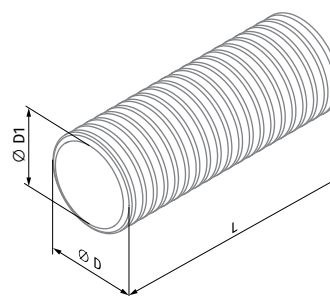
- Made of high-density polyethylene (HDPE).
- The bend radius is 130 mm.
- Circular density 8 kN/m² according to EN ISO 9969.
- Operating temperature: from -20 to +60 °C.
- Smooth inner surface for low air resistance and easy cleaning,

Air speed through the cross-section [m/s]	2	2.5	3
1 duct – air flow [m ³ /h]	15	18	22
2 ducts – air flow [m ³ /h]	29	37	44
3 ducts – air flow [m ³ /h]	44	55	66

Duct length [m]	Duct resistance [Pa]		
2	4.2	5.5	7.5
4	8.4	11.0	14.9
6	12.7	16.5	22.4
8	16.9	22.0	29.8
10	21.1	27.5	37.3
12	25.3	33.0	44.8
14	29.5	38.5	52.2
16	33.8	44.0	59.7
18	38.0	49.5	67.1



Dimensions [mm]	∅ D	∅ D1	L [m]
BlauFast RK 63/50	63	51	50
BlauFast RK 63/50 01	63	51	50
BlauFast RK 63/50 02	63	51	50



AIR DISTRIBUTION BOXES

METAL AIR DISTRIBUTION BOX BLAUFAST SR 125/63x2 01

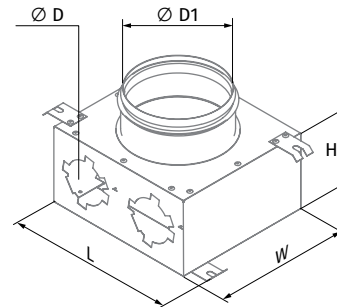
Supply or exhaust ventilation systems of residential spaces. For distribution of air from the ventilation unit through the air ducts.



- Made of aluzinc coated steel.
- The main air duct flange is sealed with a rubber gasket.
- Air duct connection through matching flanges **BlauFast RKF** (purchased separately).
- Unused openings must be capped with **BlauFast RSP**.

Air flow [m³/h]	Quantity of connected air ducts	Air supply, Pressure drop [Pa]	Air exhaust, Pressure drop [Pa]
25	1	9.2	10.1
50	2	9.8	10.8

Dimensions [mm]	Ø D	Ø D1	H	L	W
BlauFast SR 125/63x2 01	55	124	100	196	178



PLASTIC AIR DISTRIBUTION BOX BLAUFAST SR 125/63x3 50P

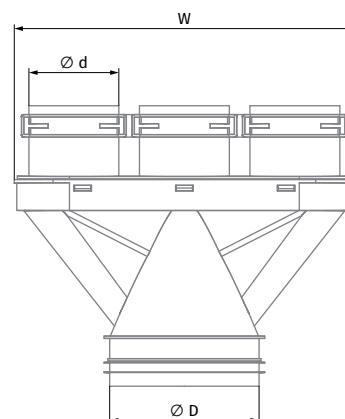
For supply and exhaust systems in residential premises. Distribution of air from the ventilation unit through the ducts.



- Connection diameter: 63 mm.
- Ducts are fastened with **BlauFast S** locks, included in the delivery.
- The duct is fitted with **BlauFast RL 63** slip-on seal to retain air-tightness class "C" (purchased separately).
- Made of polypropylene (PP) with thermoplastic elastomer (SEBS).
- Operating temperature: from -20 to +60 °C.

Air capacity [m³/h]	Quantity of connected air ducts	Air supply, air resistance [Pa]	Air exhaust, air resistance [Pa]
25	1	9.2	10.1
50	2	9.8	10.8
75	3	10.8	11.8

Dimensions [mm]	Ø D	Ø d	W
BlauFast SR 125/63x3 50P	125	63	271



**METAL AIR
DISTRIBUTION BOX
BLAUFAST SR 125/63x6 01**

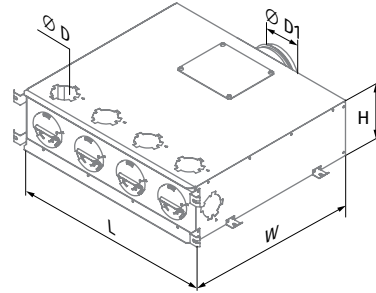
Supply or exhaust ventilation systems of residential spaces. For distribution of air from the ventilation unit through the air ducts.



- Made of aluzinc coated steel.
- The main air duct flange is sealed with a rubber gasket.
- Air duct connection through matching flanges **BlauFast RKF** (purchased separately).
- Unused openings must be capped with **BlauFast RSP**.
- Internally sound-insulated.

Air capacity [m³/h]	Quantity of connected air ducts	Air supply, air resistance [Pa]	Air exhaust, air resistance [Pa]
25	1	9.2	10.1
50	2	9.8	10.8
75	3	10.9	12.0
100	4	12.4	13.6
125	5	14.3	15.7
150	6	16.6	18.3

Dimensions [mm]	Ø D	Ø D1	H	L	W
BlauFast SR 125/63x6 01	55	124	162	554	470



**METAL AIR
DISTRIBUTION BOX
BLAUFAST SR 125/63x6 02**

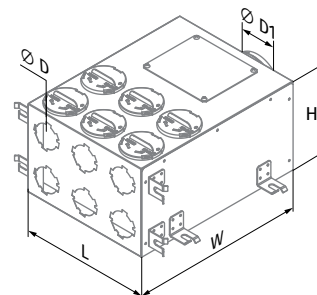
Supply or exhaust ventilation systems of residential spaces. For distribution of air from the ventilation unit through the air ducts.



- Made of aluzinc coated steel.
- The main air duct flange is sealed with a rubber gasket.
- Air duct connection through matching flanges **BlauFast RKF** (purchased separately).
- Unused openings must be capped with **BlauFast RSP**.
- Internally sound-insulated.

Air flow [m³/h]	Quantity of connected air ducts	Air supply, Pressure drop [Pa]	Air exhaust, Pressure drop [Pa]
25	1	9.2	10.1
50	2	9.8	10.8
75	3	10.9	12.0
100	4	12.4	13.6
125	5	14.3	15.7
150	6	16.6	18.3

Dimensions [mm]	Ø D	Ø D1	H	L	W
BlauFast SR 125/63x6 02	55	124	202	300	400



METAL AIR DISTRIBUTION BOX BLAUFAST SR 125/63x6 03

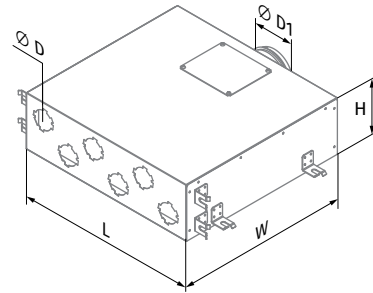
Supply or exhaust ventilation systems of residential spaces. For distribution of air from the ventilation unit through the air ducts.



- Made of aluzinc coated steel.
- The main air duct flange is sealed with a rubber gasket.
- Air duct connection through matching flanges **BlauFast RKF** (purchased separately).
- Unused openings must be capped with **BlauFast RSP**.
- Internally sound-insulated.

Air capacity [m³/h]	Quantity of connected air ducts	Air supply, air resistance [Pa]	Air exhaust, air resistance [Pa]
25	1	9.2	10.1
50	2	9.8	10.8
75	3	10.9	12.0
100	4	12.4	13.6
125	5	14.3	15.7
150	6	16.6	18.3

Dimensions [mm]	∅ D	∅ D1	H	L	W
BlauFast SR 125/63x6 03	55	124	162	530	500



METAL AIR DISTRIBUTION BOX BLAUFAST SR 160/63x8 01

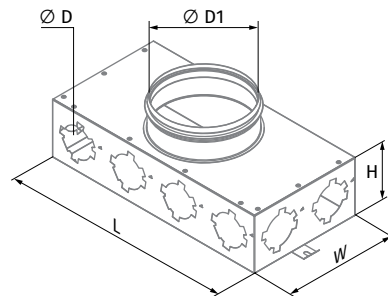
Supply or exhaust ventilation systems of residential spaces. For distribution of air from the ventilation unit through the air ducts.



- Made of aluzinc coated steel.
- The main air duct flange is sealed with a rubber gasket.
- Air duct connection through matching flanges **BlauFast RKF** (purchased separately).
- Unused openings must be capped with **BlauFast RSP**.

Air flow [m³/h]	Quantity of connected air ducts	Air supply, Pressure drop [Pa]	Air exhaust, Pressure drop [Pa]
25	1	9.1	10.1
50	2	9.6	10.5
75	3	10.3	11.3
100	4	11.3	12.4
125	5	12.6	13.9
150	6	14.2	15.6
175	7	16.1	17.7
200	8	18.2	20.1

Dimensions [mm]	∅ D	∅ D1	H	L	W
BlauFast SR 160/63x8 01	55	159	100	400	200



**PLASTIC AIR
DISTRIBUTION BOX
BLAUFast SR 125/63x9 50P**

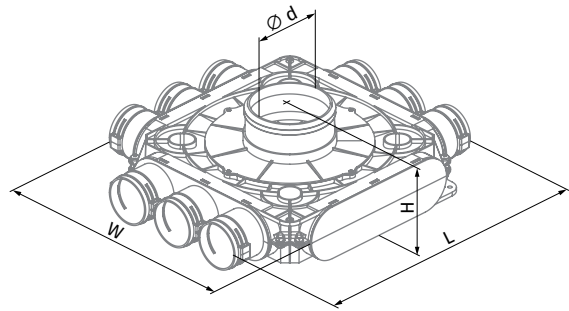
For supply and exhaust systems in residential premises. Distribution of air from the ventilation unit through the ducts.



- Connection diameter: 63 mm.
- Ducts are fastened with **BlauFast S** locks, included in the delivery.
- The duct is fitted with **BlauFast RL 63** slip-on seal to retain air-tightness class "C" (purchased separately).
- Made of polypropylene (PP) with thermoplastic elastomer (SEBS).
- Operating temperature: from -20 to +60 °C.

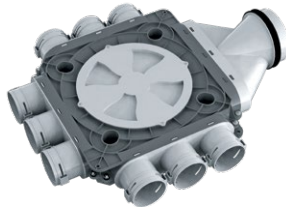
Air flow [m³/h]	Quantity of connected air ducts	Air supply. Pressure drop [Pa]	Air exhaust. Pressure drop [Pa]
25	1	10.4	12.8
50	2	12.2	14.4
75	3	14.4	16.4
100	4	16.5	18.9
125	5	18.5	21.4
150	6	20.6	24.0
175	7	23.1	26.8
200	8	25.5	29.6
225	9	28.0	32.4

Dimensions [mm]	Ø d (inner)	H	L	W
BlauFast SR 125/63x9 50P	113	140	464	408



**PLASTIC AIR
DISTRIBUTION BOX
BLAUFast SR 125/63x9 51P**

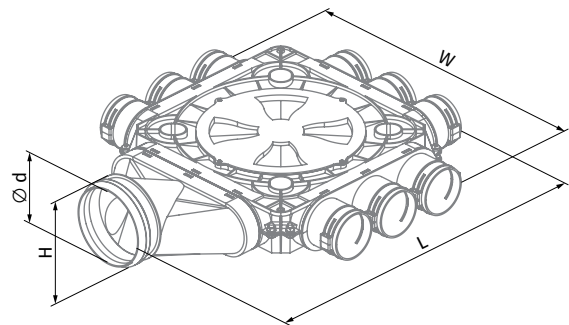
For supply and exhaust systems in residential premises. Distribution of air from the ventilation unit through the ducts.



- Connection diameter: 63 mm.
- Ducts are fastened with **BlauFast S** locks, included in the delivery.
- The duct is fitted with **BlauFast RL 63** slip-on seal to retain air-tightness class "C" (purchased separately).
- Made of polypropylene (PP) with thermoplastic elastomer (SEBS).
- Operating temperature: from -20 to +60 °C.

Air flow [m³/h]	Quantity of connected air ducts	Air supply. Pressure drop [Pa]	Air exhaust. Pressure drop [Pa]
25	1	13.5	16.6
50	2	15.9	18.7
75	3	18.7	21.3
100	4	21.4	24.6
125	5	24.1	27.9
150	6	26.8	31.2
175	7	30.0	34.8
200	8	33.2	38.5
225	9	36.4	42.1

Dimensions [mm]	Ø d1 (inner)	H	L	W
BlauFast SR 125/63x9 51P	113	128	572	464



METAL AIR DISTRIBUTION BOX BLAUFAST SR 160/63x10 01

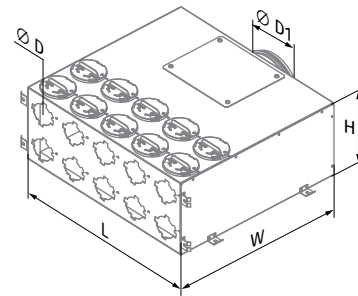
Supply or exhaust ventilation systems of residential spaces. For distribution of air from the ventilation unit through the air ducts.



- Made of aluzinc coated steel.
- The main air duct flange is sealed with a rubber gasket.
- Air duct connection through matching flanges **BlauFast RKF** (purchased separately).
- Unused openings must be capped with **BlauFast RSP**.
- Internally sound-insulated.

Air capacity [m³/h]	Quantity of connected air ducts	Air supply, air resistance [Pa]	Air exhaust, air resistance [Pa]
25	1	9.1	10.0
50	2	9.5	10.5
75	3	10.2	11.2
100	4	11.0	12.1
125	5	12.2	13.4
150	6	13.6	15.0
175	7	15.3	16.8
200	8	17.2	18.9
225	9	19.4	21.3
250	10	21.8	24.0

Dimensions [mm]	Ø D	Ø D1	H	L	W
BlauFast SR 160/63x10 01	55	159	202	500	500



METAL AIR DISTRIBUTION BOX BLAUFAST SR 200/63x10 01

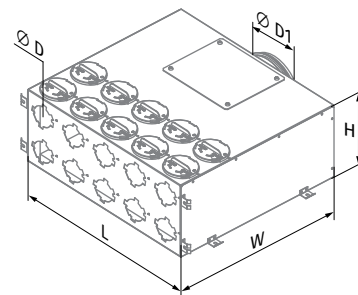
Supply or exhaust ventilation systems of residential spaces. For distribution of air from the ventilation unit through the air ducts.



- Made of aluzinc coated steel.
- The main air duct flange is sealed with a rubber gasket.
- Air duct connection through matching flanges **BlauFast RKF** (purchased separately).
- Unused openings must be capped with **BlauFast RSP**.
- Internally sound-insulated.

Air capacity [m³/h]	Quantity of connected air ducts	Air supply, air resistance [Pa]	Air exhaust, air resistance [Pa]
25	1	9.1	10.0
50	2	9.3	10.3
75	3	9.8	10.8
100	4	10.4	11.4
125	5	11.2	12.3
150	6	12.1	13.3
175	7	13.2	14.5
200	8	14.5	16.0
225	9	16.0	17.6
250	10	17.6	19.4

Dimensions [mm]	Ø D	Ø D1	L	H	W
BlauFast SR 200/63x10 01	55	199	500	302	600



METAL AIR DISTRIBUTION BOX BLAUFAST SR 200/63x15 01

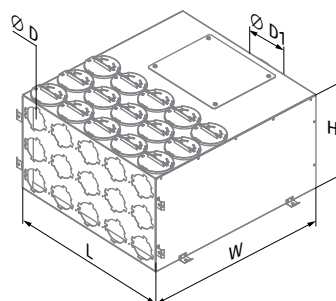
Supply or exhaust ventilation systems of residential spaces. For distribution of air from the ventilation unit through the air ducts.



- Made of aluzinc coated steel.
- The main air duct flange is sealed with a rubber gasket.
- Air duct connection through matching flanges **BlauFast RKF** (purchased separately).
- Unused openings must be capped with **BlauFast RSP**.
- Internally sound-insulated.

Air capacity [m³/h]	Quantity of connected air ducts	Air supply, air resistance [Pa]	Air exhaust, air resistance [Pa]
25	1	9.1	10.0
50	2	9.3	10.3
75	3	9.8	10.8
100	4	10.4	11.4
125	5	11.2	12.3
150	6	12.1	13.3
175	7	13.2	14.5
200	8	14.5	16.0
225	9	16.0	17.6
250	10	17.6	19.4
275	11	19.4	21.4
300	12	21.4	23.5
325	13	23.6	25.9
350	14	25.9	28.5
375	15	28.4	31.2

Dimensions [mm]	Ø D	Ø D1	H	L	W
BlauFast SR 200/63x15 01	55	199	302	500	600



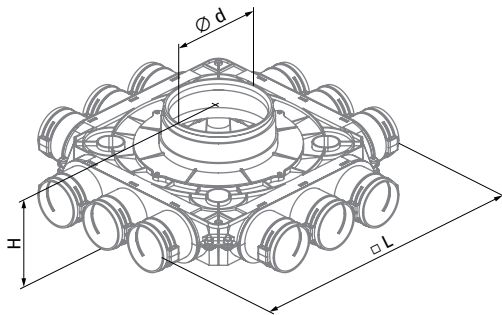
**PLASTIC AIR
DISTRIBUTION BOX
BLAUFAST SR 150/63x12 50P
BLAUFAST SR 160/63x12 50P
BLAUFAST SR 200/63x12 50P**



For supply and exhaust systems in residential premises. Distribution of air from the ventilation unit through the ducts.

- Connection diameter: 63 mm.
- Ducts are fastened with **BlauFast S** locks, included in the delivery.
- The duct is fitted with **BlauFast RL 63** slip-on seal to retain air-tightness class "C" (purchased separately).
- Made of polypropylene (PP) with thermoplastic elastomer (SEBS).
- Operating temperature: from -20 to +60 °C.

Dimensions [mm]	Ø d1 (inner)	H	L
BlauFast SR 150/63x12 50P	138	140	464
BlauFast SR 160/63x12 50P	148	140	464
BlauFast SR 200/63x12 50P	188	140	464



BlauFast SR 150/63x12 50P

Air capacity [m³/h]	Quantity of connected air ducts	Air supply, air resistance [Pa]	Air exhaust, air resistance [Pa]
25	1	9.1	10.1
50	2	9.6	10.5
75	3	10.3	11.3
100	4	11.3	12.4
125	5	12.6	13.9
150	6	14.2	15.6
175	7	16.1	17.7
200	8	18.2	20.1
225	9	20.7	22.8
250	10	23.4	25.8
275	11	26.5	29.1
300	12	29.8	32.8

BlauFast SR 160/63x12 50P

Air capacity [m³/h]	Quantity of connected air ducts	Air supply, air resistance [Pa]	Air exhaust, air resistance [Pa]
25	1	9.1	10.1
50	2	9.6	10.5
75	3	10.3	11.3
100	4	11.3	12.4
125	5	12.6	13.9
150	6	14.2	15.6
175	7	16.1	17.7
200	8	18.2	20.1
225	9	20.7	22.8
250	10	23.4	25.8
275	11	26.5	29.1
300	12	29.8	32.8

BlauFast SR 200/63x12 50P

Air capacity [m³/h]	Quantity of connected air ducts	Air supply, air resistance [Pa]	Air exhaust, air resistance [Pa]
25	1	9.1	10.0
50	2	9.4	10.4
75	3	9.9	10.9
100	4	10.6	11.7
125	5	11.6	12.7
150	6	12.7	14.0
175	7	14.0	15.4
200	8	15.6	17.1
225	9	17.3	19.1
250	10	19.3	21.2
275	11	21.4	23.6
300	12	23.8	26.2

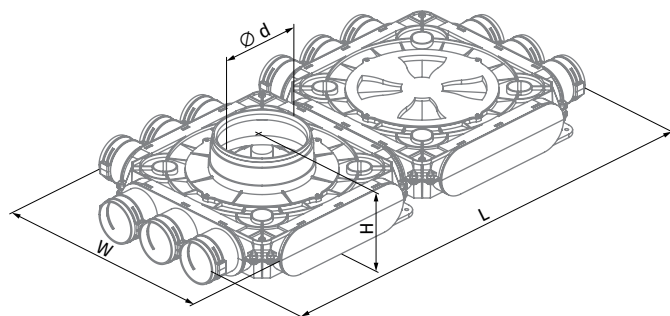
PLASTIC AIR
 DISTRIBUTION BOX
BLAUFast SR 150/63x12 51P
BLAUFast SR 160/63x12 51P
BLAUFast SR 200/63x12 51P



For supply and exhaust systems
 in residential premises.
 Distribution of air from the
 ventilation unit through the ducts.

- Connection diameter: 63 mm.
- Ducts are fastened with **BlauFast S** locks, included in the delivery.
- The duct is fitted with **BlauFast RL 63** slip-on seal to retain air-tightness class "C" (purchased separately).
- Made of polypropylene (PP) with thermoplastic elastomer (SEBS).
- Operating temperature: from -20 to +60 °C.

Dimensions [mm]	Ø d (inner)	H	L	W
BlauFast SR 150/63x12 51P	138	140	813	408
BlauFast SR 160/63x12 51P	148	140	813	408
BlauFast SR 200/63x12 51P	188	140	813	408



BlauFast SR 150/63x12 51P

Air capacity [m³/h]	Quantity of connected air ducts	Air supply, air resistance [Pa]	Air exhaust, air resistance [Pa]
25	1	9.1	10.1
50	2	9.6	10.5
75	3	10.3	11.3
100	4	11.3	12.4
125	5	12.6	13.9
150	6	14.2	15.6
175	7	16.1	17.7
200	8	18.2	20.1
225	9	20.7	22.8
250	10	23.4	25.8
275	11	26.5	29.1
300	12	29.8	32.8

BlauFast SR 160/63x12 51P

Air capacity [m³/h]	Quantity of connected air ducts	Air supply, air resistance [Pa]	Air exhaust, air resistance [Pa]
25	1	9.1	10.1
50	2	9.6	10.5
75	3	10.3	11.3
100	4	11.3	12.4
125	5	12.6	13.9
150	6	14.2	15.6
175	7	16.1	17.7
200	8	18.2	20.1
225	9	20.7	22.8
250	10	23.4	25.8
275	11	26.5	29.1
300	12	29.8	32.8

BlauFast SR 200/63x12 51P

Air capacity [m³/h]	Quantity of connected air ducts	Air supply, air resistance [Pa]	Air exhaust, air resistance [Pa]
25	1	9.1	10.0
50	2	9.4	10.4
75	3	9.9	10.9
100	4	10.6	11.7
125	5	11.6	12.7
150	6	12.7	14.0
175	7	14.0	15.4
200	8	15.6	17.1
225	9	17.3	19.1
250	10	19.3	21.2
275	11	21.4	23.6
300	12	23.8	26.2

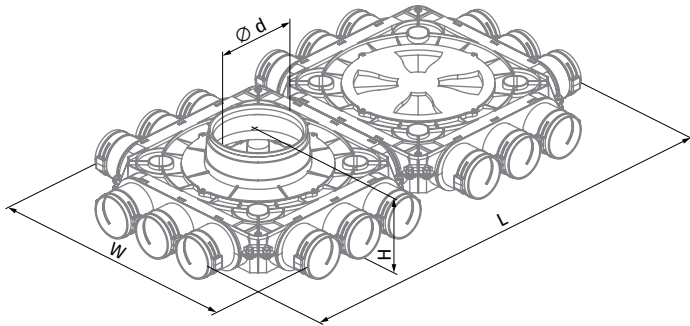
**PLASTIC AIR
DISTRIBUTION BOX**
BLAUFAST SR 150/63x18 50P
BLAUFAST SR 160/63x18 50P
BLAUFAST SR 200/63x18 50P



For supply and exhaust systems in residential premises. Distribution of air from the ventilation unit through the ducts.

- Connection diameter: 63 mm.
- Ducts are fastened with **BlauFast S** locks, included in the delivery.
- The duct is fitted with **BlauFast RL 63** slip-on seal to retain air-tightness class "C" (purchased separately).
- Made of polypropylene (PP) with thermoplastic elastomer (SEBS).
- Operating temperature: from -20 to +60 °C.

Dimensions [mm]	∅ d (inner)	H	L	W
BlauFast SR 150/63x18 50P	138	140	813	464
BlauFast SR 160/63x18 50P	148	140	813	464
BlauFast SR 200/63x18 50P	188	140	813	464



BlauFast SR 150/63x18 50P

Air capacity [m³/h]	Quantity of connected air ducts	Air supply, air resistance [Pa]	Air exhaust, air resistance [Pa]
25	1	9.1	10.1
50	2	9.6	10.5
75	3	10.3	11.3
100	4	11.3	12.4
125	5	12.6	13.9
150	6	14.2	15.6
175	7	16.1	17.7
200	8	18.2	20.1
225	9	20.7	22.8
250	10	23.4	25.8
275	11	26.5	29.1
300	12	29.8	32.8
325	13	33.4	36.8
350	14	37.3	41.0
375	15	41.5	45.7
400	16	46.0	50.6
425	17	50.7	55.8
450	18	55.8	61.4

BlauFast SR 160/63x18 50P

Air capacity [m³/h]	Quantity of connected air ducts	Air supply, air resistance [Pa]	Air exhaust, air resistance [Pa]
25	1	9.1	10.1
50	2	9.6	10.5
75	3	10.3	11.3
100	4	11.3	12.4
125	5	12.6	13.9
150	6	14.2	15.6
175	7	16.1	17.7
200	8	18.2	20.1
225	9	20.7	22.8
250	10	23.4	25.8
275	11	26.5	29.1
300	12	29.8	32.8
325	13	33.4	36.8
350	14	37.3	41.0
375	15	41.5	45.7
400	16	46.0	50.6
425	17	50.7	55.8
450	18	55.8	61.4

BlauFast SR 200/63x18 50P

Air capacity [m³/h]	Quantity of connected air ducts	Air supply, air resistance [Pa]	Air exhaust, air resistance [Pa]
25	1	9.1	10.0
50	2	9.4	10.4
75	3	9.9	10.9
100	4	10.6	11.7
125	5	11.6	12.7
150	6	12.7	14.0
175	7	14.0	15.4
200	8	15.6	17.1
225	9	17.3	19.1
250	10	19.3	21.2
275	11	21.4	23.6
300	12	23.8	26.2
325	13	26.4	29.0
350	14	29.1	32.1
375	15	32.1	35.3
400	16	35.3	38.8
425	17	38.7	42.6
450	18	42.3	46.5

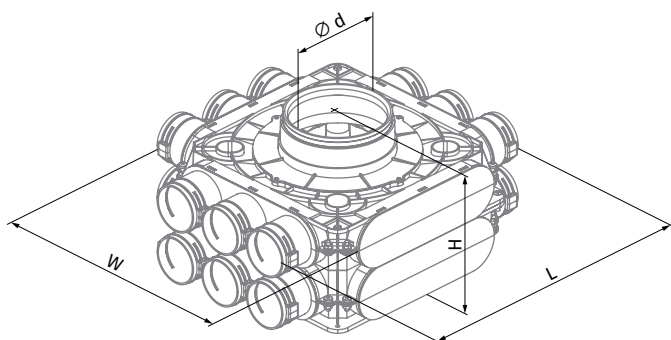
**PLASTIC AIR
DISTRIBUTION BOX**
BLAUFAST SR 150/63x18 51P
BLAUFAST SR 160/63x18 51P
BLAUFAST SR 200/63x18 51P



For supply and exhaust systems in residential premises. Distribution of air from the ventilation unit through the ducts.

- Connection diameter: 63 mm.
- Ducts are fastened with **BlauFast S** locks, included in the delivery.
- The duct is fitted with **BlauFast RL 63** slip-on seal to retain air-tightness class "C" (purchased separately).
- Made of polypropylene (PP) with thermoplastic elastomer (SEBS).
- Operating temperature: from -20 to +60 °C.

Dimensions [mm]	Ø d (inner)	H	L	W
BlauFast SR 150/63x18 51P	138	223	464	408
BlauFast SR 160/63x18 51P	148	223	464	408
BlauFast SR 200/63x18 51P	188	223	464	408



BlauFast SR 150/63x18 51P

Air capacity [m³/h]	Quantity of connected air ducts	Air supply, air resistance [Pa]	Air exhaust, air resistance [Pa]
25	1	9.1	10.1
50	2	9.6	10.5
75	3	10.3	11.3
100	4	11.3	12.4
125	5	12.6	13.9
150	6	14.2	15.6
175	7	16.1	17.7
200	8	18.2	20.1
225	9	20.7	22.8
250	10	23.4	25.8
275	11	26.5	29.1
300	12	29.8	32.8
325	13	33.4	36.8
350	14	37.3	41.0
375	15	41.5	45.7
400	16	46.0	50.6
425	17	50.7	55.8
450	18	55.8	61.4

BlauFast SR 160/63x18 51P

Air capacity [m³/h]	Quantity of connected air ducts	Air supply, air resistance [Pa]	Air exhaust, air resistance [Pa]
25	1	9.1	10.1
50	2	9.6	10.5
75	3	10.3	11.3
100	4	11.3	12.4
125	5	12.6	13.9
150	6	14.2	15.6
175	7	16.1	17.7
200	8	18.2	20.1
225	9	20.7	22.8
250	10	23.4	25.8
275	11	26.5	29.1
300	12	29.8	32.8
325	13	33.4	36.8
350	14	37.3	41.0
375	15	41.5	45.7
400	16	46.0	50.6
425	17	50.7	55.8
450	18	55.8	61.4

BlauFast SR 200/63x18 51P

Air capacity [m³/h]	Quantity of connected air ducts	Air supply, air resistance [Pa]	Air exhaust, air resistance [Pa]
25	1	9.1	10.0
50	2	9.4	10.4
75	3	9.9	10.9
100	4	10.6	11.7
125	5	11.6	12.7
150	6	12.7	14.0
175	7	14.0	15.4
200	8	15.6	17.1
225	9	17.3	19.1
250	10	19.3	21.2
275	11	21.4	23.6
300	12	23.8	26.2
325	13	26.4	29.0
350	14	29.1	32.1
375	15	32.1	35.3
400	16	35.3	38.8
425	17	38.7	42.6
450	18	42.3	46.5

CONNECTORS

CEILING-MOUNTED PLASTIC CONNECTOR BLAUFAST RPZ 125/63x3 01

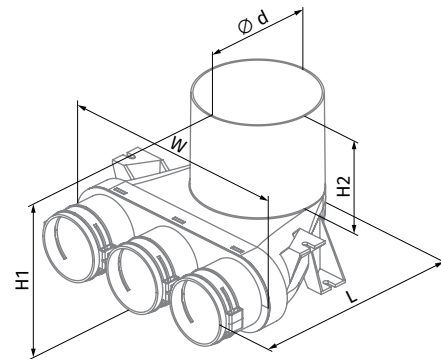
For supply and exhaust systems in residential premises.
Ceiling mounted.
Connecting the ventilation grille to \varnothing 63 mm ducts.



- Connection diameters: 63 and 125 mm.
- Ducts are fastened with **BlauFast S** locks, included in the delivery.
- The duct is fitted with **BlauFast RL 63** slip-on seal to retain air-tightness class "C" (purchased separately).
- Made of polypropylene (PP) with thermoplastic elastomer (SEBS).
- Operating temperature: from -20 to +60 °C.

Air flow [m ³ /h]	Quantity of connected air ducts	Air supply. Pressure drop [Pa]	Air exhaust. Pressure drop [Pa]
25	1	7.9	8.0
50	2	7.0	6.2
75	3	8.6	8.8

Dimensions [mm]	\varnothing d (inner)	H1	H2	L	W
BlauFast RPZ 125/63x3 01	127	183	100	243	266



FLOOR MOUNTED CONNECTOR BLAUFAST RPF 300x100/63x2 M

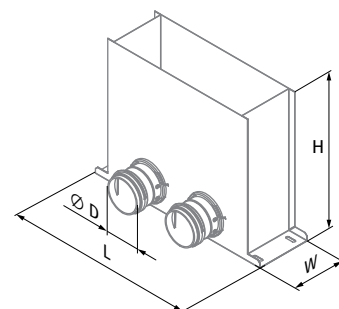
For supply or exhaust ventilation systems of residential spaces.
Floor mounted.
Connecting the floor ventilation grille to BlauFast ducts.



- The connector is made of metal and fitted with polypropylene spigots.
- Fixation of the BlauFast air duct with the **BlauFast RS** lock ring (included in the delivery).
- The **BlauFast RL** sealing ring (available as a special accessory) is used to provide airtightness class "C".

Air flow [m ³ /h]	Quantity of connected air ducts	Air supply. Pressure drop [Pa]	Air exhaust. Pressure drop [Pa]
25	1	11.9	10.5
50	2	12.6	11.5

Dimensions [mm]	\varnothing D	H	L	W
BlauFast RPF 300x100/63x2 M	72	300	401	115



FLOOR MOUNTED CONNECTOR

BLAUFAST RPF 300x100/63x3 M

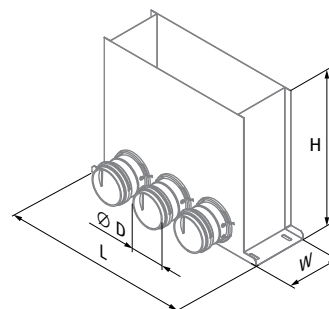
For supply or exhaust ventilation systems of residential spaces. Floor mounted. Connecting the floor ventilation grille to BlauFast ducts.



- The connector is made of metal and fitted with polypropylene spigots.
- Fixation of the BlauFast air duct with the **BlauFast RS** lock ring (included in the delivery).
- The **BlauFast RL** sealing ring (available as a special accessory) is used to provide airtightness class "C".

Air flow [m ³ /h]	Quantity of connected air ducts	Air supply. Pressure drop [Pa]	Air exhaust. Pressure drop [Pa]
25	1	11.5	9.5
50	2	12.0	10.6
75	3	12.5	11.4

Dimensions [mm]	Ø D	H	L	W
BlauFast RPF 300x100/63x3 M	72	300	401	115



WALL-MOUNTED CONNECTOR

BLAUFAST RPW 200x55/63x2 M

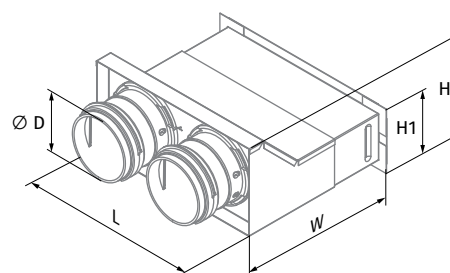
For supply or exhaust ventilation systems of residential spaces. Wall-mounted. Connecting the 200x55 wall ventilation grille to BlauFast ducts.



- The connector is made of metal and fitted with polypropylene spigots (included in the delivery).
- Fixation of the BlauFast air duct with the **BlauFast RS** lock ring (included in the delivery).
- The **BlauFast RL** sealing ring (available as a special accessory) is used to provide airtightness class "C".

Air flow [m ³ /h]	Quantity of connected air ducts	Air supply. Pressure drop [Pa]	Air exhaust. Pressure drop [Pa]
25	1	2.0	1.8
50	2	1.9	1.7

Dimensions [mm]	Ø D	H	H1	L	W
BlauFast RPW 200x55/63x2 M	72	112	75	204	177



WALL-MOUNTED CONNECTOR BLAUFAST RPW 300x55/63x3 M

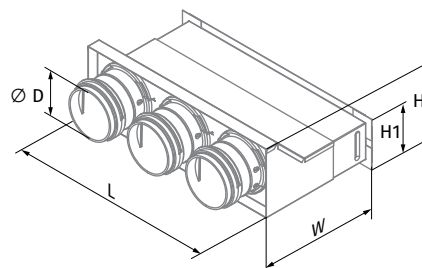
For supply or exhaust ventilation systems of residential spaces. Wall-mounted. Connecting the 200x55 wall ventilation grille to BlauFast ducts.



- The connector is made of metal and fitted with polypropylene spigots (included in the delivery).
- Fixation of the BlauFast air duct with the **BlauFast RS** lock ring (included in the delivery)
- The **BlauFast RL** sealing ring (available as a special accessory) is used to provide airtightness class "C".

Air flow [m³/h]	Quantity of connected air ducts	Air supply. Pressure drop [Pa]	Air exhaust. Pressure drop [Pa]
25	1	2.0	1.8
50	2	1.9	1.7
75	3	1.8	1.6

Dimensions [mm]	Ø D	H	H1	L	W
BlauFast RPW 300x55/63x3 M	72	112	75	304	172



WALL-MOUNTED METAL CONNECTOR BLAUFAST RPWB 200x55/63x2 M

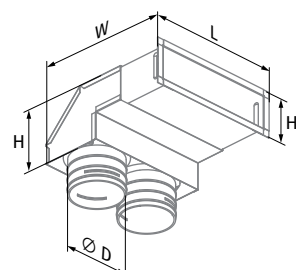
For supply or exhaust ventilation systems of residential spaces. Wall-mounted. Connecting the wall ventilation grille to BlauFast ducts.



- The connector is made of metal and fitted with polypropylene spigots (included in the delivery).
- Fixation of the BlauFast air duct with the **BlauFast RS** lock ring (included in the delivery)
- The **BlauFast RL** sealing ring (available as a special accessory) is used to provide airtightness class "C".

Air flow [m³/h]	Quantity of connected air ducts	Air supply. Pressure drop [Pa]	Air exhaust. Pressure drop [Pa]
25	1	1.8	1.8
50	2	2.3	2.0

Dimensions [mm]	Ø D	H	H1	L	W
BlauFast RPWB 200x55/63x2 M	72	110	75	225	237



WALL-MOUNTED METAL CONNECTOR BLAUFAST RPWB 300x55/63x3 M

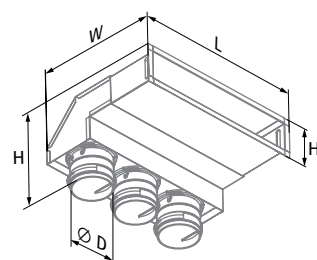
Supply or exhaust ventilation systems of residential spaces. Wall-mounted. Connecting the ventilation grille to Ø 63 mm ducts.



- The connector is made of metal and fitted with polypropylene spigots (included in the delivery).
- Fixation of the BlauFast air duct with the **BlauFast RS** lock ring (included in the delivery)
- The **BlauFast RL** sealing ring (available as a special accessory) is used to provide airtightness class "C".

Air flow [m³/h]	Quantity of connected air ducts	Air supply. Pressure drop [Pa]	Air exhaust. Pressure drop [Pa]
25	1	1.8	1.8
50	2	2.3	2.0
75	3	2.9	2.2

Dimensions [mm]	Ø D	H	H1	L	W
BlauFast RPWB 300x55/63x3 M	72	160	75	325	251



FITTINGS

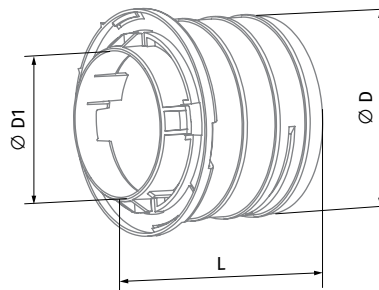
ROUND FLANGE BLAUFast RKF 63

For connection of the air ducts to the connectors and air distribution boxes.



- Fixation of the BlauFast air duct with the **BlauFast RS** lock ring (included in the delivery).
- The **BlauFast RL** sealing ring (available as a special accessory) is used to provide airtightness class "C".
- Made of polypropylene (PP) with thermoplastic elastomer (SEBS).
- Operation temperature from -20 up to +60 °C.

Dimensions [mm]	Ø D	Ø D1	L
BlauFast RKF 63	72	54	77



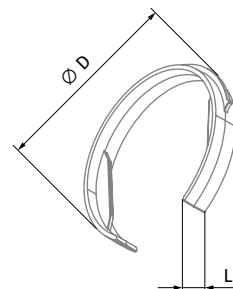
LOCK RING BLAUFast RS 63

For fixation of the air duct in the BlauFast RKF flange.



- Made of polypropylene (PP) with thermoplastic elastomer (SEBS).
- Operation temperature from -20 up to +60 °C.

Dimensions [mm]	Ø D	L
BlauFast RS 63	79	13



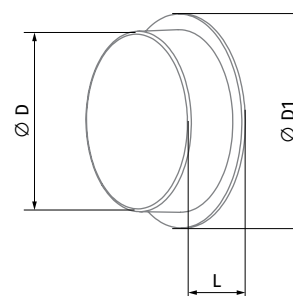
ROUND DUCT CAP BLAUFast RKP 63

For covering of the duct openings.



- Made of polypropylene (PP) with thermoplastic elastomer (SEBS).
- Operation temperature from -20 up to +60 °C.

Dimensions [mm]	Ø D	Ø D1	L
BlauFast RKP 63	51	63	20



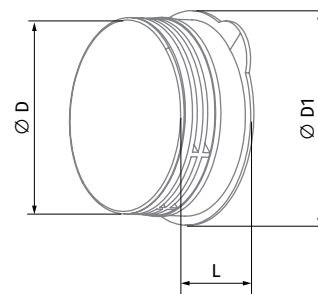
ROUND FLANGE CAP BLAUFAST RFP 63

For covering of unused flanges in the connectors.



- The **BlauFast RL** sealing ring (included in the delivery) is used to provide airtightness class "C".
- Made of polypropylene (PP) with thermoplastic elastomer (SEBS).
- Operation temperature from -20 up to +60 °C.

Dimensions [mm]	Ø D	Ø D1	L
BlauFast RFP 63	69	80	30



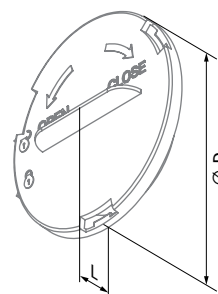
AIR DISTRIBUTION BOX CAP BLAUFAST RSP 63

For covering of unused openings in the air distribution boxes.



- The **BlauFast RL** sealing ring (included in the delivery) is used to provide airtightness class "C".
- Made of polypropylene (PP) with thermoplastic elastomer (SEBS).
- Operation temperature from -20 up to +60 °C.

Dimensions [mm]	Ø D	L
BlauFast RSP 63	84	29



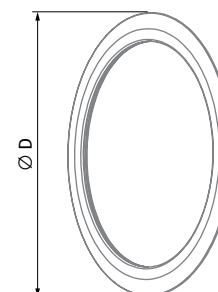
SEALING RING BLAUFAST RL 63

For sealing of air ducts Ø 63 mm and BlauFast RFP caps.



- The **BlauFast RL** sealing ring is used to provide airtightness class "C".
- Made of polypropylene (PP) with thermoplastic elastomer (SEBS).
- Operation temperature from -20 up to +60 °C.

Dimensions [mm]	Ø D
BlauFast RL 63	67



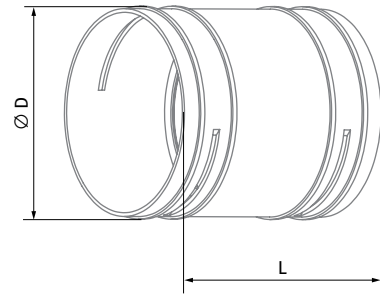
COUPLING SLEEVE BLAUFAST RM 63

For air supply or air exhaust systems in residential premises. For connection of the air ducts.



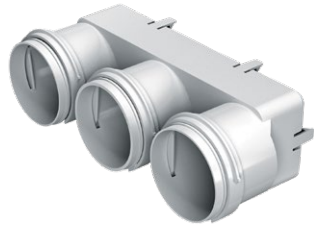
- Fixation of the BlauFast air duct with the **BlauFast RS** lock ring (included in the delivery).
- The **BlauFast RL** sealing ring (available as a special accessory) is used to provide airtightness class "C".
- Made of polypropylene (PP) with thermoplastic elastomer (SEBS).
- Operation temperature from -20 up to +60 °C.

Dimensions [mm]	Ø D	L
BlauFast RM 63	70	95



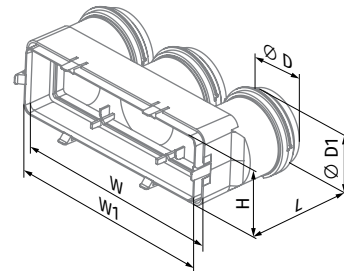
COUPLING SLEEVE BLAUFAST MH 63/204x60

For connection of BlauFast air ducts Ø 63 mm and BlauPlast FK 204x60 mm.



- Fixation of the BlauFast duct with the **BlauFast RS** lock ring (included in the delivery).
- The **BlauFast RL** sealing ring (available as a special accessory) is used to provide airtightness class "C".
- Made of polypropylene (PP) with thermoplastic elastomer (SEBS).
- Operation temperature from -20 up to +60 °C.

Dimensions [mm]	Ø D	Ø D1	H	L	W	W1
BlauFast MH 63/204x60	72	79	60	104	217	204



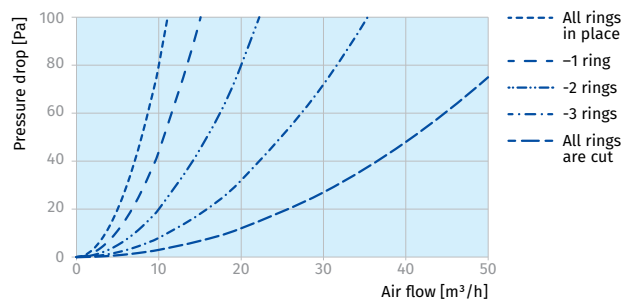
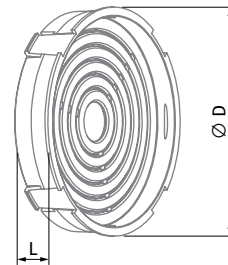
AIR FLOW RESTRICTOR BLAUFAST RD 63

Supply or exhaust ventilation systems of residential spaces. Adjusting the air flow in the duct.



- Inserted in the **BlauFast RKF** flanges from inside of the **BlauFast SR** air distribution box. Cut away unnecessary rings for air flow regulation.
- Made of polypropylene (PP) with thermoplastic elastomer (SEBS).
- Operation temperature from -20 up to +60 °C.

Dimensions [mm]	Ø D	L
BlauFast RD 63	50	14



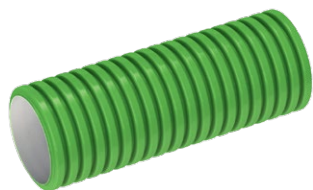
SYSTEM 75

DUCTS

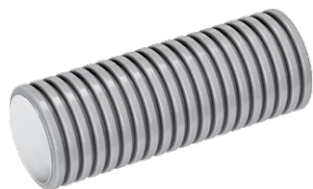
ROUND DUCT BLAUFAST RK 75



ROUND DUCT WITH ANTIBACTERIAL AND ANTISTATIC TREATMENT BLAUFAST RK 75 01



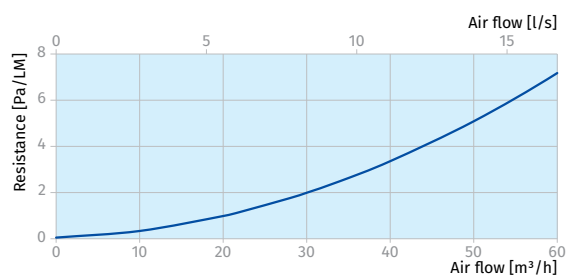
ROUND DUCT WITH ANTISTATIC TREATMENT BLAUFAST RK 75 02



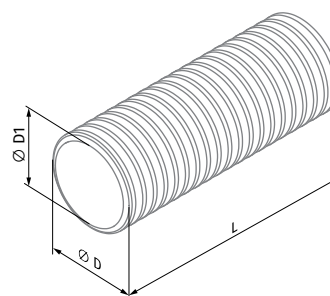
- Made of high-density polyethylene (HDPE).
- The bend radius is 150 mm.
- Circular density 8 kN/m² according to EN ISO 9969.
- Operating temperature: from -20 to +60 °C.
- Smooth inner surface for low air resistance and easy cleaning.

Air speed through the cross-section [m/s]	2	2.5	3
1 duct – air flow [m ³ /h]	22	28	34
2 ducts – air flow [m ³ /h]	45	56	67

Duct length [m]	Duct resistance [Pa]		
2	2.3	3.5	5.0
4	4.6	7.0	10.0
6	6.9	10.6	15.0
8	9.3	14.1	20.0
10	11.6	17.6	24.9
12	13.9	21.1	29.9
14	16.2	24.7	34.9
16	18.5	28.2	39.9
18	20.8	31.7	44.9



Dimensions [mm]	Ø D	Ø D1	L [m]
BlauFast RK 75/50	75	63	50
BlauFast RK 75/50 01	75	63	50
BlauFast RK 75/50 02	75	63	50



AIR DISTRIBUTION BOXES

METAL AIR DISTRIBUTION BOX BLAUFAST SR 125/75x2 01

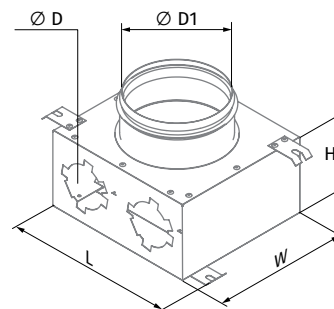
Supply or exhaust ventilation systems of residential spaces. For distribution of air from the ventilation unit through the air ducts.



- Made of aluzinc coated steel.
- The main air duct flange is sealed with a rubber gasket.
- Air duct connection through matching flanges **BlauFast RKF** (purchased separately).
- Unused openings must be capped with **BlauFast RSP**.

Air capacity [m³/h]	Quantity of connected air ducts	Air supply, air resistance [Pa]	Air exhaust, air resistance [Pa]
30	1	4.3	4.7
60	2	5.1	5.6

Dimensions [mm]	Ø D	Ø D1	H	L	W
BlauFast SR 125/75x2 01	67	124	100	196	178



PLASTIC AIR DISTRIBUTION BOX BLAUFAST SR 125/75x2 50P

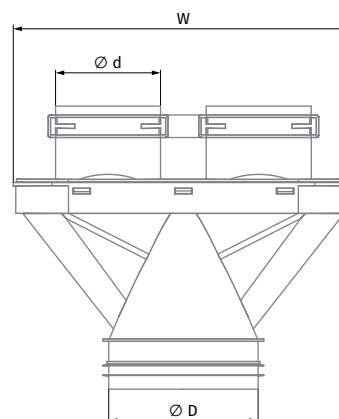
For supply and exhaust systems in residential premises. Distribution of air from the ventilation unit through the ducts.



- Connection diameter: 75 mm.
- Ducts are fastened with **BlauFast S** locks, included in the delivery.
- The duct is fitted with **BlauFast RL 75** slip-on seal to retain air-tightness class "C" (purchased separately).
- Made of polypropylene (PP) with thermoplastic elastomer (SEBS).
- Operating temperature: from -20 to +60 °C.

Air capacity [m³/h]	Quantity of connected air ducts	Air supply, air resistance [Pa]	Air exhaust, air resistance [Pa]
30	1	4.3	4.7
60	2	5.1	5.6

Dimensions [mm]	Ø D	Ø d	W
BlauFast SR 125/75x2 50P	125	75	271



PLASTIC AIR DISTRIBUTION BOX BLAUFAST SR 125/75x3 50P

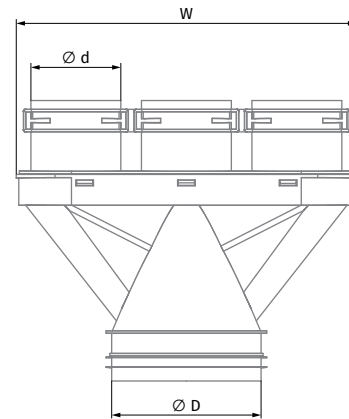
For supply and exhaust systems in residential premises. Distribution of air from the ventilation unit through the ducts.



- Connection diameter: 75 mm.
- Ducts are fastened with **BlauFast S** locks, included in the delivery.
- The duct is fitted with **BlauFast RL 75** slip-on seal to retain air-tightness class "C" (purchased separately).
- Made of polypropylene (PP) with thermoplastic elastomer (SEBS).
- Operating temperature: from -20 to +60 °C.

Air capacity [m³/h]	Quantity of connected air ducts	Air supply, air resistance [Pa]	Air exhaust, air resistance [Pa]
30	1	9.6	10.7
60	2	11.5	12.8
90	3	13.8	15.4

Dimensions [mm]	∅ D	∅ d	W
BlauFast SR 125/75x3 50P	125	75	276



METAL AIR DISTRIBUTION BOX BLAUFAST SR 125/75x6 01

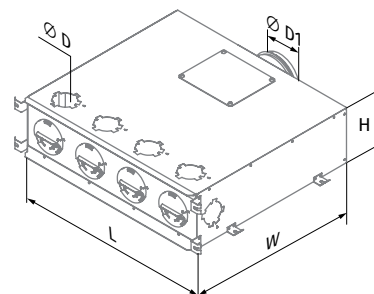
Supply or exhaust ventilation systems of residential spaces. For distribution of air from the ventilation unit through the air ducts.



- Made of aluzinc coated steel.
- The main air duct flange is sealed with a rubber gasket.
- Air duct connection through matching flanges **BlauFast RKF** (purchased separately).
- Unused openings must be capped with **BlauFast RSP**.
- Internally sound-insulated.

Air capacity [m³/h]	Quantity of connected air ducts	Air supply, air resistance [Pa]	Air exhaust, air resistance [Pa]
30	1	4.3	4.7
60	2	5.2	5.7
90	3	6.7	7.4
120	4	8.9	9.8
150	5	11.6	12.8
180	6	14.9	16.4

Dimensions [mm]	∅ D	∅ D1	H	L	W
BlauFast SR 125/75x6 01	67	124	162	554	470



**METAL AIR
DISTRIBUTION BOX
BLAUFAST SR 125/75x6 02**

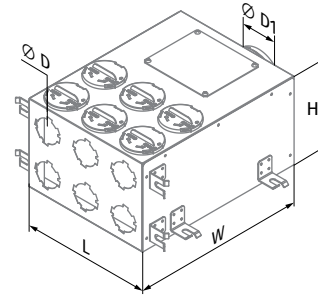
Supply or exhaust ventilation systems of residential spaces. For distribution of air from the ventilation unit through the air ducts.



- Made of aluzinc coated steel.
- The main air duct flange is sealed with a rubber gasket.
- Air duct connection through matching flanges **BlauFast RKF** (purchased separately).
- Unused openings must be capped with **BlauFast RSP**.
- Internally sound-insulated.

Air flow [m ³ /h]	Quantity of connected air ducts	Air supply, Pressure drop [Pa]	Air exhaust, Pressure drop [Pa]
30	1	4.3	4.7
60	2	5.2	5.7
90	3	6.7	7.4
120	4	8.9	9.8
150	5	11.6	12.8
180	6	14.9	16.4

Dimensions [mm]	∅ D	∅ D1	H	L	W
BlauFast SR 125/75x6 02	67	124	202	300	400



**METAL AIR
DISTRIBUTION BOX
BLAUFAST SR 125/75x6 03**

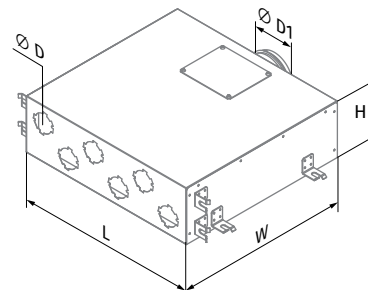
Supply or exhaust ventilation systems of residential spaces. For distribution of air from the ventilation unit through the air ducts.



- Made of aluzinc coated steel.
- The main air duct flange is sealed with a rubber gasket.
- Air duct connection through matching flanges **BlauFast RKF** (purchased separately).
- Unused openings must be capped with **BlauFast RSP**.
- Internally sound-insulated.

Air capacity [m ³ /h]	Quantity of connected air ducts	Air supply, air resistance [Pa]	Air exhaust, air resistance [Pa]
30	1	4.3	4.7
60	2	5.2	5.7
90	3	6.7	7.4
120	4	8.9	9.8
150	5	11.6	12.8
180	6	14.9	16.4

Dimensions [mm]	∅ D	∅ D1	H	L	W
BlauFast SR 125/75x6 03	65	124	162	530	500



PLASTIC AIR DISTRIBUTION BOX BLAUFAST SR 125/75x6 50P

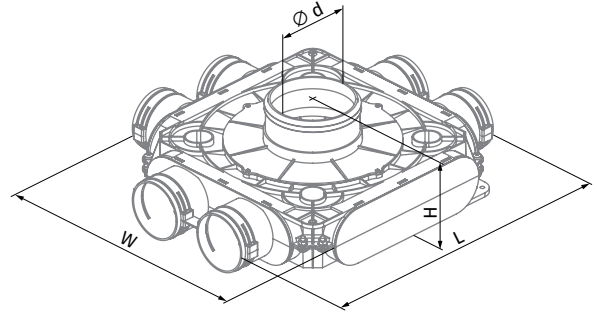
Supply or exhaust ventilation systems of residential spaces. For distribution of air from the ventilation unit through the air ducts.



- Connection diameter: 75 mm.
- Ducts are fastened with **BlauFast S** locks, included in the delivery.
- The duct is fitted with **BlauFast RL 75** slip-on seal to retain air-tightness class "C" (purchased separately).
- Made of polypropylene (PP) with thermoplastic elastomer (SEBS).
- Operating temperature: from -20 to +60 °C.

Air flow [m³/h]	Quantity of connected air ducts	Air supply. Pressure drop [Pa]	Air exhaust. Pressure drop [Pa]
30	1	4.3	4.8
60	2	5.3	5.8
90	3	7.0	7.6
120	4	9.2	10.2
150	5	12.2	13.4
180	6	15.8	17.4

Dimensions [mm]	Ø d (inner)	H	L	W
BlauFast SR 125/75x6 50P	113	140	468	410



PLASTIC AIR DISTRIBUTION BOX BLAUFAST SR 125/75x6 51P

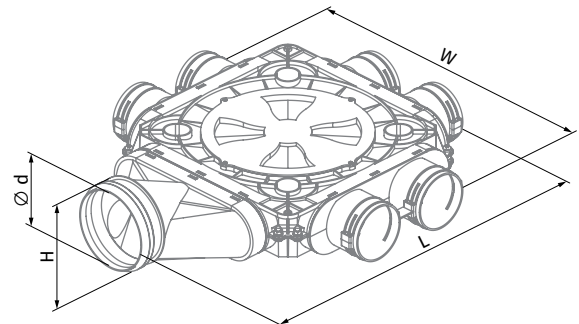
For supply and exhaust systems in residential premises. Distribution of air from the ventilation unit through the ducts.



- Connection diameter: 75 mm.
- Ducts are fastened with **BlauFast S** locks, included in the delivery.
- The duct is fitted with **BlauFast RL 75** slip-on seal to retain air-tightness class "C" (purchased separately).
- Made of polypropylene (PP) with thermoplastic elastomer (SEBS).
- Operating temperature: from -20 to +60 °C.

Air flow [m³/h]	Quantity of connected air ducts	Air supply. Pressure drop [Pa]	Air exhaust. Pressure drop [Pa]
30	1	9.6	10.7
60	2	11.5	12.8
90	3	13.8	15.4
120	4	16.5	18.5
150	5	19.8	22.2
180	6	23.8	26.6

Dimensions [mm]	Ø d (inner)	H	L	W
BlauFast SR 125/75x6 51P	113	128	574	468



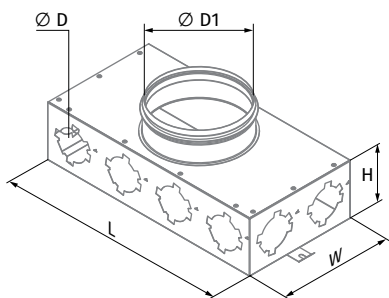
METAL AIR DISTRIBUTION BOX
BLAUFast SR 150/75x8 01
BLAUFast SR 160/75x8 01

Supply or exhaust ventilation systems of residential spaces. For distribution of air from the ventilation unit through the air ducts.



- Made of aluzinc coated steel.
- The main air duct flange is sealed with a rubber gasket.
- Air duct connection through matching flanges **BlauFast RKF** (purchased separately).
- Unused openings must be capped with **BlauFast RSP**.

Dimensions [mm]	Ø D	Ø D1	H	L	W
BlauFast SR 150/75x8 01	67	149	100	400	200
BlauFast SR 160/75x8 01	65	159	100	400	200



BlauFast SR 150/75x8 01

Air capacity [m³/h]	Quantity of connected air ducts	Air supply, air resistance [Pa]	Air exhaust, air resistance [Pa]
30	1	4.2	4.6
60	2	4.8	5.3
90	3	5.9	6.5
120	4	7.3	8.1
150	5	9.2	10.1
180	6	11.5	12.6
210	7	14.2	15.6
240	8	17.3	19.0

BlauFast SR 160/75x8 01

Air capacity [m³/h]	Quantity of connected air ducts	Air supply, air resistance [Pa]	Air exhaust, air resistance [Pa]
30	1	4.2	4.6
60	2	4.8	5.3
90	3	5.9	6.5
120	4	7.3	8.1
150	5	9.2	10.1
180	6	11.5	12.6
210	7	14.2	15.6
240	8	17.3	19.0

METAL AIR DISTRIBUTION BOX
BLAUFast SR 160/75x8 02

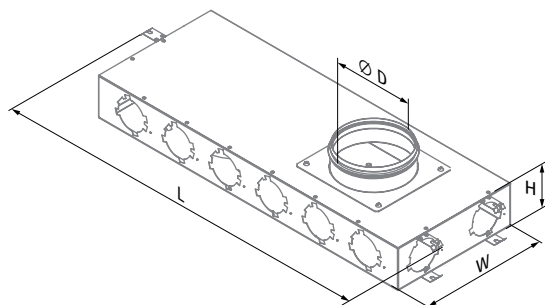
Supply or exhaust ventilation systems of residential spaces. To distribute air from the air handling unit.



- The main air duct flange is sealed with a rubber gasket.
- Air duct connection through matching flanges **BlauFast RKF** (purchased separately).
- Made of steel with aluzinc coating.

Air capacity [m³/h]	Quantity of connected air ducts	Air supply, air resistance [Pa]	Air exhaust, air resistance [Pa]
30	1	4.2	4.6
60	2	4.8	5.3
90	3	5.9	6.5
120	4	7.3	8.1
150	5	9.2	10.1
180	6	11.5	12.6
210	7	14.2	15.6
240	8	17.3	19.0

Dimensions [mm]	Ø D	H	L	W
BlauFast SR 160/75x8 02	165	90	828	290



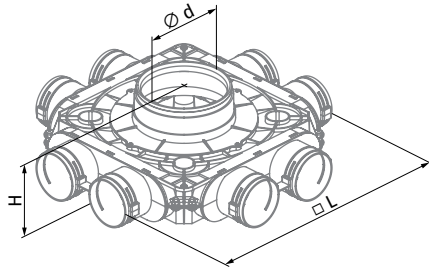
PLASTIC AIR DISTRIBUTION BOX
BLAUFAST SR 150/75x8 50P
BLAUFAST SR 160/75x8 50P



For supply and exhaust systems in residential premises. Distribution of air from the ventilation unit through the ducts.

- Connection diameter: 75 mm.
- Ducts are fastened with **BlauFast S** locks, included in the delivery.
- The duct is fitted with **BlauFast RL 75** slip-on seal to retain air-tightness class "C" (purchased separately).
- Made of polypropylene (PP) with thermoplastic elastomer (SEBS).
- Operating temperature: from -20 to +60 °C.

Dimensions [mm]	Ø d1 (inner)	H	L
BlauFast SR 150/75x8 50P	138	140	468
BlauFast SR 160/75x8 50P	148	140	468



BlauFast SR 150/75x8 50P

Air capacity [m³/h]	Quantity of connected air ducts	Air supply, air resistance [Pa]	Air exhaust, air resistance [Pa]
30	1	4.2	4.6
60	2	4.8	5.3
90	3	5.9	6.5
120	4	7.3	8.1
150	5	9.2	10.1
180	6	11.5	12.6
210	7	14.2	15.6
240	8	17.3	19.0

BlauFast SR 160/75x8 50P

Air capacity [m³/h]	Quantity of connected air ducts	Air supply, air resistance [Pa]	Air exhaust, air resistance [Pa]
30	1	4.2	4.6
60	2	4.8	5.3
90	3	5.9	6.5
120	4	7.3	8.1
150	5	9.2	10.1
180	6	11.5	12.6
210	7	14.2	15.6
240	8	17.3	19.0

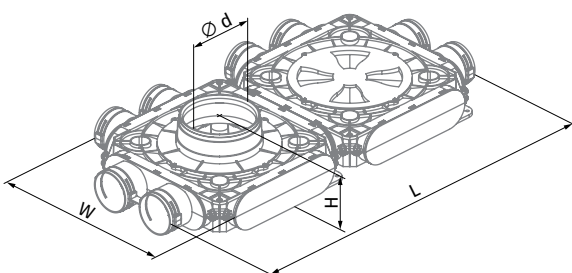
PLASTIC AIR DISTRIBUTION BOX
BLAUFAST SR 150/75x8 51P
BLAUFAST SR 160/75x8 51P



For supply and exhaust systems in residential premises. Distribution of air from the ventilation unit through the ducts.

- Connection diameter: 75 mm.
- Ducts are fastened with **BlauFast S** locks, included in the delivery.
- The duct is fitted with **BlauFast RL 75** slip-on seal to retain air-tightness class "C" (purchased separately).
- Made of polypropylene (PP) with thermoplastic elastomer (SEBS).
- Operating temperature: from -20 to +60 °C.

Dimensions [mm]	Ø d (inner)	H	L	W
BlauFast SR 150/75x8 51P	138	140	817	410
BlauFast SR 160/75x8 51P	148	140	817	410



BlauFast SR 150/75x8 51P

Air capacity [m³/h]	Quantity of connected air ducts	Air supply, air resistance [Pa]	Air exhaust, air resistance [Pa]
30	1	4.2	4.6
60	2	4.8	5.3
90	3	5.9	6.5
120	4	7.3	8.1
150	5	9.2	10.1
180	6	11.5	12.6
210	7	14.2	15.6
240	8	17.3	19.0

BlauFast SR 160/75x8 51P

Air capacity [m³/h]	Quantity of connected air ducts	Air supply, air resistance [Pa]	Air exhaust, air resistance [Pa]
30	1	4.2	4.6
60	2	4.8	5.3
90	3	5.9	6.5
120	4	7.3	8.1
150	5	9.2	10.1
180	6	11.5	12.6
210	7	14.2	15.6
240	8	17.3	19.0

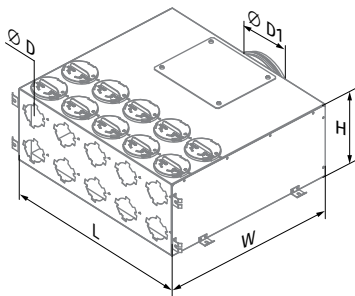
METAL AIR DISTRIBUTION BOX
BLAUFast SR 150/75x10 01
BLAUFast SR 160/75x10 01
BLAUFast SR 200/75x10 01

Supply or exhaust ventilation systems of residential spaces. For distribution of air from the ventilation unit through the air ducts.



- Made of aluzinc coated steel.
- The main air duct flange is sealed with a rubber gasket.
- Air duct connection through matching flanges **BlauFast RKF** (purchased separately).
- Unused openings must be capped with **BlauFast RSP**.
- Internally sound-insulated.

Dimensions [mm]	∅ D	∅ D1	H	L	W
BlauFast SR 160/75x10 01	67	149	202	500	500
BlauFast SR 160/75x10 01	67	159	202	500	500
BlauFast SR 160/75x10 01	67	199	202	500	500



BlauFast SR 150/75x10 01

Air capacity [m³/h]	Quantity of connected air ducts	Air supply, air resistance [Pa]	Air exhaust, air resistance [Pa]
30	1	4.2	4.6
60	2	4.7	5.2
90	3	5.7	6.2
120	4	6.9	7.6
150	5	8.6	9.5
180	6	10.6	11.7
210	7	13.0	14.3
240	8	15.8	17.4
270	9	18.9	20.8
300	10	22.4	24.6

BlauFast SR 160/75x10 01

Air capacity [m³/h]	Quantity of connected air ducts	Air supply, air resistance [Pa]	Air exhaust, air resistance [Pa]
30	1	4.2	4.6
60	2	4.7	5.2
90	3	5.7	6.2
120	4	6.9	7.6
150	5	8.6	9.5
180	6	10.6	11.7
210	7	13.0	14.3
240	8	15.8	17.4
270	9	18.9	20.8
300	10	22.4	24.6

BlauFast SR 200/75x10 01

Air capacity [m³/h]	Quantity of connected air ducts	Air supply, air resistance [Pa]	Air exhaust, air resistance [Pa]
30	1	4.1	4.5
60	2	4.5	4.9
90	3	5.1	5.6
120	4	6.0	6.6
150	5	7.1	7.8
180	6	8.5	9.3
210	7	10.1	11.1
240	8	11.9	13.1
270	9	14.0	15.4
300	10	16.4	18.0

METAL AIR DISTRIBUTION BOX
BLAUFast SR 160/75x12 01

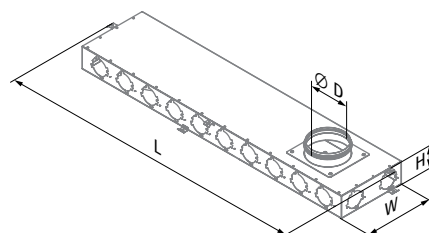
Supply or exhaust ventilation systems of residential spaces. For distribution of air from the ventilation unit through the air ducts.



- The main air duct flange is sealed with a rubber gasket.
- Air duct connection through matching flanges **BlauFast RKF** (purchased separately).
- Made of steel with aluzinc coating.

Air capacity [m³/h]	Quantity of connected air ducts	Air supply, air resistance [Pa]	Air exhaust, air resistance [Pa]
30	1	6.1	5.9
60	2	5.8	5.5
90	3	5.6	5.3
120	4	5.3	5.1
150	5	5.0	4.8
180	6	4.6	4.4
210	7	4.0	3.7
240	8	3.4	3.1
270	9	2.5	2.0
300	10	1.6	1.1
330	11	0.8	0.5
360	12	0.2	0.1

Dimensions [mm]	∅ D	H	L	W
BlauFast SR 160/75x12 01	160	107	1308	290



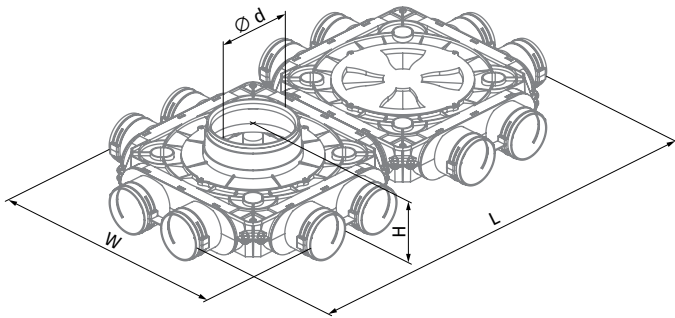
PLASTIC AIR
DISTRIBUTION BOX
BLAUFAST SR 150/75x12 50P
BLAUFAST SR 160/75x12 50P
BLAUFAST SR 200/75x12 50P



For supply and exhaust systems in residential premises. Distribution of air from the ventilation unit through the ducts.

- Connection diameter: 75 mm.
- Ducts are fastened with **BlauFast S** locks, included in the delivery.
- The duct is fitted with **BlauFast RL 75** slip-on seal to retain air-tightness class "C" (purchased separately).
- Made of polypropylene (PP) with thermoplastic elastomer (SEBS).
- Operating temperature: from -20 to +60 °C.

Dimensions [mm]	∅ d (inner)	H	L	W
BlauFast SR 150/75x12 50P	138	140	817	468
BlauFast SR 160/75x12 50P	148	140	817	468
BlauFast SR 200/75x12 50P	188	140	817	468



BlauFast SR 150/75x12 50P

Air capacity [m³/h]	Quantity of connected air ducts	Air supply, air resistance [Pa]	Air exhaust, air resistance [Pa]
30	1	4.2	4.6
60	2	4.8	5.3
90	3	5.9	6.5
120	4	7.3	8.1
150	5	9.2	10.1
180	6	11.5	12.6
210	7	14.2	15.6
240	8	17.3	19.0
270	9	20.8	22.9
300	10	24.8	27.3
330	11	29.2	32.1
360	12	34.0	37.3

BlauFast SR 160/75x12 50P

Air capacity [m³/h]	Quantity of connected air ducts	Air supply, air resistance [Pa]	Air exhaust, air resistance [Pa]
30	1	4.2	4.6
60	2	4.8	5.3
90	3	5.9	6.5
120	4	7.3	8.1
150	5	9.2	10.1
180	6	11.5	12.6
210	7	14.2	15.6
240	8	17.3	19.0
270	9	20.8	22.9
300	10	24.8	27.3
330	11	29.2	32.1
360	12	34.0	37.3

BlauFast SR 200/75x12 50P

Air capacity [m³/h]	Quantity of connected air ducts	Air supply, air resistance [Pa]	Air exhaust, air resistance [Pa]
30	1	4.1	4.6
60	2	4.6	5.1
90	3	5.3	5.9
120	4	6.4	7.0
150	5	7.7	8.5
180	6	9.3	10.3
210	7	11.3	12.4
240	8	13.5	14.8
270	9	16.0	17.6
300	10	18.8	20.7
330	11	21.9	24.1
360	12	25.3	27.8

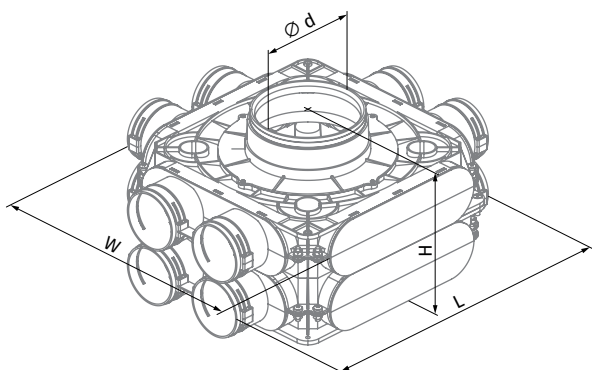
**PLASTIC AIR
DISTRIBUTION BOX**
BLAUFAST SR 150/75x12 51P
BLAUFAST SR 160/75x12 51P
BLAUFAST SR 200/75x12 51P



For supply and exhaust systems in residential premises. Distribution of air from the ventilation unit through the ducts.

- Connection diameter: 75 mm.
- Ducts are fastened with **BlauFast S** locks, included in the delivery.
- The duct is fitted with **BlauFast RL 75** slip-on seal to retain air-tightness class "C" (purchased separately).
- Made of polypropylene (PP) with thermoplastic elastomer (SEBS).
- Operating temperature: from -20 to +60 °C.

Dimensions [mm]	∅ d (inner)	H	L	W
BlauFast SR 150/75x12 51P	138	223	468	410
BlauFast SR 160/75x12 51P	148	223	468	410
BlauFast SR 200/75x12 51P	188	223	468	410



BlauFast SR 150/75x12 51P

Air capacity [m³/h]	Quantity of connected air ducts	Air supply, air resistance [Pa]	Air exhaust, air resistance [Pa]
30	1	4.2	4.6
60	2	4.8	5.3
90	3	5.9	6.5
120	4	7.3	8.1
150	5	9.2	10.1
180	6	11.5	12.6
210	7	14.2	15.6
240	8	17.3	19.0
270	9	20.8	22.9
300	10	24.8	27.3
330	11	29.2	32.1
360	12	34.0	37.3

BlauFast SR 160/75x12 51P

Air capacity [m³/h]	Quantity of connected air ducts	Air supply, air resistance [Pa]	Air exhaust, air resistance [Pa]
30	1	4.2	4.6
60	2	4.8	5.3
90	3	5.9	6.5
120	4	7.3	8.1
150	5	9.2	10.1
180	6	11.5	12.6
210	7	14.2	15.6
240	8	17.3	19.0
270	9	20.8	22.9
300	10	24.8	27.3
330	11	29.2	32.1
360	12	34.0	37.3

BlauFast SR 200/75x12 51P

Air capacity [m³/h]	Quantity of connected air ducts	Air supply, air resistance [Pa]	Air exhaust, air resistance [Pa]
30	1	4.1	4.6
60	2	4.6	5.1
90	3	5.3	5.9
120	4	6.4	7.0
150	5	7.7	8.5
180	6	9.3	10.3
210	7	11.3	12.4
240	8	13.5	14.8
270	9	16.0	17.6
300	10	18.8	20.7
330	11	21.9	24.1
360	12	25.3	27.8

METAL AIR DISTRIBUTION BOX BLAUFAST SR 200/75x15 01

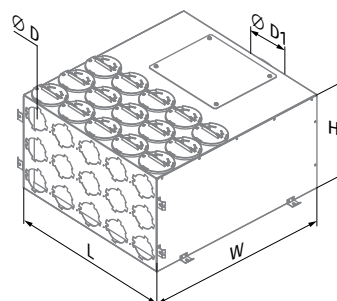
Supply or exhaust ventilation systems of residential spaces. For distribution of air from the ventilation unit through the air ducts.



- Made of aluzinc coated steel.
- The main air duct flange is sealed with a rubber gasket.
- Air duct connection through matching flanges **BlauFast RKF** (purchased separately).
- Unused openings must be capped with **BlauFast RSP**.
- Internally sound-insulated.

Air capacity [m³/h]	Quantity of connected air ducts	Air supply, air resistance [Pa]	Air exhaust, air resistance [Pa]
30	1	4.1	4.5
60	2	4.5	4.9
90	3	5.1	5.6
120	4	6.0	6.6
150	5	7.1	7.8
180	6	8.5	9.3
210	7	10.1	11.1
240	8	11.9	13.1
270	9	14.0	15.4
300	10	16.4	18.0
330	11	19.0	20.9
360	12	21.9	24.0
390	13	25.0	27.5
420	14	28.3	31.1
450	15	31.9	35.1

Dimensions [mm]	Ø D	Ø D1	H	L	W
BlauFast SR 200/75x15 01	67	199	302	500	600



CONNECTORS

CEILING-MOUNTED PLASTIC CONNECTOR BLAUFAST RPZ 125/75x2 01

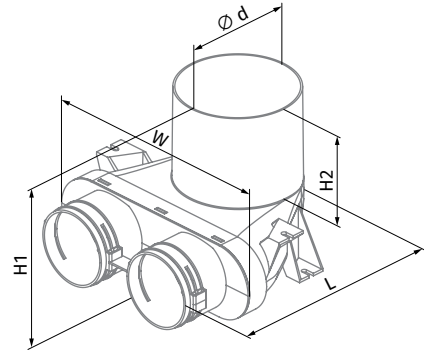
For supply and exhaust systems in residential premises.
Ceiling mounted.
Connecting the ventilation grille to \varnothing 75 mm ducts.



- Connection diameters: 75 mm.
- Ducts are fastened with **BlauFast S** locks, included in the delivery.
- The duct is fitted with **BlauFast RL 75** slip-on seal to retain air-tightness class "C" (purchased separately).
- Made of polypropylene (PP) with thermoplastic elastomer (SEBS).
- Operating temperature: from -20 to +60 °C.

Air flow [m ³ /h]	Quantity of connected air ducts	Air supply. Pressure drop [Pa]	Air exhaust. Pressure drop [Pa]
30	1	3.2	4.0
60	2	3.9	5.0

Dimensions [mm]	\varnothing d (inner)	H1	H2	L	W
BlauFast RPZ 125/75x2 01	127	183	100	243	266



FLOOR MOUNTED CONNECTOR BLAUFAST RPF 300x100/75x2 M

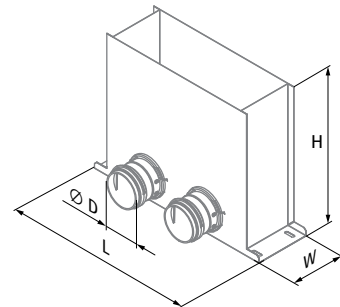
For supply or exhaust ventilation systems of residential spaces.
Floor mounted.
Connecting the floor ventilation grille to BlauFast ducts.



- The connector is made of metal and fitted with polypropylene spigots.
- Fixation of the BlauFast air duct with the **BlauFast RS** lock ring (included in the delivery).
- The **BlauFast RL** sealing ring (available as a special accessory) is used to provide airtightness class "C".

Air flow [m ³ /h]	Quantity of connected air ducts	Air supply. Pressure drop [Pa]	Air exhaust. Pressure drop [Pa]
30	1	6.7	5.1
60	2	7.5	6.3

Dimensions [mm]	\varnothing D	H	L	W
BlauFast RPF 300x100/75x2 M	84	300	401	115



FLOOR MOUNTED CONNECTOR BLAUFAST RPF 300x100/75x3 M

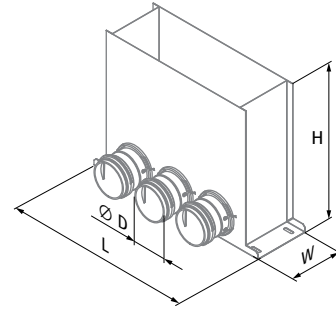
For supply or exhaust ventilation systems of residential spaces.
Floor mounted.
Connecting the floor ventilation grille to BlauFast ducts.



- The connector is made of metal and fitted with polypropylene spigots.
- Fixation of the BlauFast air duct with the **BlauFast RS** lock ring (included in the delivery).
- The **BlauFast RL** sealing ring (available as a special accessory) is used to provide airtightness class "C".

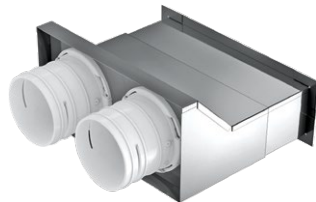
Air flow [m³/h]	Quantity of connected air ducts	Air supply. Pressure drop [Pa]	Air exhaust. Pressure drop [Pa]
30	1	6.2	3.8
60	2	6.8	5.2
90	3	7.4	6.2

Dimensions [mm]	Ø D	H	L	W
BlauFast RPF 300x100/75x3 M	84	300	401	116



WALL-MOUNTED CONNECTOR BLAUFAST RPW 200x55/75x2 M

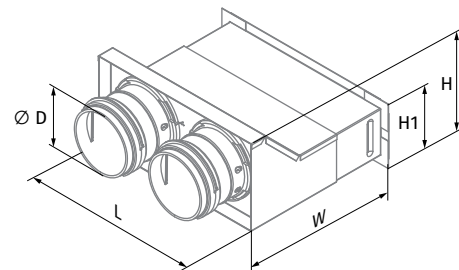
For supply or exhaust ventilation systems of residential spaces.
Wall-mounted.
Connecting the 200x55 wall ventilation grille to BlauFast ducts.



- The connector is made of metal and fitted with polypropylene spigots (included in the delivery).
- The **BlauFast RL** sealing ring (available as a special accessory) is used to provide airtightness class "C".

Air flow [m³/h]	Quantity of connected air ducts	Air supply. Pressure drop [Pa]	Air exhaust. Pressure drop [Pa]
30	1	2.8	2.6
60	2	2.7	2.4

Dimensions [mm]	Ø D	H	H1	L	W
BlauFast RPW 200x55/75x2 M	84	112	75	204	177



WALL-MOUNTED METAL CONNECTOR
BLAUFAST
RPWB 200x55/75x2 M

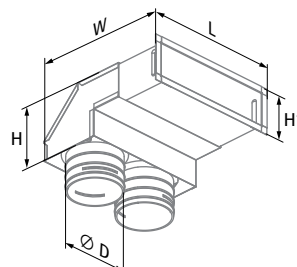
For supply or exhaust ventilation systems of residential spaces.
 Wall-mounted.
 Connecting the wall ventilation grille to BlauFast ducts.



- The connector is made of metal and fitted with polypropylene spigots (included in the delivery).
- The **BlauFast RL** sealing ring (available as a special accessory) is used to provide airtightness class "C".

Air flow [m ³ /h]	Quantity of connected air ducts	Air supply. Pressure drop [Pa]	Air exhaust. Pressure drop [Pa]
30	1	2.5	2.5
60	2	3.3	2.9

Dimensions [mm]	Ø D	H	H1	L	W
BlauFast RPWB 200x55/75x2 M	84	110	75	225	237



FITTINGS

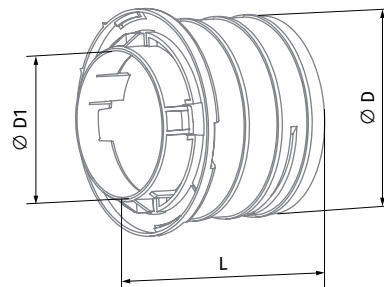
ROUND FLANGE BLAUFAST RKF 75

For connection of the air ducts to the connectors and air distribution boxes.



- Fixation of the BlauFast air duct with the **BlauFast RS** lock ring (included in the delivery).
- The **BlauFast RL** sealing ring (available as a special accessory) is used to provide airtightness class "C".
- Made of polypropylene (PP) with thermoplastic elastomer (SEBS).
- Operation temperature from -20 up to +60 °C.

Dimensions [mm]	Ø D	Ø D1	L
BlauFast RKF 75	84	66	77



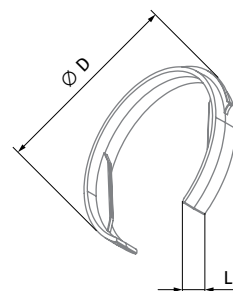
LOCK RING BLAUFAST RS 75

For fixation of the air duct in the BlauFast RKF flange.



- Made of polypropylene (PP) with thermoplastic elastomer (SEBS).
- Operation temperature from -20 up to +60 °C.

Dimensions [mm]	Ø D	L
BlauFast RS 75	91	13



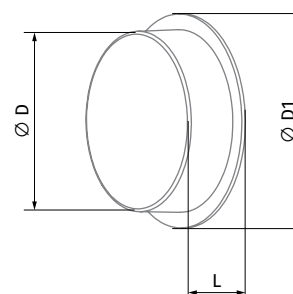
ROUND DUCT CAP BLAUFAST RKP 75

For covering of the duct openings.



- Made of polypropylene (PP) with thermoplastic elastomer (SEBS).
- Operation temperature from -20 up to +60 °C.

Dimensions [mm]	Ø D	Ø D1	L
BlauFast RKP 75	63	75	20



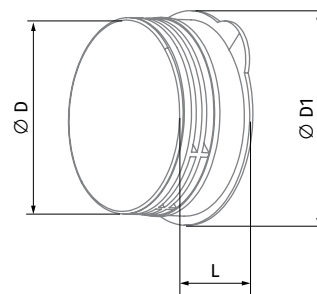
ROUND FLANGE CAP BLAUFAST RFP 75

For covering of unused flanges in the connectors.



- The **BlauFast RL** sealing ring (included in the delivery) is used to provide airtightness class "C".
- Made of polypropylene (PP) with thermoplastic elastomer (SEBS).
- Operation temperature from -20 up to +60 °C.

Dimensions [mm]	Ø D	Ø D1	L
BlauFast RFP 75	77	95	32



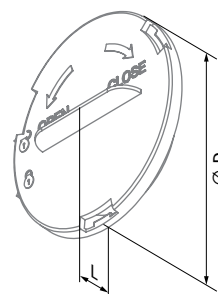
AIR DISTRIBUTION BOX CAP BLAUFAST RSP 75

For covering of unused openings in the air distribution boxes.



- The **BlauFast RL** sealing ring (included in the delivery) is used to provide airtightness class "C".
- Made of polypropylene (PP) with thermoplastic elastomer (SEBS).
- Operation temperature from -20 up to +60 °C.

Dimensions [mm]	Ø D	L
BlauFast RSP 75	96	29



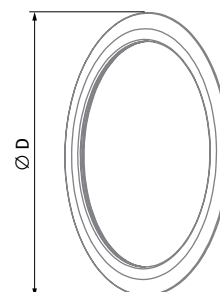
SEALING RING BLAUFAST RL 75

For sealing of air ducts Ø 75 mm and BlauFast RFP caps.



- The **BlauFast RL** sealing ring is used to provide airtightness class "C".
- Made of polypropylene (PP) with thermoplastic elastomer (SEBS).
- Operation temperature from -20 up to +60 °C.

Dimensions [mm]	Ø D
BlauFast RL 75	79



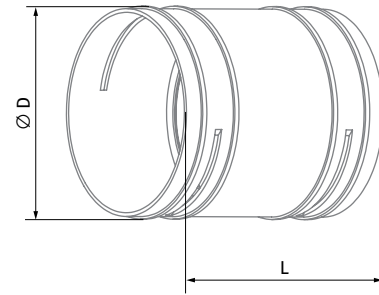
COUPLING SLEEVE BLAUFAST RM 75

For air supply or air exhaust systems in residential premises. For connection of the air ducts.



- Fixation of the BlauFast air duct with the **BlauFast RS** lock ring (included in the delivery).
- The **BlauFast RL** sealing ring (available as a special accessory) is used to provide airtightness class "C".
- Made of polypropylene (PP) with thermoplastic elastomer (SEBS).
- Operation temperature from -20 up to +60 °C.

Dimensions [mm]	Ø D	L
BlauFast RM 75	79	95



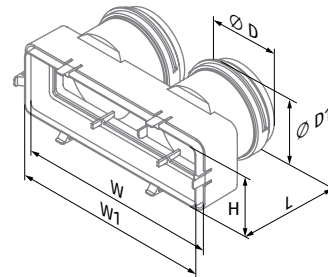
COUPLING SLEEVE BLAUFAST MH 75/204x60

For connection of BlauFast air ducts Ø 75 mm and BlauPlast FK 204x60 mm.



- Fixation of the BlauFast duct with the **BlauFast RS** lock ring (included in the delivery).
- The **BlauFast RL** sealing ring (available as a special accessory) is used to provide airtightness class "C".
- Made of polypropylene (PP) with thermoplastic elastomer (SEBS).
- Operation temperature from -20 up to +60 °C.

Dimensions [mm]	Ø D	Ø D1	H	L	W	W1
BlauFast MH 75/204x60	84	91	60	98	217	204



ROUND BEND BLAUFAST RB 75

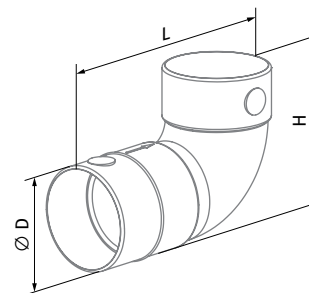
For connection of the air ducts Ø 75 mm with the angle of 90°.



- The **BlauFast RL** sealing ring (available as a special accessory) is used to provide airtightness class "C".
- Made of PVC.
- Operation temperature from -20 up to +60 °C.

Air flow [m³/h]	Pressure drop [Pa]
30	2.7

Dimensions [mm]	Ø D	H	L
BlauFast RB 75	78	129	178



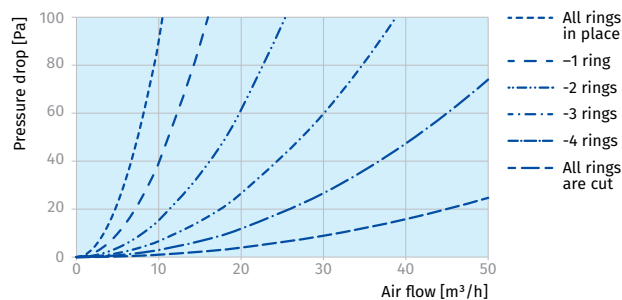
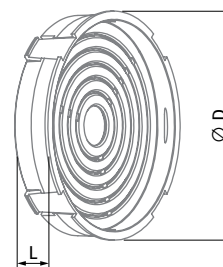
**AIR FLOW RESTRICTOR
BLAUFAST RD 75**

Supply or exhaust ventilation systems of residential spaces. Adjusting the air flow in the duct.



- Inserted in the **BlauFast RKF** flanges from inside of the **BlauFast SR** air distribution box. Cut away unnecessary rings for air flow regulation.
- Made of polypropylene (PP) with thermoplastic elastomer (SEBS).
- Operation temperature from -20 up to +60 °C.

Dimensions [mm]	Ø D	L
BlauFast RD 75	62	14



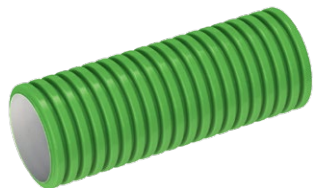
SYSTEM 90

DUCTS

ROUND DUCT BLAUFAST RK 90



ROUND DUCT WITH ANTIBACTERIAL AND ANTISTATIC TREATMENT BLAUFAST RK 90 01



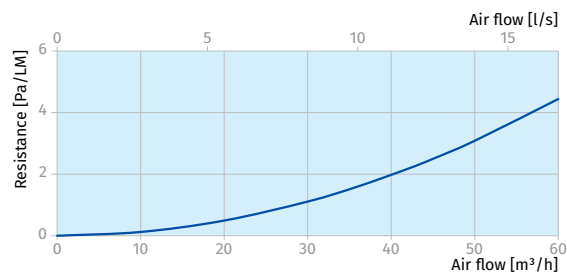
ROUND DUCT WITH ANTISTATIC TREATMENT BLAUFAST RK 90 02



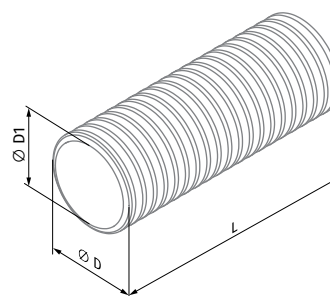
- Made of high-density polyethylene (HDPE).
- The bend radius is 180 mm.
- Circular density 8 kN/m² according to EN ISO 9969.
- Operating temperature: from -20 to +60 °C.
- Smooth inner surface for low air resistance and easy cleaning.

Air speed through the cross-section [m/s]	2	2.5	3
1 duct – air flow [m ³ /h]	36	42	50
2 ducts – air flow [m ³ /h]	70	84	101

Duct length [m]	Duct resistance [Pa]		
2	3.2	4.4	6.2
4	6.4	8.7	12.3
6	9.6	13.1	18.5
8	12.8	17.4	24.7
10	16.0	21.8	30.9
12	19.2	26.1	37.0
14	22.4	30.5	43.2
16	25.6	34.8	49.4
18	28.8	39.2	55.6



Dimensions [mm]	Ø D	Ø D1	L [m]
BlauFast RK 90/50	90	77	50
BlauFast RK 90/50 01	90	77	50
BlauFast RK 90/50 02	90	77	50



AIR DISTRIBUTION BOXES

PLASTIC AIR DISTRIBUTION BOX BLAUFast SR 125/90x2 50P

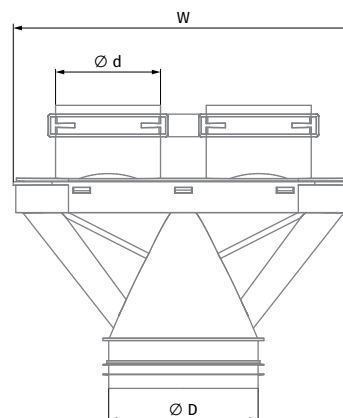
For supply and exhaust systems in residential premises. Distribution of air from the ventilation unit through the ducts.



- Connection diameter: 90 mm.
- Ducts are fastened with **BlauFast S** locks, included in the delivery.
- The duct is fitted with **BlauFast RL 90** slip-on seal to retain air-tightness class "C" (purchased separately).
- Made of polypropylene (PP) with thermoplastic elastomer (SEBS).
- Operating temperature: from -20 to +60 °C.

Air capacity [m³/h]	Quantity of connected air ducts	Air supply, air resistance [Pa]	Air exhaust, air resistance [Pa]
45	1	5.6	6.2
90	2	7.5	8.3

Dimensions [mm]	∅ D	∅ d	W
BlauFast SR 125/90x2 50P	125	90	271



METAL AIR DISTRIBUTION BOX BLAUFast SR 125/90x6 01

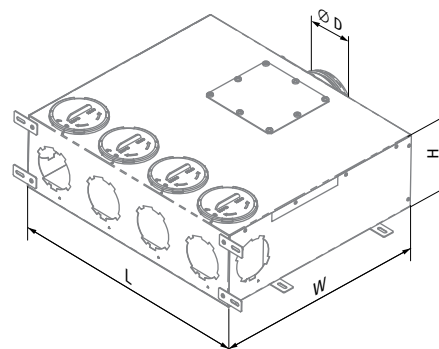
Supply or exhaust ventilation systems of residential spaces. Distribution of air from the ventilation unit through the ducts.



- The main air duct flange is sealed with a rubber gasket.
- Air duct connection through matching flanges **BlauFast RKF** (purchased separately).
- Any unused ports are sealed off with **BlauFast RSP 90** air distribution box plugs.
- Made of steel with aluzinc coating.
- Internal sound insulation layer.

Air flow [m³/h]	Quantity of connected air ducts	Air supply, Pressure drop [Pa]	Air exhaust, Pressure drop [Pa]
45	1	4.0	4.1
90	2	5.4	5.5
135	3	9.0	9.2
180	4	16.0	16.5
225	5	23.5	24.2
270	6	31.5	32.4

Dimensions [mm]	∅ D1	H	L	W
BlauFast SR 125/90x6 01	122	162	530	470



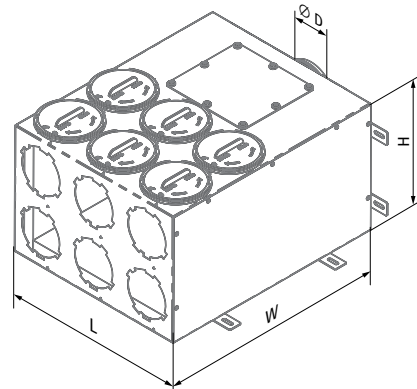
METAL AIR DISTRIBUTION BOX BLAUFAST SR 125/90x6 02 BLAUFAST SR 160/90x6 02

Supply or exhaust ventilation systems of residential spaces. Distribution of air from the ventilation unit through the ducts.



- The main air duct flange is sealed with a rubber gasket.
- Air duct connection through matching flanges **BlauFast RKF** (purchased separately).
- Any unused ports are sealed off with **BlauFast RSP 90** air distribution box plugs.
- Made of steel with aluzinc coating.
- Internal sound insulation layer.

Dimensions [mm]	Ø D1	H	L	W
BlauFast SR 125/90x6 02	122	239	348	432
BlauFast SR 160/90x6 02	157	239	348	460



BlauFast SR 125/90x6 02

Air flow [m³/h]	Quantity of connected air ducts	Air supply. Pressure drop [Pa]	Air exhaust. Pressure drop [Pa]
45	1	4.0	4.1
90	2	5.4	5.5
135	3	9.0	9.2
180	4	16.0	16.5
225	5	23.5	24.2
270	6	31.5	32.4

BlauFast SR 160/90x6 02

Air flow [m³/h]	Quantity of connected air ducts	Air supply. Pressure drop [Pa]	Air exhaust. Pressure drop [Pa]
45	1	5.4	6.0
90	2	6.7	7.3
135	3	8.7	9.6
180	4	11.6	12.8
225	5	15.4	16.9
270	6	19.9	21.9

METAL AIR DISTRIBUTION BOX BLAUFAST SR 160/90x6 04

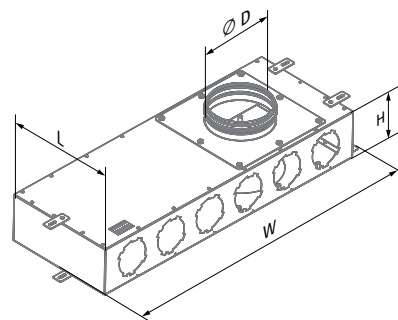
Supply or exhaust ventilation systems of residential spaces. Distribution of air from the ventilation unit through the ducts.



- The main air duct flange is sealed with a rubber gasket.
- Air duct connection through matching flanges **BlauFast RKF** (purchased separately).
- Any unused ports are sealed off with **BlauFast RSP 90** air distribution box plugs.
- Made of steel with aluzinc coating.

Air flow [m³/h]	Quantity of connected air ducts	Air supply. Pressure drop [Pa]	Air exhaust. Pressure drop [Pa]
45	1	8.6	8.8
90	2	11.5	11.8
135	3	14.0	14.4
180	4	17.5	18.0
225	5	21.5	22.1
270	6	27.0	27.8

Dimensions [mm]	Ø D1	H	L	W
BlauFast SR 160/90x6 04	157	125	290	770



PLASTIC AIR DISTRIBUTION BOX
BLAUFAST SR 125/90x6 50P

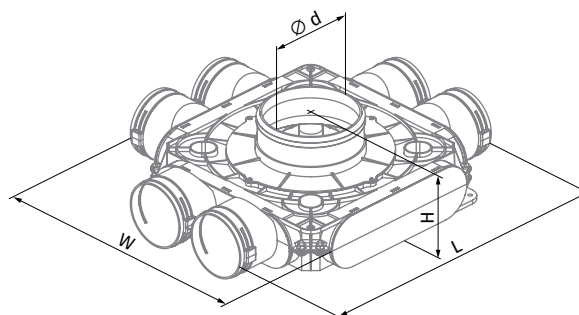
For supply and exhaust systems in residential premises. Distribution of air from the ventilation unit through the ducts.



- Connection diameter: 90 mm.
- Ducts are fastened with **BlauFast S** locks, included in the delivery.
- The duct is fitted with **BlauFast RL 90** slip-on seal to retain air-tightness class "C" (purchased separately).
- Made of polypropylene (PP) with thermoplastic elastomer (SEBS).
- Operating temperature: from -20 to +60 °C.

Air flow [m³/h]	Quantity of connected air ducts	Air supply. Pressure drop [Pa]	Air exhaust. Pressure drop [Pa]
45	1	5.7	6.3
90	2	8.0	8.7
135	3	11.6	12.8
180	4	16.8	18.5
225	5	23.5	25.8
270	6	31.6	34.7

Dimensions [mm]	Ø d (inner)	H	L	W
BlauFast SR 125/90x6 50P	113	140	496	424



PLASTIC AIR DISTRIBUTION BOX
BLAUFAST SR 125/90x6 51P

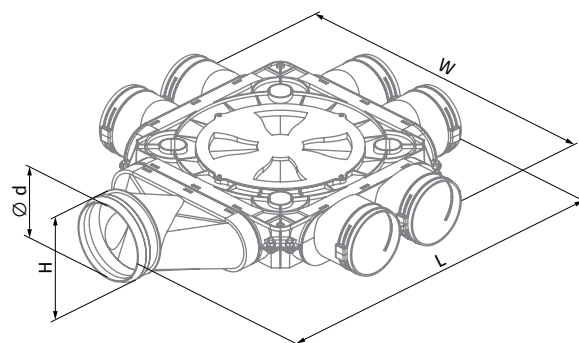
For supply and exhaust systems in residential premises. Distribution of air from the ventilation unit through the ducts.



- Connection diameter: 90 mm.
- Ducts are fastened with **BlauFast S** locks, included in the delivery.
- The duct is fitted with **BlauFast RL 90** slip-on seal to retain air-tightness class "C" (purchased separately).
- Made of polypropylene (PP) with thermoplastic elastomer (SEBS).
- Operating temperature: from -20 to +60 °C.

Air flow [m³/h]	Quantity of connected air ducts	Air supply. Pressure drop [Pa]	Air exhaust. Pressure drop [Pa]
45	1	21.5	24.1
90	2	25.8	28.9
135	3	31.0	34.6
180	4	37.2	41.6
225	5	44.6	49.9
270	6	53.6	59.9

Dimensions [mm]	Ø d1 (inner)	H	L	W
BlauFast SR 125/90x6 51P	113	128	588	496



METAL AIR DISTRIBUTION BOX BLAUFAST SR 160/90x8 01

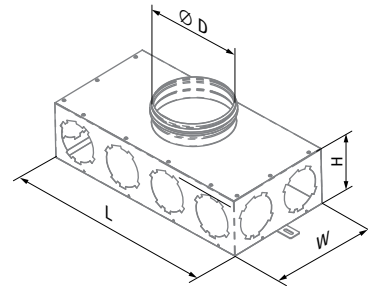
Supply or exhaust ventilation systems of residential spaces. Distribution of air from the ventilation unit through the ducts.



- The main air duct flange is sealed with a rubber gasket.
- Air duct connection through matching flanges **BlauFast RKF** (purchased separately).
- Any unused ports are sealed off with **BlauFast RSP 90** air distribution box plugs.
- Made of steel with aluzinc coating.

Air flow [m ³ /h]	Quantity of connected air ducts	Air supply. Pressure drop [Pa]	Air exhaust. Pressure drop [Pa]
45	1	5.5	6.0
90	2	6.9	7.6
135	3	9.2	10.1
180	4	12.5	13.7
225	5	16.7	18.4
270	6	21.8	24.0
315	7	27.9	30.7
360	8	35.0	38.4

Dimensions [mm]	Ø D1	H	L	W
BlauFast SR 160/90x8 01	157	125	464	232



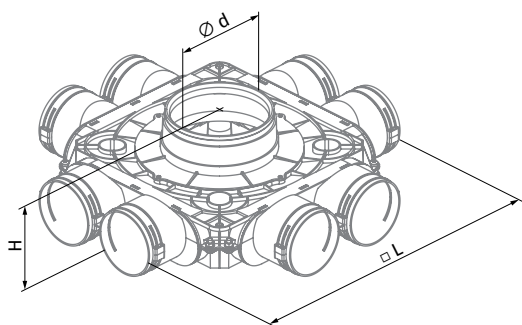
PLASTIC AIR
 DISTRIBUTION BOX
BLAUFast SR 150/90x8 50P
BLAUFast SR 160/90x8 50P
BLAUFast SR 200/90x8 50P



For supply and exhaust systems
 in residential premises.
 Distribution of air from the
 ventilation unit through the ducts.

- Connection diameter: 90 mm.
- Ducts are fastened with **BlauFast S** locks, included in the delivery.
- The duct is fitted with **BlauFast RL 90** slip-on seal to retain air-tightness class "C" (purchased separately).
- Made of polypropylene (PP) with thermoplastic elastomer (SEBS).
- Operating temperature: from -20 to +60 °C.

Dimensions [mm]	Ø d1 (inner)	H	L
BlauFast SR 150/90x8 50P	138	140	496
BlauFast SR 160/90x8 50P	148	140	496
BlauFast SR 200/90x8 50P	188	140	496



BlauFast SR 150/90x8 50P

Air capacity [m³/h]	Quantity of connected air ducts	Air supply, air resistance [Pa]	Air exhaust, air resistance [Pa]
45	1	5.5	6.0
90	2	6.9	7.6
135	3	9.2	10.1
180	4	12.5	13.7
225	5	16.7	18.4
270	6	21.8	24.0
315	7	27.9	30.7
360	8	35.0	38.4

BlauFast SR 160/90x8 50P

Air capacity [m³/h]	Quantity of connected air ducts	Air supply, air resistance [Pa]	Air exhaust, air resistance [Pa]
45	1	5.5	6.0
90	2	6.9	7.6
135	3	9.2	10.1
180	4	12.5	13.7
225	5	16.7	18.4
270	6	21.8	24.0
315	7	27.9	30.7
360	8	35.0	38.4

BlauFast SR 200/90x8 50P

Air capacity [m³/h]	Quantity of connected air ducts	Air supply, air resistance [Pa]	Air exhaust, air resistance [Pa]
45	1	5.3	5.9
90	2	6.3	7.0
135	3	8.0	8.8
180	4	10.3	11.4
225	5	13.3	14.7
270	6	17.0	18.7
315	7	21.3	23.4
360	8	26.3	28.9

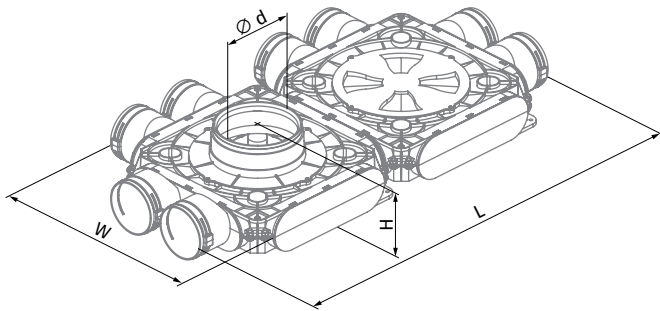
**PLASTIC AIR
DISTRIBUTION BOX
BLAUFAST SR 150/90x8 51P
BLAUFAST SR 160/90x8 51P
BLAUFAST SR 200/90x8 51P**



For supply and exhaust systems in residential premises. Distribution of air from the ventilation unit through the ducts.

- Connection diameter: 90 mm.
- Ducts are fastened with **BlauFast S** locks, included in the delivery.
- The duct is fitted with **BlauFast RL 90** slip-on seal to retain air-tightness class "C" (purchased separately).
- Made of polypropylene (PP) with thermoplastic elastomer (SEBS).
- Operating temperature: from -20 to +60 °C.

Dimensions [mm]	∅ d (inner)	H	L	W
BlauFast SR 150/90x8 51P	138	140	845	424
BlauFast SR 160/90x8 51P	148	140	845	424
BlauFast SR 200/90x8 51P	188	140	845	424



BlauFast SR 150/90x8 51P

Air capacity [m³/h]	Quantity of connected air ducts	Air supply, air resistance [Pa]	Air exhaust, air resistance [Pa]
45	1	5.5	6.0
90	2	6.9	7.6
135	3	9.2	10.1
180	4	12.5	13.7
225	5	16.7	18.4
270	6	21.8	24.0
315	7	27.9	30.7
360	8	35.0	38.4

BlauFast SR 160/90x8 51P

Air capacity [m³/h]	Quantity of connected air ducts	Air supply, air resistance [Pa]	Air exhaust, air resistance [Pa]
45	1	5.5	6.0
90	2	6.9	7.6
135	3	9.2	10.1
180	4	12.5	13.7
225	5	16.7	18.4
270	6	21.8	24.0
315	7	27.9	30.7
360	8	35.0	38.4

BlauFast SR 200/90x8 51P

Air capacity [m³/h]	Quantity of connected air ducts	Air supply, air resistance [Pa]	Air exhaust, air resistance [Pa]
45	1	5.3	5.9
90	2	6.3	7.0
135	3	8.0	8.8
180	4	10.3	11.4
225	5	13.3	14.7
270	6	17.0	18.7
315	7	21.3	23.4
360	8	26.3	28.9

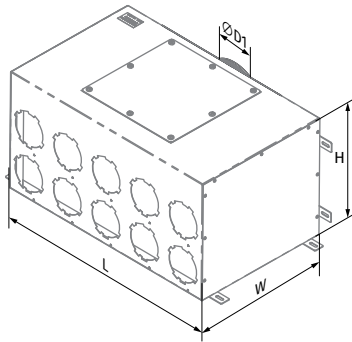
METAL AIR DISTRIBUTION BOX
BLAUFAST SR 160/90x10 02
BLAUFAST SR 200/90x10 02

Supply or exhaust ventilation systems of residential spaces. Distribution of air from the ventilation unit through the ducts.



- The main air duct flange is sealed with a rubber gasket.
- Air duct connection through matching flanges **BlauFast RKF** (purchased separately).
- Any unused ports are sealed off with **BlauFast RSP 90** air distribution box plugs.
- Made of steel with aluzinc coating. Internal sound insulation layer.

Dimensions [mm]	∅ D1	H	L	W
BlauFast SR 160/90x10 02	157	302	580	350
BlauFast SR 200/90x10 02	197	302	580	350



BlauFast SR 160/90x10 02

Air capacity [m³/h]	Quantity of connected air ducts	Air supply, air resistance [Pa]	Air exhaust, air resistance [Pa]
45	1	5.4	6.0
90	2	6.7	7.3
135	3	8.7	9.6
180	4	11.6	12.8
225	5	15.4	16.9
270	6	19.9	21.9
315	7	25.3	27.8
360	8	31.5	34.6
405	9	38.5	42.4
450	10	46.4	51.0

BlauFast SR 200/90x10 02

Air capacity [m³/h]	Quantity of connected air ducts	Air supply, air resistance [Pa]	Air exhaust, air resistance [Pa]
45	1	5.3	5.8
90	2	6.1	6.7
135	3	7.5	8.3
180	4	9.5	10.4
225	5	12.0	13.2
270	6	15.0	16.5
315	7	18.7	20.5
360	8	22.9	25.1
405	9	27.6	30.4
450	10	32.9	36.2

METAL AIR DISTRIBUTION BOX
BLAUFAST SR 160/90x10 03

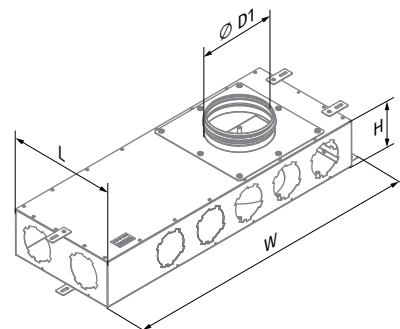
Supply or exhaust ventilation systems of residential spaces. Distribution of air from the ventilation unit through the ducts.



- The main air duct flange is sealed with a rubber gasket.
- Air duct connection through matching flanges **BlauFast RKF** (purchased separately).
- Any unused ports are sealed off with **BlauFast RSP 90** air distribution box plugs.
- Made of steel with aluzinc coating.

Air capacity [m³/h]	Quantity of connected air ducts	Air supply, air resistance [Pa]	Air exhaust, air resistance [Pa]
45	1	5.5	6.0
90	2	6.9	7.6
135	3	9.2	10.1
180	4	12.5	13.7
225	5	16.7	18.4
270	6	21.8	24.0
315	7	27.9	30.7
360	8	35.0	38.4
405	9	42.9	47.2
450	10	51.8	57.0

Dimensions [mm]	∅ D1	H	L	W
BlauFast SR 160/90x10 03	157	125	290	770



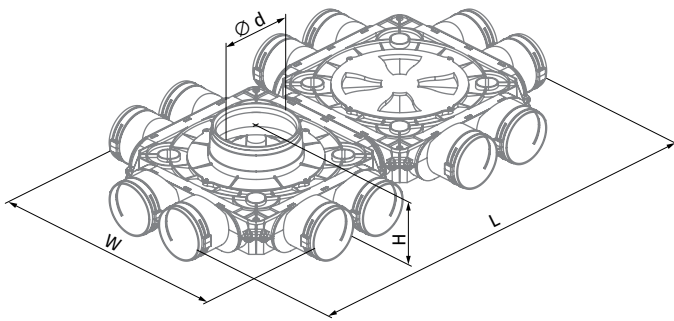
**PLASTIC AIR
DISTRIBUTION BOX
BLAUFAST SR 150/90x12 50P
BLAUFAST SR 160/90x12 50P
BLAUFAST SR 200/90x12 50P**



For supply and exhaust systems in residential premises. Distribution of air from the ventilation unit through the ducts.

- Connection diameter: 90 mm.
- Ducts are fastened with **BlauFast S** locks, included in the delivery.
- The duct is fitted with **BlauFast RL 90** slip-on seal to retain air-tightness class "C" (purchased separately).
- Made of polypropylene (PP) with thermoplastic elastomer (SEBS).
- Operating temperature: from -20 to +60 °C.

Dimensions [mm]	∅ d (inner)	H	L	W
BlauFast SR 150/90x12 50P	138	140	845	496
BlauFast SR 160/90x12 50P	148	140	845	496
BlauFast SR 200/90x12 50P	188	140	845	496



BlauFast SR 150/90x12 50P

Air capacity [m³/h]	Quantity of connected air ducts	Air supply, air resistance [Pa]	Air exhaust, air resistance [Pa]
45	1	5.5	6.0
90	2	6.9	7.6
135	3	9.2	10.1
180	4	12.5	13.7
225	5	16.7	18.4
270	6	21.8	24.0
315	7	27.9	30.7
360	8	35.0	38.4
405	9	42.9	47.2
450	10	51.8	57.0
495	11	61.6	67.8
540	12	72.4	79.6

BlauFast SR 160/90x12 50P

Air capacity [m³/h]	Quantity of connected air ducts	Air supply, air resistance [Pa]	Air exhaust, air resistance [Pa]
45	1	5.5	6.0
90	2	6.9	7.6
135	3	9.2	10.1
180	4	12.5	13.7
225	5	16.7	18.4
270	6	21.8	24.0
315	7	27.9	30.7
360	8	35.0	38.4
405	9	42.9	47.2
450	10	51.8	57.0
495	11	61.6	67.8
540	12	72.4	79.6

BlauFast SR 200/90x12 50P

Air capacity [m³/h]	Quantity of connected air ducts	Air supply, air resistance [Pa]	Air exhaust, air resistance [Pa]
45	1	5.3	5.9
90	2	6.3	7.0
135	3	8.0	8.8
180	4	10.3	11.4
225	5	13.3	14.7
270	6	17.0	18.7
315	7	21.3	23.4
360	8	26.3	28.9
405	9	32.0	35.2
450	10	38.3	42.1
495	11	45.3	49.8
540	12	53.0	58.2

METAL AIR DISTRIBUTION BOX BLAUFAST SR 200/90x15 02

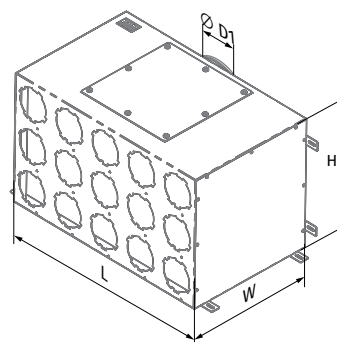
Supply or exhaust ventilation systems of residential spaces. Distribution of air from the ventilation unit through the ducts.



- The main air duct flange is sealed with a rubber gasket.
- Air duct connection through matching flanges **BlauFast RKF** (purchased separately).
- Any unused ports are sealed off with **BlauFast RSP 90** air distribution box plugs.
- Made of steel with aluzinc coating.
- Internal sound insulation layer.

Air capacity [m³/h]	Quantity of connected air ducts	Air supply, air resistance [Pa]	Air exhaust, air resistance [Pa]
45	1	5.3	5.8
90	2	6.1	6.7
135	3	7.5	8.3
180	4	9.5	10.4
225	5	12.0	13.2
270	6	15.0	16.5
315	7	18.7	20.5
360	8	22.9	25.1
405	9	27.6	30.4
450	10	32.9	36.2
495	11	38.8	42.6
540	12	45.2	49.7
585	13	52.2	57.4
630	14	59.7	65.7
675	15	67.8	74.6

Dimensions [mm]	Ø D1	H	L	W
BlauFast SR 200/90x15 02	197	355	580	350



CONNECTORS

CEILING-MOUNTED PLASTIC CONNECTOR BLAUFAST RPZ 125/90x2 BLAUFAST RPZ 125/90x2 01

For supply and exhaust systems in residential premises.
For under-ceiling mounting with 125 mm duct downwards.
Connecting the ventilation grille to $\varnothing 90$ mm ducts.



- Connection diameters: 90 and 125 mm.
- Ducts are fastened with **BlauFast S** locks, included in the delivery.
- The duct is fitted with **BlauFast RL 90** slip-on seal to retain air-tightness class "C" (purchased separately).
- Made of polypropylene (PP) with thermoplastic elastomer (SEBS).
- Operating temperature: from -20 to $+60$ °C.

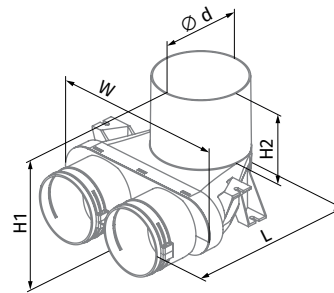
BlauFast RPZ 125/90x2

Air flow [m ³ /h]	Quantity of connected air ducts	Air supply. Pressure drop [Pa]	Air exhaust. Pressure drop [Pa]
45	1	6.3	7.0
90	2	7.8	8.8

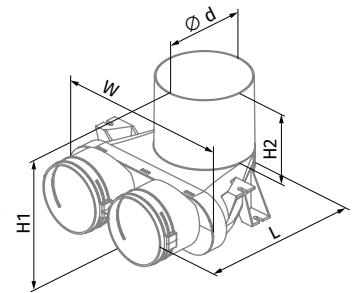
BlauFast RPZ 125/90x2 01

Air flow [m ³ /h]	Quantity of connected air ducts	Air supply. Pressure drop [Pa]	Air exhaust. Pressure drop [Pa]
45	1	6.3	7.0
90	2	7.8	8.8

Dimensions [mm]	$\varnothing d$ (inner)	H1	H2	L	W
BlauFast RPZ 125/90x2	127	183	100	257	266
BlauFast RPZ 125/90x2 01	127	183	100	257	266



BlauFast RPZ 125/90x2



BlauFast RPZ 125/90x2 01

FLOOR-MOUNTED METAL CONNECTOR BLAUFAST RPF 300x100/90x2 M

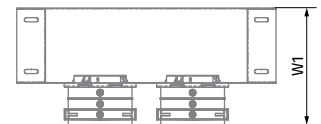
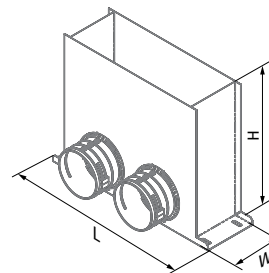
Supply or exhaust ventilation systems of residential spaces.
Floor-mounted.
Connecting the floor ventilation grille to BlauFast ducts.



- Connection diameter is 90 mm.
- The ducts are secured with **BlauFast S** locks (purchased separately).
- The duct is fitted with **BlauFast RL 90** slip-on seal to retain air-tightness class "C" (purchased separately).
- The connector is made of metal and supplied with polypropylene spigots.

Air flow [m ³ /h]	Quantity of connected air ducts	Air supply. Pressure drop [Pa]	Air exhaust. Pressure drop [Pa]
45	1	6.8	7.7
90	2	7.2	8.0

Dimensions [mm]	H	L	W	W1
BlauFast RPF 300x100/90x2 M	300	401	115	181



WALL-MOUNTED METAL CONNECTOR BLAUFAST RPW 234x70/90x2 M

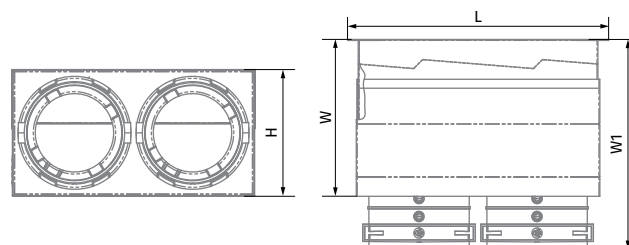
Supply or exhaust ventilation systems of residential spaces. Wall-mounted. Connecting the BlauFast GW 234x70 01 wall ventilation grille to BlauFast ducts.



- Connection diameter is 90 mm.
- The duct is secured with **BlauFast S** locks (purchased separately).
- The duct is fitted with **BlauFast RL 90** slip-on seal to retain air-tightness class "C" (purchased separately).
- The connector is made of metal and supplied with polypropylene spigots.
- Operating temperature: from -20 to +60 °C.

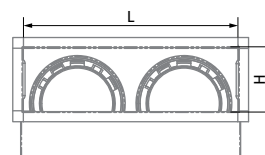
Air flow [m³/h]	Quantity of connected air ducts	Air supply. Pressure drop [Pa]	Air exhaust. Pressure drop [Pa]
45	1	6.5	6.0
90	2	6.3	5.6

Dimensions [mm]	H	L	W	W1
BlauFast RPW 234x70/90x2 M	134	257	119-219	169-269



Connecting dimensions where the grille is inserted

Dimensions [mm]	H	L
BlauFast RPW 234x70/90x2 M	70	235



WALL-MOUNTED METAL CONNECTOR BLAUFAST RPWB 234x70/90x2 M

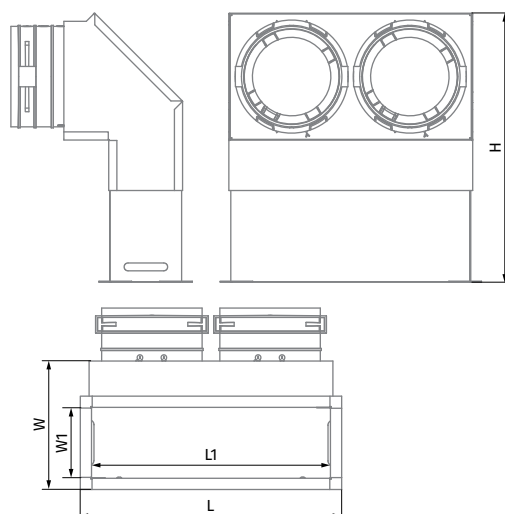
Supply or exhaust ventilation systems of residential spaces. Wall-mounted. Connecting the BlauFast GW 234x70 01 wall ventilation grille to BlauFast ducts.



- Connection diameter is 90 mm.
- The duct is secured with **BlauFast S** locks (purchased separately).
- The duct is fitted with **BlauFast RL 90** slip-on seal to retain air-tightness class "C" (purchased separately).
- The connector is made of metal and supplied with polypropylene spigots.
- Operating temperature: from -20 to +60 °C.

Air flow [m³/h]	Quantity of connected air ducts	Air supply. Pressure drop [Pa]	Air exhaust. Pressure drop [Pa]
45	1	5.8	5.8
90	2	7.7	6.6

Dimensions [mm]	H	L	L1	W	W1
BlauFast RPWB 234x70/90x2 M	176-274	257	235	126	70



FITTINGS

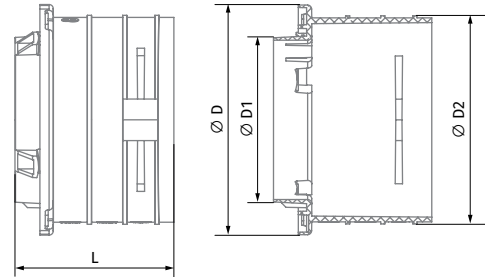
ROUND FLANGE BLAUFAST RKF 90

Supply or exhaust ventilation systems of residential spaces. Connecting air ducts to connectors and air distribution boxes.



- The duct is secured with a **BlauFast S** locks (purchased separately).
- A duct is fitted with a **BlauFast RL 90** seal to retain air-tightness class "C" (purchased separately).
- Made of polypropylene (PP) with thermoplastic elastomer (SEBS).
- Operating temperature: from -20 to +60 °C.

Dimensions [mm]	Ø D	Ø D1	Ø D2	L
BlauFast RKF 90	111	79	101	77



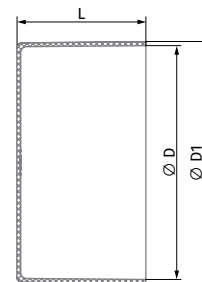
ROUND PIPE PLUG BLAUFAST RKP 90

Sealing off Ø 90 mm duct end and preventing debris from entering the duct during construction and installation work.



- Made of polypropylene (PP) with thermoplastic elastomer (SEBS).
- Operating temperature: from -20 to +60 °C.

Dimensions [mm]	Ø D	Ø D1	L
BlauFast RKP 90	91	94	50



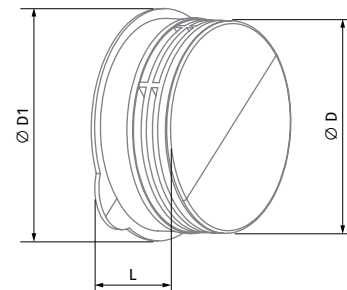
ROUND FLANGE PLUG BLAUFAST RFP 90

Sealing off unused BlauFast RKF 90 flanges in connectors.



- Made of polypropylene (PP) with thermoplastic elastomer (SEBS).
- The plug is supplied with a seal (purchased separately) to retain airtightness class "C".
- Operating temperature: from -20 to +60 °C.

Dimensions [mm]	Ø D	Ø D1	L
BlauFast RFP 90	91	115	32



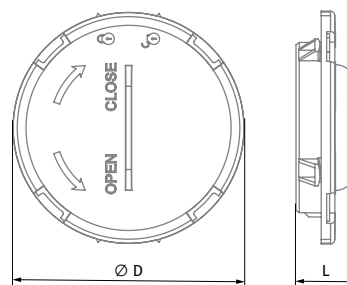
AIR DISTRIBUTION BOX PLUG BLAUFAST RSP 90

Sealing off unused ports
in air distribution boxes.



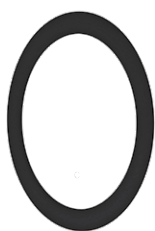
- Made of polypropylene (PP) with thermoplastic elastomer (SEBS).
- The plug is supplied with a seal to retain airtightness class "C".
- Operating temperature: from -20 to +60 °C.

Dimensions [mm]	Ø D	L
BlauFast RSP 90	111	29



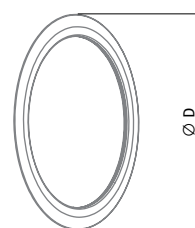
SEAL RING BLAUFAST RL 90

Sealing Ø 90 mm ducts and
BlauFast flange plugs.



- Made of synthetic rubber.
- The **BlauFast RL** sealing ring is used to provide airtightness class "C".
- Operating temperature: from -20 to +60 °C.

Dimensions [mm]	Ø D
BlauFast RL 90	94



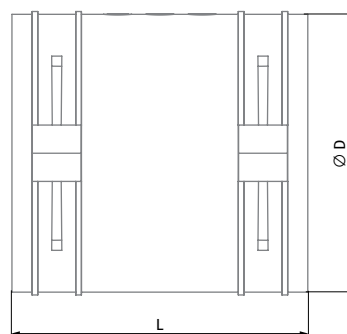
COUPLING SLEEVE BLAUFAST RM 90

Supply or exhaust ventilation
systems of residential spaces.
Joining Ø 90 mm air ducts.



- The ducts are secured with **BlauFast S** locks (included in the delivery).
- The duct is fitted with a seal to retain airtightness class "C" (purchased separately).
- Made of polypropylene (PP) with thermoplastic elastomer (SEBS).
- Operating temperature: from -20 to +60 °C.

Dimensions [mm]	Ø D	L
BlauFast RM 90	101	105



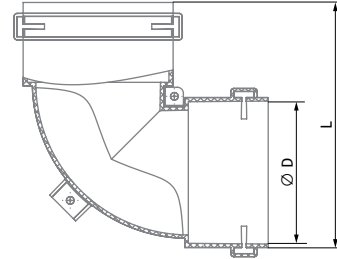
ROUND BEND BLAUFAST RB 90

Supply or exhaust ventilation systems of residential spaces. Joining \varnothing 90 mm ducts at 90°.



- Connection diameter is 90 mm.
- The duct is secured with **BlauFast S** locks.
- The duct is fitted with a **BlauFast RL 90** seal to retain air-tightness class "C" (purchased separately).
- Made of polypropylene (PP) with thermoplastic elastomer (SEBS).
- Operating temperature: from -20 to +60 °C.

Air flow [m³/h]	Pressure drop [Pa]	
45	2.4	
Dimensions [mm]	\varnothing D	L
BlauFast RB 90	94	167



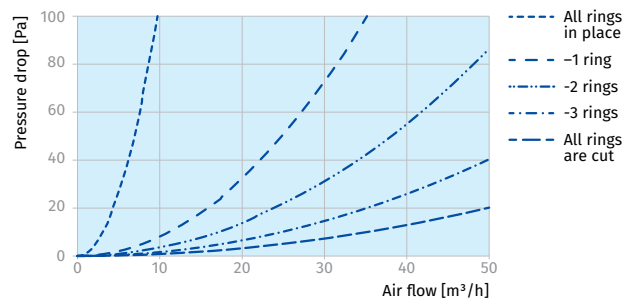
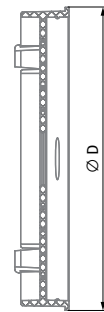
AIR FLOW RESTRICTOR BLAUFAST RD 90

Supply or exhaust ventilation systems of residential spaces. Adjusting the air flow in the duct.



- Inserted into **BlauFast RKF 90** flanges on the inside of the air distribution box.
- To adjust the air flow, cut the unnecessary rings off the casting.
- Made of polypropylene (PP) with thermoplastic elastomer (SEBS).
- Operating temperature: from -20 to +60 °C.

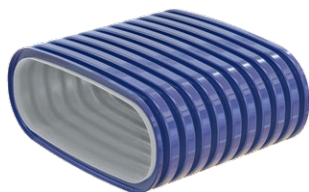
Dimensions [mm]	\varnothing D	L
BlauFast RD 90	78	14



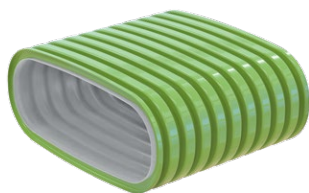
SYSTEM 52

DUCTS

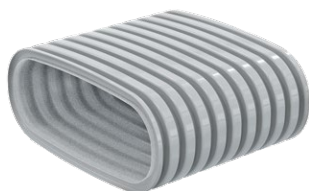
OVAL DUCT
BLAUFast OK 52/50



OVAL DUCT WITH
ANTIBACTERIAL AND
ANTISTATIC TREATMENT
BLAUFast OK 52/50 01



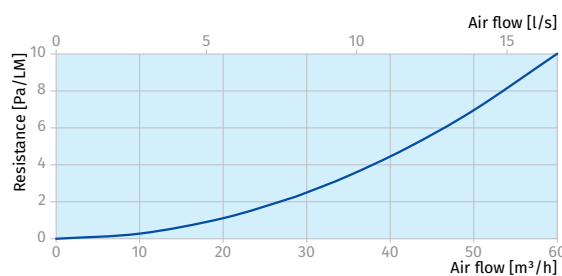
OVAL DUCT WITH
ANTISTATIC TREATMENT
BLAUFast OK 52/50 02



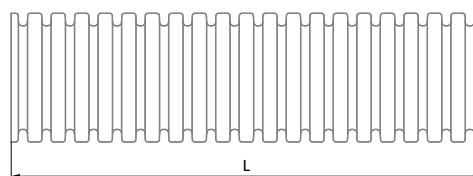
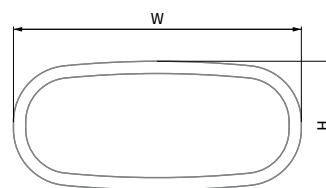
- Made of high-density polyethylene (HDPE).
- Maximum air flow: 30 m³/h.
- Horizontal bend radius: $r_h = 3 \times B$.
- Vertical bend radius: $r_v = 3 \times H$.
- Circular density 8 kN/m² according to EN ISO 9969.
- Operating temperature: from -20 to +60 °C.
- Smooth inner surface for low air resistance and easy cleaning.

Air speed through the cross-section [m/s]	2	2.5	3
1 duct – air flow [m ³ /h]	28	35	42
2 ducts – air flow [m ³ /h]	56	70	84

Duct length [m]	Duct resistance [Pa]		
2	4.4	6.8	9.8
4	8.7	13.6	19.6
6	13.1	20.4	29.4
8	17.4	27.2	39.2
10	21.8	34.0	49.0
12	26.1	40.8	58.8
14	30.5	47.6	68.6
16	34.8	54.4	78.4
18	39.2	61.3	88.2



Dimensions [mm]	H	L [m]	W
BlauFast OK 52/20	52	20	117
BlauFast OK 52/20 01	52	20	117
BlauFast OK 52/20 02	52	20	117
BlauFast OK 52/50	52	50	117
BlauFast OK 52/50 01	52	50	117
BlauFast OK 52/50 02	52	50	117



AIR DISTRIBUTION BOXES

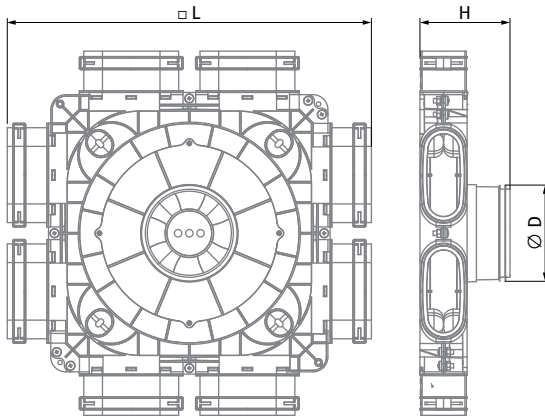
PLASTIC AIR DISTRIBUTION BOX BLAUFAST SO 125/52x8 60P BLAUFAST SO 150/52x8 60P BLAUFAST SO 160/52x8 60P BLAUFAST SO 200/52x8 60P



For supply and exhaust systems in residential premises. Distribution of air from the ventilation unit through the ducts.

- Connecting dimensions: 117x52 mm.
- Ducts are fastened with **BlauFast S** locks, included in the delivery.
- To ensure air tightness class "C", a **BlauFast OL 52** seal (purchased separately) is mounted on a duct.
- Made of polypropylene (PP) with thermoplastic elastomer (SEBS).
- Operating temperature: from -20 to +60 °C.

Dimensions [mm]	Ø D	H	L
BlauFast SO 125/52x8 60P	124	121	488
BlauFast SO 150/52x8 60P	149	121	488
BlauFast SO 160/52x8 60P	159	121	488
BlauFast SO 200/52x8 60P	199	121	488



BlauFast SO 125/52x8 60P

Air capacity [m³/h]	Quantity of connected air ducts	Air supply, air resistance [Pa]	Air exhaust, air resistance [Pa]
30	1	4.3	4.8
60	2	5.3	5.8
90	3	7.0	7.6
120	4	9.2	10.2
150	5	12.2	13.4
180	6	15.8	17.4
210	7	20.1	22.1
240	8	25.0	27.5

BlauFast SO 150/52x8 60P

Air capacity [m³/h]	Quantity of connected air ducts	Air supply, air resistance [Pa]	Air exhaust, air resistance [Pa]
30	1	4.2	4.6
60	2	4.8	5.3
90	3	5.9	6.5
120	4	7.3	8.1
150	5	9.2	10.1
180	6	11.5	12.6
210	7	14.2	15.6
240	8	17.3	19.0

BlauFast SO 160/52x8 60P

Air capacity [m³/h]	Quantity of connected air ducts	Air supply, air resistance [Pa]	Air exhaust, air resistance [Pa]
30	1	4.2	4.6
60	2	4.8	5.3
90	3	5.9	6.5
120	4	7.3	8.1
150	5	9.2	10.1
180	6	11.5	12.6
210	7	14.2	15.6
240	8	17.3	19.0

BlauFast SO 200/52x8 60P

Air capacity [m³/h]	Quantity of connected air ducts	Air supply, air resistance [Pa]	Air exhaust, air resistance [Pa]
30	1	4.1	4.6
60	2	4.6	5.1
90	3	5.3	5.9
120	4	6.4	7.0
150	5	7.7	8.5
180	6	9.3	10.3
210	7	11.3	12.4
240	8	13.5	14.8

CONNECTORS

CEILING-MOUNTED PLASTIC CONNECTOR BLAUFast OPZ 125/52x2

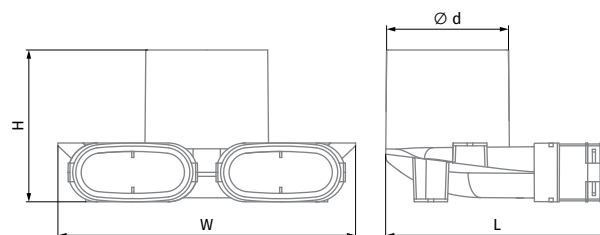
For supply and exhaust systems
in residential premises.
For under-ceiling mounting.
Connecting the ventilation
grille to 117×52 mm ducts.



- Connecting dimensions: 117×52 and Ø 125 mm.
- Ducts are fastened with **BlauFast S** locks, included in the delivery.
- To ensure air tightness class "C", a **BlauFast OL 52** seal (purchased separately) is mounted on a duct.
- Made of polypropylene (PP) with thermoplastic elastomer (SEBS).
- Operating temperature: from -20 to +60 °C.

Air flow [m ³ /h]	Quantity of connected air ducts	Air supply. Pressure drop [Pa]	Air exhaust. Pressure drop [Pa]
30	1	5.0	5.2
60	2	5.1	5.6

Dimensions [mm]	Ø d (inner)	H	L	W
BlauFast OPZ 125/52x2	127	163	240	320



FITTINGS

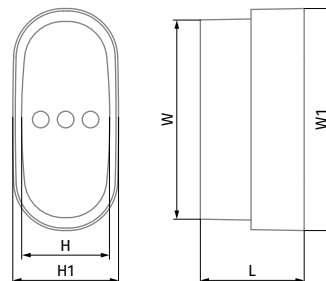
OVAL PIPE PLUG BLAUFAST OKP 52/60

For sealing 117×52 mm duct ends and preventing debris from entering the duct during construction and installation work.



- Made of polypropylene (PP) with thermoplastic elastomer (SEBS).
- Operating temperature: from -20 to +60 °C.

Dimensions [mm]	H	H1	L	W	W1
BlauFast OKP 52/60	52	64	63	117	134



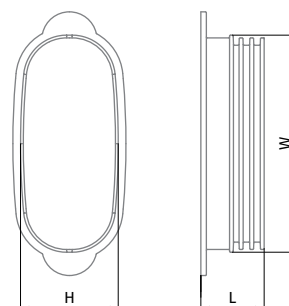
OVAL FLANGE PLUG BLAUFAST OFP 52

For covering open flanges 117×52 mm in plenums and air distribution boxes.



- Made of polypropylene (PP) with thermoplastic elastomer (SEBS).
- Operating temperature: from -20 to +60 °C.

Dimensions [mm]	H	L	W
BlauFast OFP 52	53	35	118



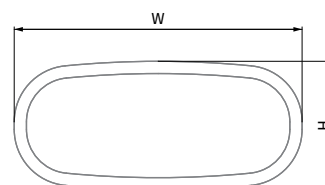
OVAL SEAL BLAUFAST OL 52

For sealing 117×52 mm ducts and BlauFast flange plugs.



- Made of synthetic rubber.
- Operating temperature: from -20 to +60 °C.

Dimensions [mm]	H	W
BlauFast OL 52	58	123



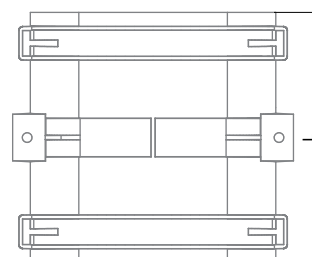
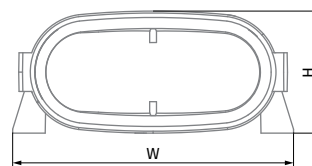
OVAL COUPLING BLAUFAST OM 52

For supply and exhaust systems in residential premises.
For joining 117×52 mm air ducts.



- Connecting dimensions: 117×52 mm.
- Ducts are fastened with **BlauFast S** locks, included in the delivery.
- To ensure air tightness class "C", a **BlauFast OL 52** seal (purchased separately) is mounted on a duct.
- Made of polypropylene (PP) with thermoplastic elastomer (SEBS).
- Operating temperature: from -20 to +60 °C.

Dimensions [mm]	H	L	W
BlauFast OM 52	63	130	145



OVAL HORIZONTAL ELBOW BLAUFAST OBH 52

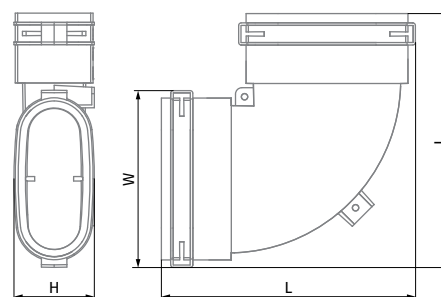
For supply and exhaust systems in residential premises.
For connecting 117×52 mm air ducts horizontally at 90°.



- Connecting dimensions: 117×52 mm.
- Ducts are fastened with **BlauFast S** locks, included in the delivery.
- To ensure air tightness class "C", a **BlauFast OL 52** seal (purchased separately) is mounted on a duct.
- Made of polypropylene (PP) with thermoplastic elastomer (SEBS).
- Operating temperature: from -20 to +60 °C.

Air flow [m³/h]	Pressure drop [Pa]
30	1.6

Dimensions [mm]	H	L	W
BlauFast OBH 52	58	200	139



OVAL VERTICAL ELBOW BLAUFAST OBV 52

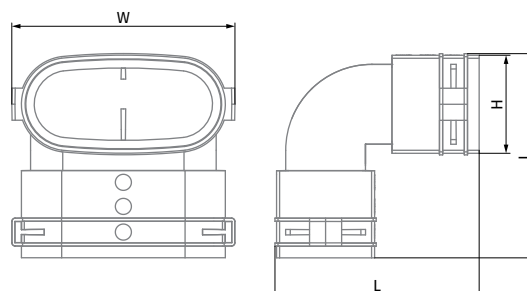
For supply and exhaust systems in residential premises.
For connecting 117×52 mm air ducts vertically at 90°.



- Connecting dimensions: 117×52 mm.
- Ducts are fastened with **BlauFast S** locks, included in the delivery.
- To ensure air tightness class "C", a **BlauFast OL 52** seal (purchased separately) is mounted on a duct.
- Made of polypropylene (PP) with thermoplastic elastomer (SEBS).
- Operating temperature: from -20 to +60 °C.

Air flow [m³/h]	Pressure drop [Pa]
30	2.5

Dimensions [mm]	H	L	W
BlauFast OBV 52	61	127	139



GRILLES

FLOOR-MOUNTED GRILLES

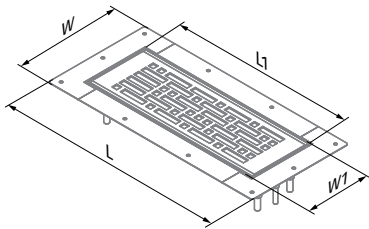
FLOOR-MOUNTED METAL GRILLE BLAUFAST GF 300x100 03

Supply or exhaust ventilation systems of residential spaces. Installed into floor-mounted connectors.



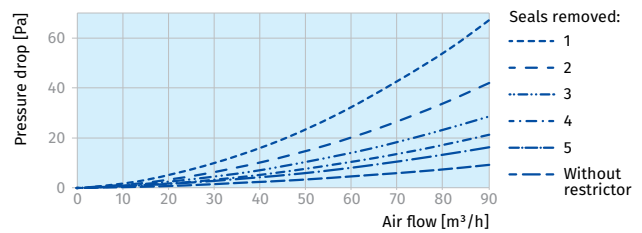
- Made of metal with white polymer coating.
- Secured with springs.

Dimensions [mm]	L	L1	W	W1	Cross-sectional area [m ²]
BlauFast GF 300x100 03	377	309	178	112	0.011

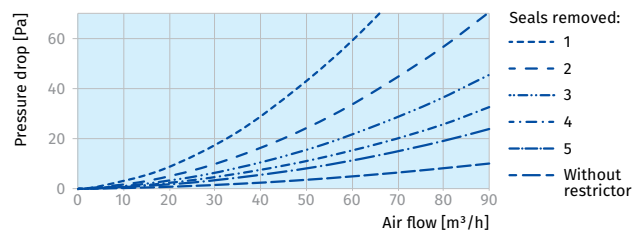


	Without flow restrictor	Equivalent area [mm ²]				
		Seals removed				
		5	4	3	2	1
Supply	10380	6690	5920	5070	3650	2950
Exhaust	9830	5650	4560	3680	2740	2100

Pressure loss of the grille with rectangular flow restrictor SUPPLY



EXHAUST



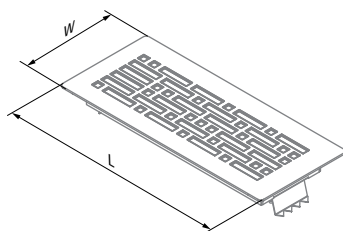
FLOOR-MOUNTED METAL OVERLAY GRILLE BLAUFAST GF 300x100 07

Supply or exhaust ventilation systems of residential spaces. Installed into floor-mounted connectors.



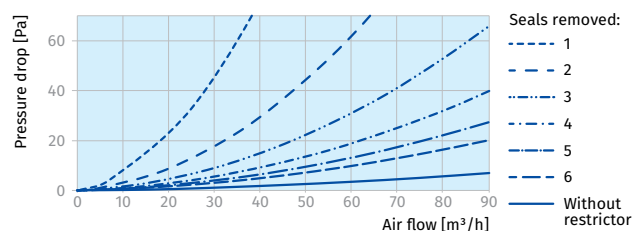
- Made of metal with white polymer coating.
- Secured with springs.

Dimensions [mm]	L	W	Cross-sectional area [m ²]
BlauFast GF 300x100 07	351	151	0.013

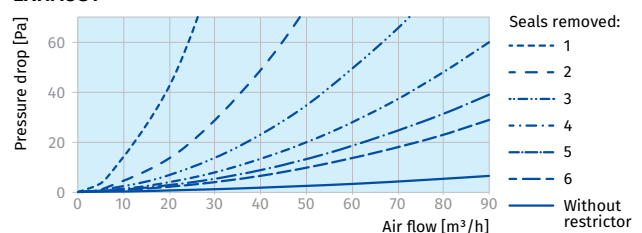


	Without flow restrictor	Equivalent area [mm ²]					
		Seals removed					
		6	5	4	3	2	1
Supply	11600	6200	5310	4220	3120	2150	1310
Exhaust	12210	5060	4290	3390	2500	1730	930

Pressure loss of the grille with rectangular flow restrictor SUPPLY



EXHAUST



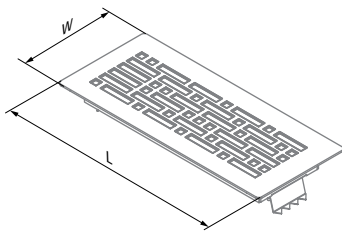
FLOOR-MOUNTED METAL GRILLE BLAUFast GF 300x100 10

Supply or exhaust ventilation systems of residential spaces. Installed into floor-mounted connectors.

- Made of polished stainless steel.
- Secured with springs.

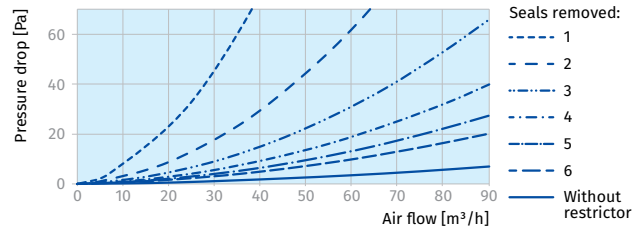


Dimensions [mm]	L	W	Cross-sectional area [m ²]
BlauFast GF 300x100 10	351	151	0.013

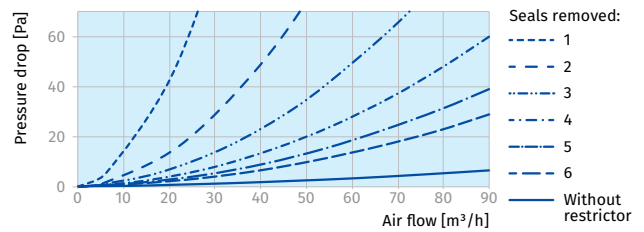


	Without flow restrictor	Equivalent area [mm ²]					
		Seals removed					
		6	5	4	3	2	1
Supply	11600	6200	5310	4220	3120	2150	1310
Exhaust	12210	5060	4290	3390	2500	1730	930

Pressure loss of the grille with rectangular flow restrictor SUPPLY



EXHAUST



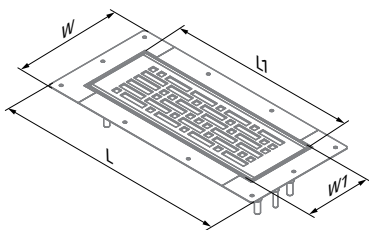
FLOOR-MOUNTED METAL GRILLE BLAUFast GF 300x100 12

Supply or exhaust ventilation systems of residential spaces. Installed into floor-mounted connectors.

- Made of polished stainless steel.
- Secured with springs.

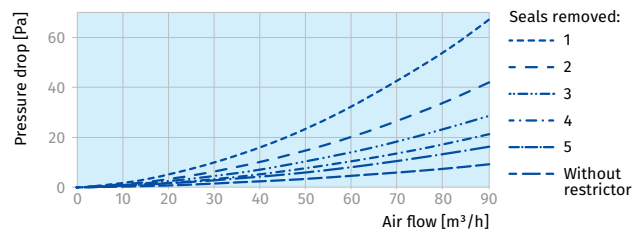


Dimensions [mm]	L	L1	W	W1	Cross-sectional area [m ²]
BlauFast GF 300x100 12	377	309	178	112	0.011

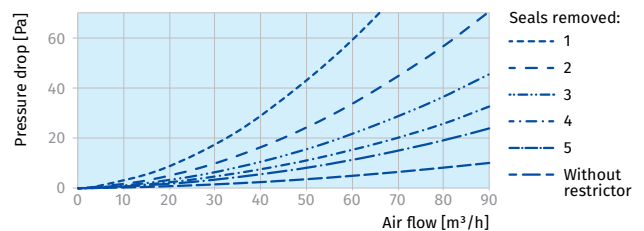


	Without flow restrictor	Equivalent area [mm ²]				
		Seals removed				
		5	4	3	2	1
Supply	10380	6690	5920	5070	3650	2950
Exhaust	9830	5650	4560	3680	2740	2100

Pressure loss of the grille with rectangular flow restrictor SUPPLY



EXHAUST



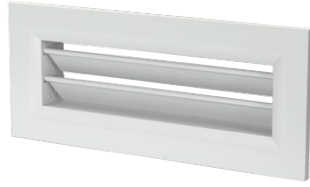
WALL-MOUNTED GRILLES

WALL-MOUNTED METAL GRILLE

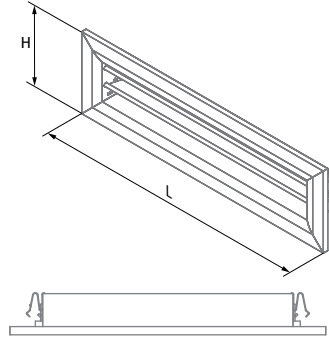
- BLAUFAST GW 200x55 01
- BLAUFAST GW 234x70 01
- BLAUFAST GW 300x55 01

Supply or exhaust ventilation systems of residential spaces. Installed into wall-mounted connectors.

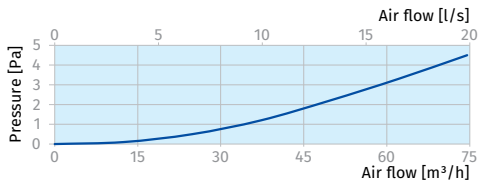
- Made of aluminium with white polymer coating.
- Secured with springs.



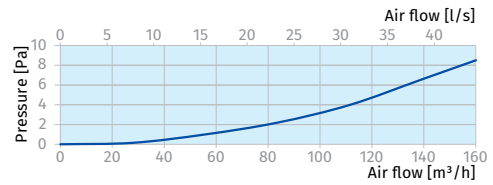
Dimensions [mm]	H	L	Cross-sectional area [m²]
BlauFast GW 200x55 01	97	230	0.007
BlauFast GW 234x70 01	113	262	0.011
BlauFast GW 300x55 01	97	330	0.016



BlauFast GW 200x55 01



BlauFast GW 300x55 01



DISC VALVES

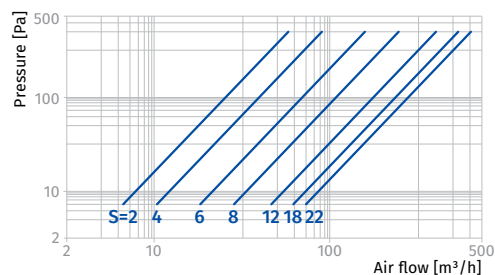
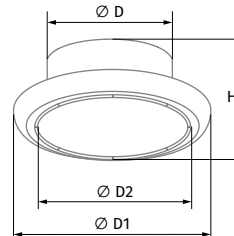
SUPPLY DISC VALVE VMBR 125

Supply ventilation systems of residential spaces. Installed into wall-mounted connectors.



- Made of metal with white polymer coating.
- Smooth air flow regulation.

Dimensions [mm]	Ø D	Ø D1	Ø D2	H
VMBR 125	20	166	110	124



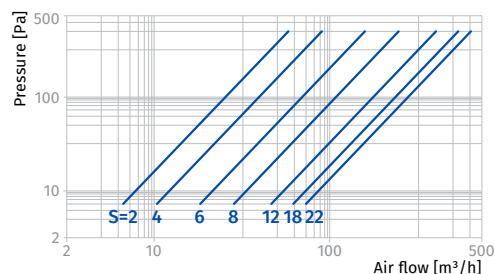
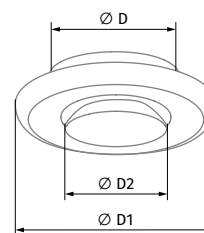
EXHAUST DISC VALVE VMR 125

Extract ventilation systems of residential spaces. Installed into wall-mounted connectors.



- Made of metal with white polymer coating.
- Smooth air flow regulation.

Dimensions [mm]	Ø D	Ø D1	Ø D2
VMR 125	124	154	100



UNIVERSAL PLASTIC GRILLES

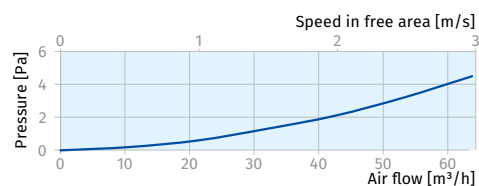
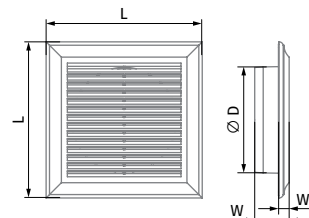
SQUARE GRILLE DECOR 180x180/125s

Supply or exhaust ventilation systems of residential spaces. Installed into wall-mounted connectors.



- Made of antistatic ABS plastic or polystyrene.
- Fixation with screws.
- Includes a mosquito screen.

Dimensions [mm]	∅ D	L	W	W1	Cross-sectional area [m ²]
Decor 180x180/125s	125	180	41	13	0.006



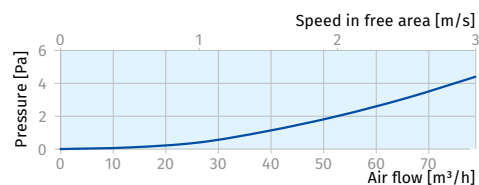
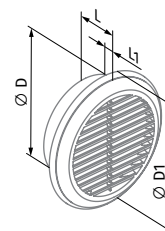
ROUND GRILLE DECOR 125s

Supply or exhaust ventilation systems of residential spaces. Installed into wall-mounted connectors.



- Made of antistatic ABS plastic or polystyrene.
- Fixation with screws.
- Includes a mosquito screen.

Dimensions [mm]	∅ D	∅ D1	L	L1	Cross-sectional area [m ²]
Decor 125s	125	165	42	14	0.007



ACCESSORIES

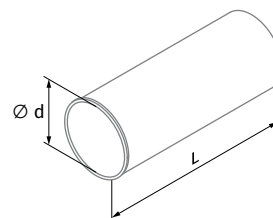
PLENUM DUCT BLAUFast RKPZ 125

For supply and exhaust systems in residential premises.
For extension of ducts of ceiling-mounted BlauFast RPZ plastic plenums.



- Connection diameter: 125 mm.
- Made of polypropylene (PP) with thermoplastic elastomer (SEBS).
- Operating temperature: from -20 to +60 °C.

Dimensions [mm]	Ø d (inner)	L
BlauFast RKPZ 125	127	302



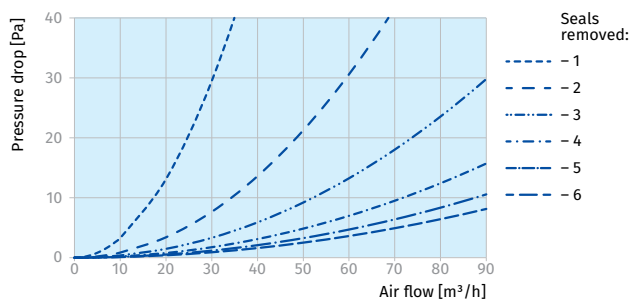
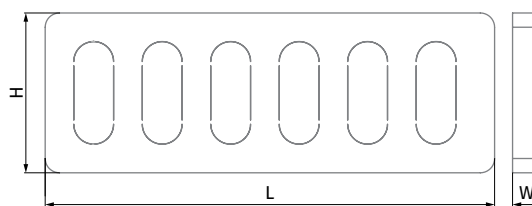
AIR FLOW RESTRICTOR BLAUFast D 300x100

Supply or exhaust ventilation systems of residential spaces.
Adjusting the air flow in the duct.



- Inserted into **BlauFast RPF 300x100** plenums.
- To adjust the air flow, remove the unnecessary seals.
- Operating temperature: from -20 to +60 °C.

Dimensions [mm]	H	L	W
BlauFast D 300x100	112	315	20

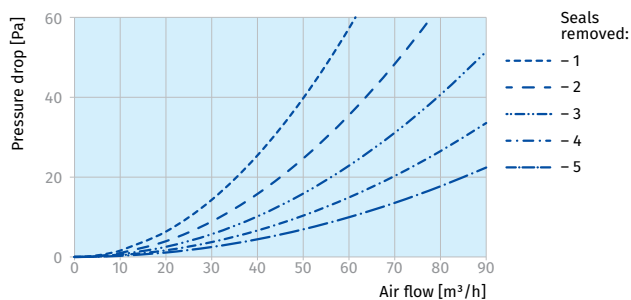


AIR FLOW RESTRICTOR BLAUFast D 125

Supply or exhaust ventilation systems of residential spaces.
Adjusting the air flow in the duct.



- Inserted into **BlauFast RPZ** plenums.
- To adjust the airflow, remove the unnecessary seals.
- Operating temperature: from -20 to +60 °C.



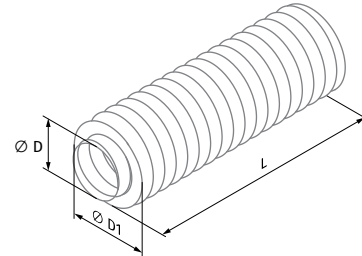
FLEXIBLE INSULATED DUCT BLAUFLEX ISO N

Supply or exhaust ventilation systems of residential spaces. Connecting air handling units to air distribution boxes.



- The duct is made of aluminum foil and laminated with polyether film.
- The duct is fixed to the spigots using clamps or an A-band mounting tape.

Dimensions [mm]	∅ D	∅ D1	L
BlauFlex Iso N/127/7.6	127	152	7.6
BlauFlex Iso N/152/7.6	152	177	7.6
BlauFlex Iso N/162/7.6	162	187	7.6
BlauFlex Iso N/203/7.6	203	228	7.6



Product item	BlauFlex Iso N
Size range [mm]	127; 162; 203
Air duct base	Metallized polyester film (45 µm)
Air duct wire	Steel spring (0.8–1.5 mm thick)
Insulation	Mineral wool (25 mm)
Outer sleeve	Metallized polyester film (45 µm)
Temperature range [°C]	-30...+120
Standard length [m]	7.6
Available lengths (cutting) [m]	7.6
Air speed [m/s]	30
Maximum operating pressure [Pa]	3000

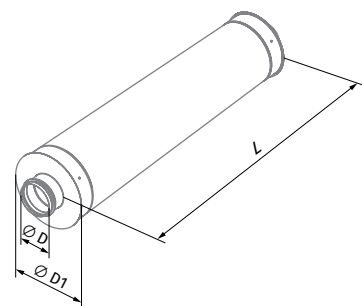
SILENCER SD

Applied for noise absorption produced during the ventilating equipment operation and spread along the ducting systems.



- The galvanized steel casing of the SD silencer is filled with flameproof sound insulating material and equipped with protecting covering against fiber blowing-out.
- The silencers are equipped with connecting flanges with rubber sealing for airtight connection to the air ducts tape.

Dimensions [mm]	∅ D	∅ D1	L
SD 125/900	125	225	900
SD 150/900	149	250	900
SD 160/900	159	252	900
SD 200/900	198	318	900



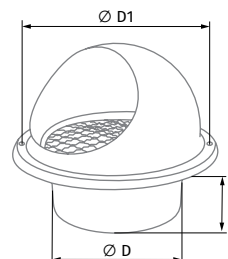
METAL HOOD DECOR S ... HK

Decoration of supply and exhaust ventilation outlets.



- Made of stainless steel.
- Equipped with a protective grid.
- Rubber seals for tight contact to the wall.
- Fixation with screws.

Dimensions [mm]	Cross-sectional area [cm ²]	Ø D	Ø D1	L
Decor S 122 HK	82	120	165	52
Decor S 152 HK	126	145	192	62
Decor S 162 HK	135	155	192	62
Decor S 202 HK	178	195	253	73



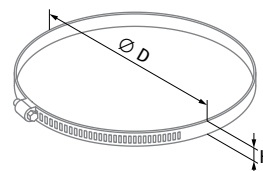
CLAMP K ... ZN

Connecting flexible insulated ducts to spigots of air handling units and to air distribution boxes.



- Made of galvanized steel.

Dimensions [mm]	Ø D	H
K 125 Zn	110-130	9
K 150 Zn	140-160	9
K 160 Zn	150-170	9
K 200 Zn	190-210	9



ALUMINIUM MOUNTING TAPE A-BAND 050/10

Protection against external impacts and sealing of connections of flexible insulated ducts to other system elements.



- Made of aluminium and PET foil covered with glue layer.
- The tape is supplied in rolls and the glue layer is protected with an extra protecting layer.

Dimensions [mm]	A-band 050/10
Length [m]	10
Width L [mm]	50
Total tape thickness [µm]	32
Breaking force	57 N/25 mm ²
Elongation at break [no less %]	3
Adhesiveness	8.25 N/25 mm ²
Temperature of application [°C]	+10...+40
Max. temp. of operating surface [°C]	+100
UV-resistance	+

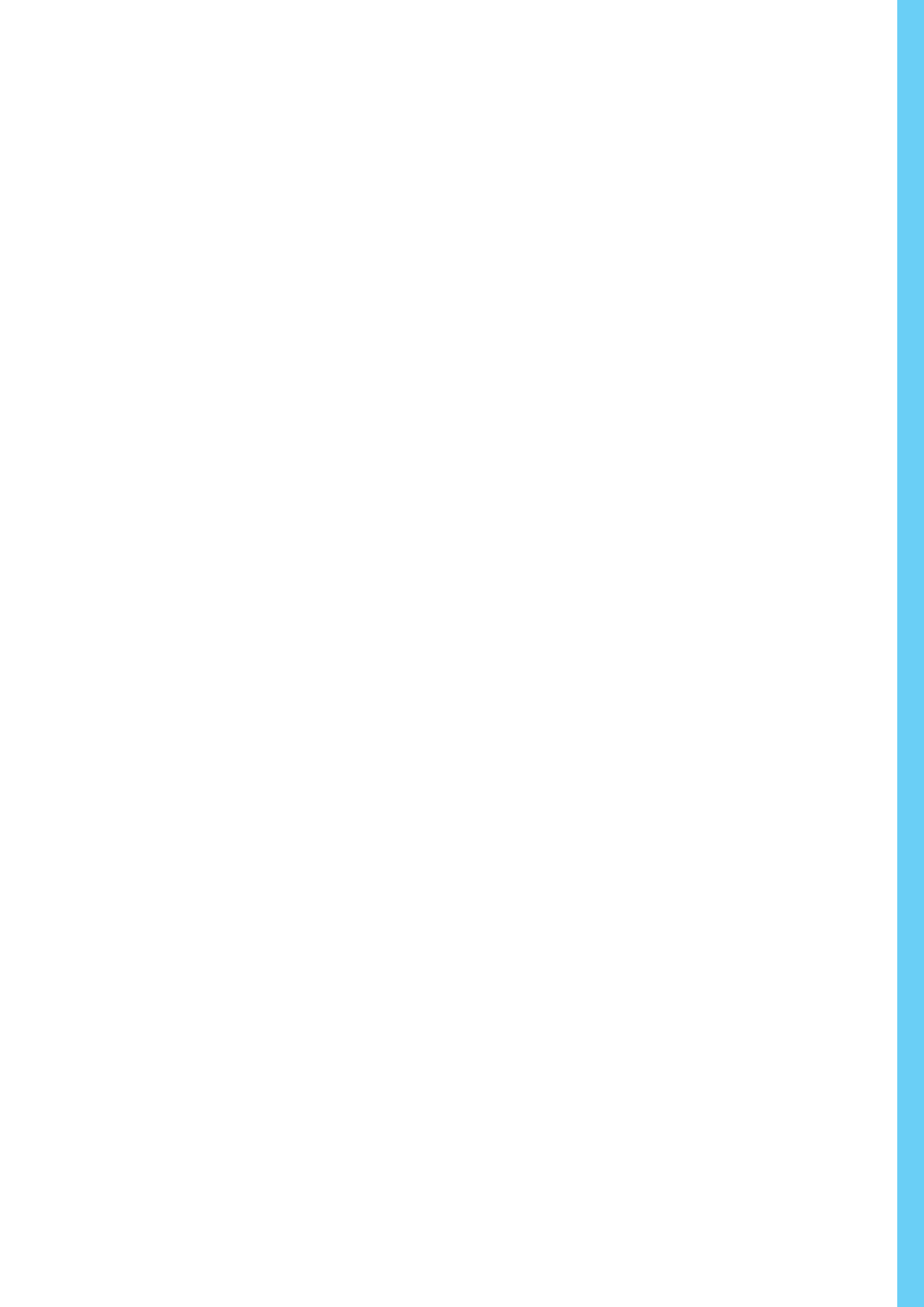
BUTYL RUBBER SEALING TAPE D-BAND 050/15

Sealing of duct/flange connection before casting.



- Made of butyl rubber.
- The tape is supplied in rolls and the glue layer is protected with an extra protecting layer.
- Waterproof.

Dimensions [mm]	D-band 050/15
Length [m]	15
Width [mm]	50
Temperature of application [°C]	+5...+30
Operating temperature [°C]	-20...+70



Blauberg Ventilatoren GmbH
Stäblistraße 6
81477 Munich, Germany
HRB 203341

info@blaubergventilatoren.de
www.blaubergventilatoren.de